



MAGIVALVALVES

---

VALVES FOR INDUSTRIAL APPLICATIONS, Oil & Gas, E&P, refining, petrochemical and power generation markets.





# INDEX

## TRUNNION BALL VALVES

- TRUNNION BALL VALVES MG 1000 05

## DOUBLE BLOCK AND BLEED VALVES

- TRUNNION DOUBLE BLOCK AND BLEED VALVES MG 2500 09

- DOUBLE BLOCK AND BLEED VALVES MG 2000 11

## SPLIT BODY BALL VALVES

- SPLIT BODY BALL VALVES - full bore 15

- SPLIT BODY BALL VALVES - reduced bore 17

## WAFER BALL VALVES

- WAFER BALL VALVES MG20 21

- WAFER THREE WAY BALL VALVE MG22 23

## MONOBLOCK VALVES

- MONOBLOCK THREADED BALL VALVE MG30 27

- MONOBLOCK SOCKET WELD BALL VALVE MG60 29

- MONOBLOCK BUTT WELD BALL VALVE WITH PRE-WELDED NIPPLES MG50 31

- MONOBLOCK BUTT WELD BALL VALVE WITH INTEGRAL NIPPLES MG50I 33

- MONOBLOCK THREE WAY BALL VALVE MG40 35

- MONOBLOCK THREE PIECES BALL VALVE MG24 37

## NEEDLE VALVES

- NEEDLE VALVES F/F MG300 41

- NEEDLE VALVES M/F PRESSURE GAUGE MG350|360|370 43

**CHECK VALVES MG100 45**

**QUALITY AND TEST 47**

Global Supply Line Australia major Magival distributor & stockist, supplying world wide. [www.globalsupplyline.com.au](http://www.globalsupplyline.com.au)

Contact us: [sales@globalsupplyline.com.au](mailto:sales@globalsupplyline.com.au)





# TRUNNION BALL VALVES





# TRUNNION BALL VALVES MG 1000



REF	DESCRIPTION	MATERIAL	MATERIAL	MATERIAL
1	BODY	ASTM A105/ASTM A350 LF2	ASTM A105	AISI A182 F316
2	CLOSURE	ASTM A105/ASTM A350 LF2	ASTM A105	AISI A182 F316
3	BALL	ASTM A350 LF2 + ENP	AISI A182 F316	AISI A182 F316
4	STEM	AISI 4140 + ENP	AISI A182 F316	AISI A182 F316
5	SEAT/INSERT	ASTM A350 LF2 + ENP/DEVLON	AISI A182 F316/DEVLON	AISI A182 F316/DEVLON
6	GLAND PLATE	ASTM A105	ASTM A105	AISI A182 F316
7	BEARING RETAINER	FE 510B UNI 7070	FE 510B UNI 7070	FE 510B UNI 7070
8	ADAPTER PLATE	ASTM A105	ASTM A105	AISI A182 F316
9	STEM BEARING	AISI A182 F316 + PTFE	AISI A182 F316 + PTFE	AISI A182 F316 + PTFE
10	BEARING RETAINER	AISI A182 F316 + PTFE	AISI A182 F316 + PTFE	AISI A182 F316 + PTFE
11	BEARING RETAINER	AISI A182 F316 + PTFE	AISI A182 F316 + PTFE	AISI A182 F316 + PTFE
12	BEARING RETAINER	AISI A182 F316 + PTFE	AISI A182 F316 + PTFE	AISI A182 F316 + PTFE
13	STEM-KEY	CARBON STEEL	CARBON STEEL	CARBON STEEL
14	SUPPORT LEG	FE 360	FE 360	FE 360
15	LIFTING-LUG	FE 360	FE 360	FE 360
16	BODY SEAL	VITON	VITON	VITON
17	SEAT SEAL	VITON	VITON	VITON
18	STEM SEAL	VITON	VITON	VITON
19	GLAND PLATE SEAL	VITON	VITON	VITON
20	STUD	ASTM A193 B7	ASTM A193 B7	ASTM A193 B
21	NUT	ASTM A194 2H	ASTM A194 2H	ASTM A194 GR.8
22	CAP SCREW	8.8	8.8	8.8
23	STEM INJECTOR	ASTM A105 GALVANIZED	ASTM A105 GALVANIZED	AISI A182 F316
24	DRAIN PLUG	ASTM A105 GALVANIZED	ASTM A105 GALVANIZED	AISI A182 F316
25	BODY GASKET	GRAPHITE	GRAPHITE	GRAPHITE
26	SEAT GASKET	GRAPHITE	GRAPHITE	GRAPHITE
27	STEM GASKET	GRAPHITE	GRAPHITE	GRAPHITE
28	GLAND PLATE GASKET	GRAPHITE	GRAPHITE	GRAPHITE
29	SEAT SPRING	INCONEL X750	INCONEL X750	INCONEL X750
30	STUD	ASTM A193 B7	ASTM A193 B7	ASTM A193 B8
31	NUT	ASTM A194 2H	ASTM A194 2H	ASTM A194 GR.8
32	VENT PLUG	ASTM A105 GALVANIZED	ASTM A105 GALVANIZED	AISI A182 F316
33	PIN	CARBON STEEL	CARBON STEEL	CARBON STEEL
34	GEAR OPERATOR			

## Full and Reduced Bore

### STANDARD FEATURES:

- Antiblowout stem
- Operating temperature -29°C+200°C for LF2 (-46°C+200°C)
- Antistatic device
- Painted with our RAL 7031
- ISO 5211 top work drilling
- with lever

### UPON REQUEST:

- RTJ and BW Ends
- Bare Stem
- Locking device
- Seat in different material
- As per customer specification



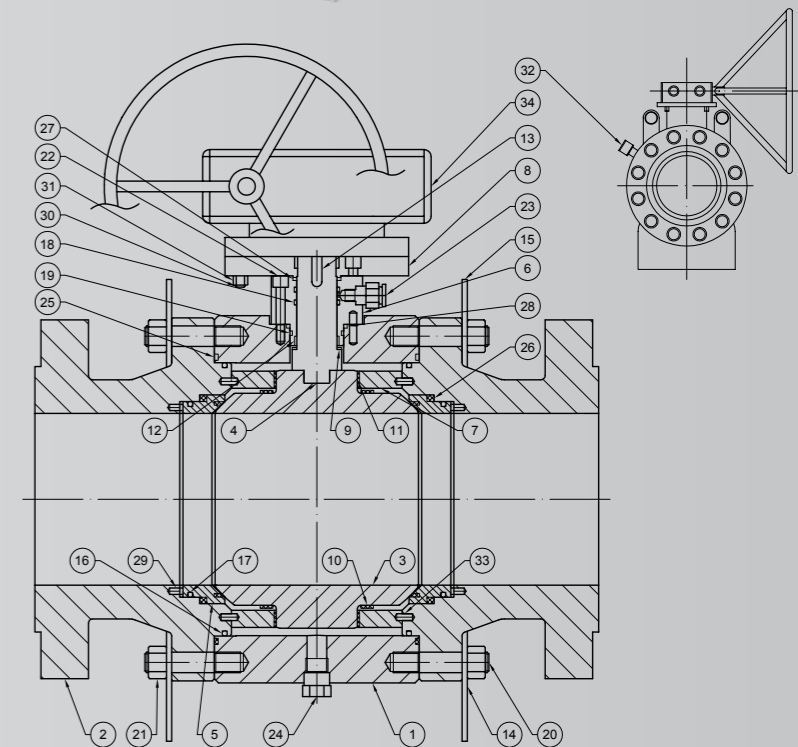
## CERTIFICATIONS

Ball Valves "TRUNNION" **bar stock construction** in according to:

- PED 97/23/CE - API 6D - API 598
- ASME 16.34 ISO 14313
- ANSI B 16.10 - EN 558-1
- ANSI B 16.5 EN 1092-1

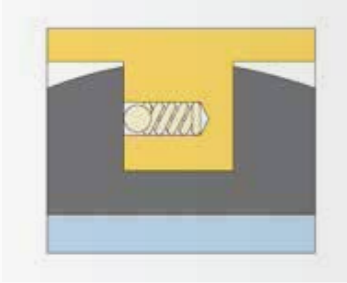
FIRE SAFE according to:

- API 6FA Third Edition
- API 607 Sixth Edition
- ISO 10497

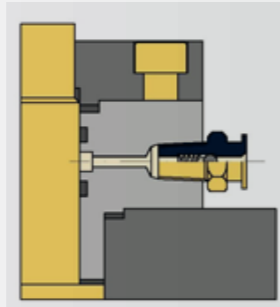


## PARTICULAR TRUNNION BALL VALVES

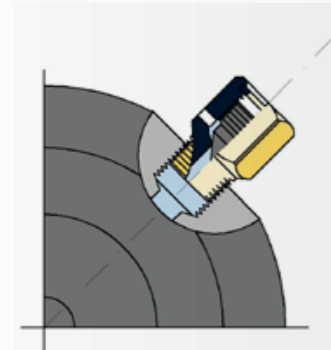
### STANDARD FEATURES



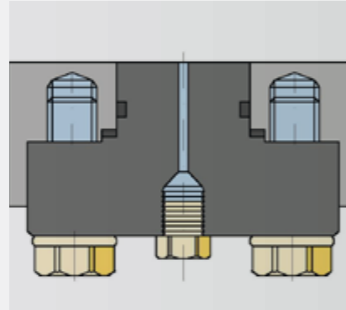
Antistatic device



Stem grease sealant injector

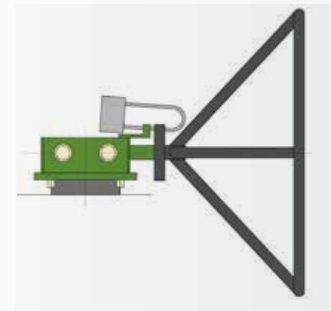


Vent bleeder npt thread - 1/2 - 3/4-1

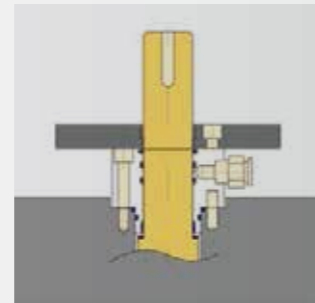


Drain plug on all valves

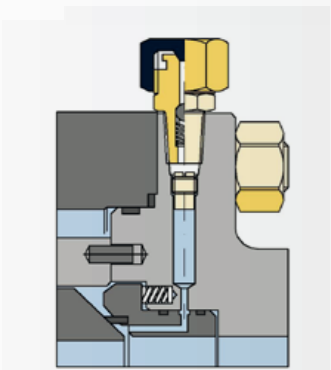
### OPTIONS



Locking device



Bare stem



Seat grease injector

# DOUBLE BLOCK AND BLEED VALVES





# TRUNNION DOUBLE BLOCK AND BLEED VALVES MG 2500

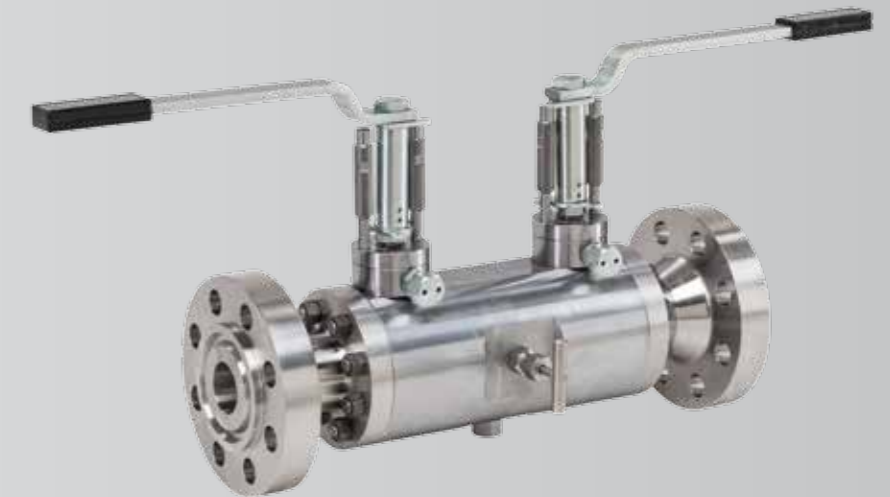


REF	DESCRIPTION	MATERIAL	MATERIAL	MATERIAL
1	BODY	ASTM A105	ASTM A350 LF2	AISI A182 F316
2	CLOSURE	ASTM A105	ASTM A350 LF2	AISI A182 F316
3	BALL	AISI A182 F316	AISI A182 F316	AISI A182 F316
4	STEM	AISI A182 F316	AISI A182 F316	AISI A182 F316
5	SEAT/INSERT	AISI A182 F316/DEVLON	AISI A182 F316/DEVLON	AISI A182 F316/DEVLON
6	GLAND PLATE	ASTM A105	ASTM A105	AISI A182 F316
7	BEARING RETAINER	FE 510B UNI 7070	FE 510B UNI 7070	FE 510B UNI 7070
8	ADAPTER PLATE	ASTM A105	ASTM A105	AISI A182 F316
9	STEM BEARING	AISI 316 + PTFE	AISI 316 + PTFE	AISI 316 + PTFE
10	BALL BEARING	AISI 316 + PTFE	AISI 316 + PTFE	AISI 316 + PTFE
11	BALL BEARING	AISI 316 + PTFE	AISI 316 + PTFE	AISI 316 + PTFE
12	STEM BEARING	AISI 316 + PTFE	AISI 316 + PTFE	AISI 316 + PTFE
13	BODY SEAL	VITON	VITON	VITON
14	SEAT SEAL	VITON	VITON	VITON
15	STEM SEAL	VITON	VITON	VITON
16	GLAND PLATE SEAL	VITON	VITON	VITON
17	STUD	ASTM A193 B7	ASTM A193 B7	ASTM A193 B7
18	NUT	ASTM A194 2H	ASTM A194 2H	ASTM A194 2H
19	CAPSCREW	8.8	8.8	8.8
20	STEM INJECTOR	ASTM A105	ASTM A105	ASTM A105
21	PLUG	ASTM A105	ASTM A105	ASTM A105
22	BODY GASKET	GRAPHITE	GRAPHITE	GRAPHITE
23	SEAT GASKET	GRAPHITE	GRAPHITE	GRAPHITE
24	STEM GASKET	GRAPHITE	GRAPHITE	GRAPHITE
25	GLAND PLATE GASKET	GRAPHITE	GRAPHITE	GRAPHITE
26	SPRING	INCONEL X718	INCONEL X718	INCONEL X718
27	LEVER	CS GALVANIZED	CS GALVANIZED	CS GALVANIZED
28	STOP	CS GALVANIZED	CS GALVANIZED	CS GALVANIZED
29	NUT	CS GALVANIZED	CS GALVANIZED	CS GALVANIZED
30	PIN	CARBON STEEL	CARBON STEEL	CARBON STEEL

## Full and Reduced Bore

### STANDARD FEATURES:

- Antiblowlout stem
- Operating temperature -29°C+200°C - for LF2 (-46°C+200°C)
- Antistatic device
- RTJ Ends
- THD x THD
- THD x FLG
- ISO 5211 top work drilling



### UPON REQUEST:

- Locking device
- Lever extension
- Bare stem
- As per customer specification

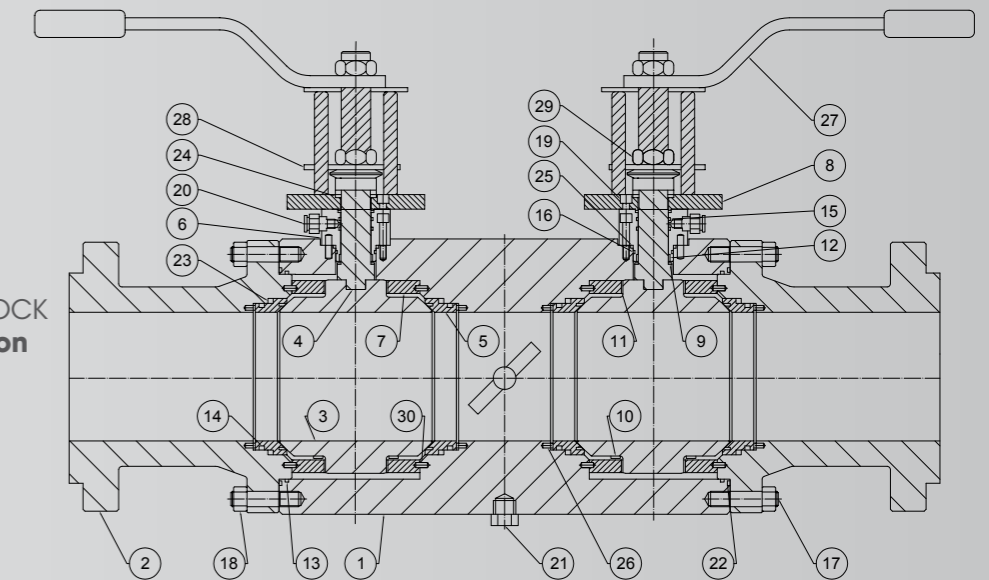
### CERTIFICATIONS

Ball Valves "TRUNNION DOUBLE BLOCK AND BLEED" **bar stock construction** in according to:

- PED 97/23/CE - API 6D - API 598
- ASME 16.34 ISO 14313
- ANSI B 16.10 - EN 558-1
- ANSI B 16.5 EN 1092-1

FIRE SAFE according to:

- API 6FA Third Edition
- API 607 Sixth Edition
- ISO 10497



# DOUBLE BLOCK AND BLEED VALVES MG 2000



REF	DESCRIPTION	MATERIAL	MATERIAL	MATERIAL
1	BODY	ASTM A105	ASTM A350 LF2	AISI A182 F316
2	CLOSURE	ASTM A105	ASTM A350 LF2	AISI A182 F316
3	BALL	AISI A182 F316	AISI A182 F316	AISI A182 F316
4	STEM	AISI A182 F316	AISI A182 F316	AISI A182 F316
5	STOP	GALVANIZED STEEL	GALVANIZED STEEL	GALVANIZED STEEL
6	NUTS	GR.6S GALVANIZED	GR.6S GALVANIZED	GR.6S GALVANIZED
7	SEAT	RPTFE/DELRIN*	RPTFE/DELRIN*	RPTFE/DELRIN*
8	LEVER	GALVANIZED STEEL	GALVANIZED STEEL	GALVANIZED STEEL
9	PRESSING BUSH	ASTM A105 GALVANIZED	ASTM A350 LF2 GALVANIZED	ASTM A105 GALVANIZED
10	STOP	GALVANIZED STEEL	GALVANIZED STEEL	GALVANIZED STEEL
11	O-RING	VITON	VITON	VITON
12	GASKET	GRAPHITE	GRAPHITE	GRAPHITE
13	SPRING	C.72 GALVANIZED	C.72 GALVANIZED	C.72 GALVANIZED
14	STEM GASKETS	RPTFE	RPTFE	RPTFE
15	BOLTS	ASTM A193 B7	ASTM A320 L7	ASTM A193 B7
16	MOVING STOPPER	AISI A182 F316	AISI A182 F316	AISI A182 F316
17	NEEDLE STEM	AISI A182 F316	AISI A182 F316	AISI A182 F316
18	GASKETS	KLINGERITE	KLINGERITE	KLINGERITE
19	HEADWORK	ASTM A105	ASTM A350 LF2	AISI A182 F316
20	COVER	ASTM A105	ASTM A350 LF2	AISI A182 F316
21	PACKING	PTFE	PTFE	PTFE
22	GLAND	ASTM A105	ASTM A350 LF2	AISI A182 F316
23	T-BAR	ASTM A105 GALVANIZED	ASTM A350 LF2 GALVANIZED	AISI A182 F316

## Full and Reduced Bore

### STANDARD FEATURES:

- Antiblowout stem
- Operating temperature -29°C+200°C - for LF2 (-46°C+200°C)
- Antistatic device
- RTJ Ends
- THD x THD
- THD x FLG
- ISO 5211 top work drilling

### UPON REQUEST:

- Locking device
- Lever extension
- As per customer specification
- Bare stem

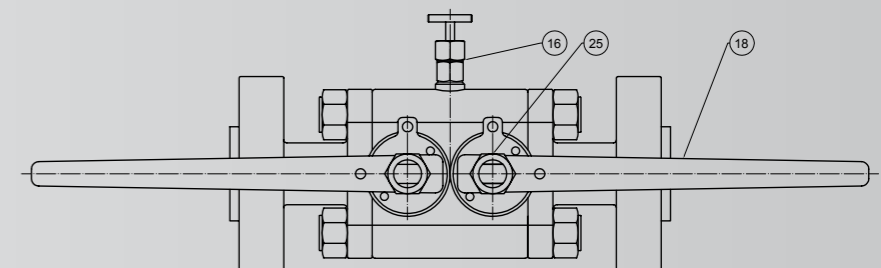
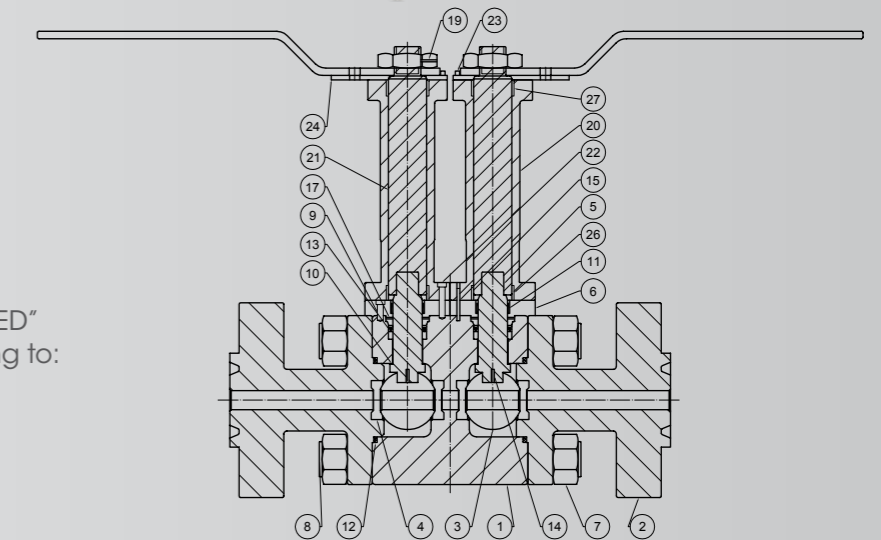
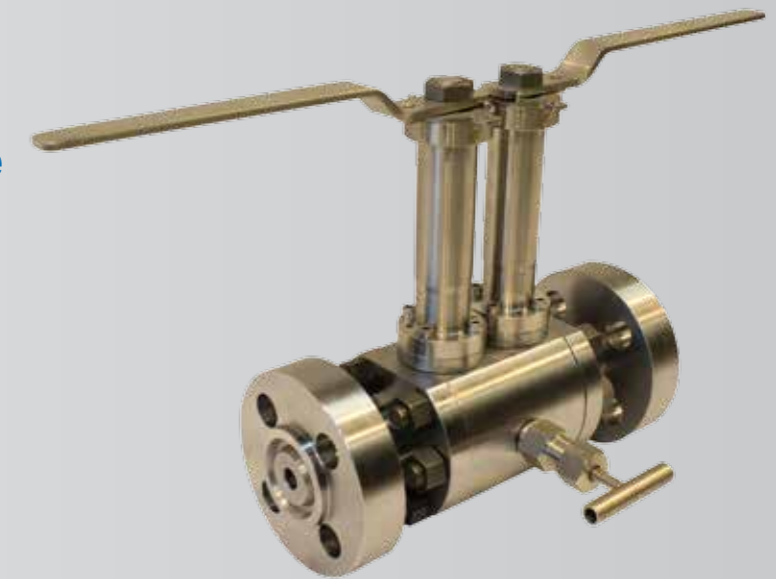
### CERTIFICATIONS

Ball Valves "DOUBLE BLOCK AND BLEED" **bar stock construction** in according to:

- PED 97/23/CE - API 6D - API 598
- ASME 16.34 ISO 14313
- ANSI B 16.10 - EN 558-1
- ANSI B 16.5 EN 1092-1

FIRE SAFE according to:

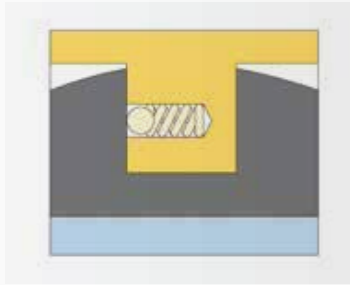
- API 6FA Third Edition
- API 607 Sixth Edition
- ISO 10497



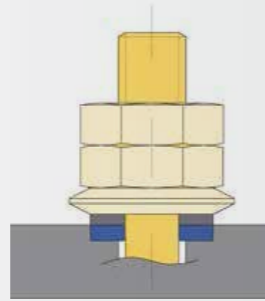


## PARTICULAR DOUBLE BLOCK AND BLEED VALVES

### STANDARD FEATURES



Antistatic device



Bare stem

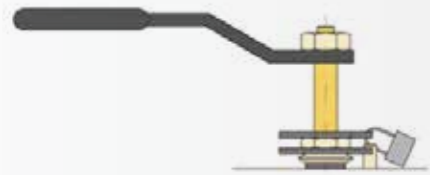
### OPTIONS



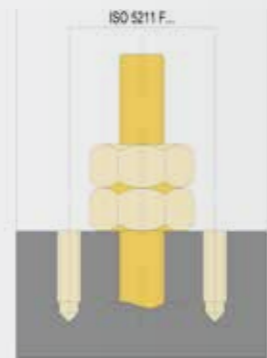
Locking device



Extended stem



Extended stem and locking device



ISO 5211 - TOP DRILLING WORK

#### Full bore

SIZE	1/2"	3/4"	1"	1.1/4"	1.1/2"	2"	2.1/2"	3"	4"	5"	6"	8"
ISO 5211	F 03	F 03	F 03	F 04	F 04	F 05	F 07	F 07	F 07	F 10	F 10	F 14

#### Reduced bore

SIZE	1/2"	3/4"	1"	1.1/4"	1.1/2"	2"	2.1/2"	3"	4"	5"	6"	8"
ISO 5211	F 03	F 03	F 03	F 03	F 04	F 04	F 05	F 05	F 07	F 07	F 07	F 10

# SPLIT BODY BALL VALVES





# SPLIT BODY BALL VALVES



REF	DESCRIPTION	MATERIAL	MATERIAL	MATERIAL
1	BODY	ASTM A105	ASTM A182 F316L	ASTM A350 LF2
2	CLOSURE	ASTM A105	ASTM A182 F316L	ASTM A350 LF2
3	BALL	ASTM A182 F316L	ASTM A182 F316L	ASTM A182 F316L
4	STEM	ASTM A182 F316L	ASTM A182 F316L	ASTM A182 F316L
5	STOP	GALVANIZED STEEL	GALVANIZED STEEL	GALVANIZED STEEL
6	NUTS	GR.6S GALVANIZED	GR.6S GALVANIZED	GR.6S GALVANIZED
7	SEATS	RPTFE/DELRIN*	RPTFE/DELRIN*	RPTFE/DELRIN*
8	LEVER	GALVANIZED STEEL	GALVANIZED STEEL	GALVANIZED STEEL
9	PRESSING BUSH	ASTM A105 GALVANIZED	ASTM A105 GALVANIZED	A350 LF2 GALVANIZED
10	STOP	GALVANIZED STEEL	GALVANIZED STEEL	GALVANIZED STEEL
11	O-RING	VITON	VITON	VITON
12	GASKET	GRAPHITE	GRAPHITE	GRAPHITE
13	SPRING	C.72 GALVANIZED	C.72 GALVANIZED	C.72 GALVANIZED
14	STEM GASKETS	RPTFE	RPTFE	RPTFE
15	BOLTS	8.8 GALVANIZED *	8.8 GALVANIZED *	ASTM A320 L7

\* FROM #150 TO #600 (RPTFE)      \* FROM #300 TO #2500 (A193 B7)  
 FROM #900 TO #2500 (DERLIN)

SIZE	15	20	25	32	40	50	65	80	100	125	150	
	1/2"	3/4"	1"	1 1/4"	1 1/2"	2"	2 1/2"	3"	4"	5"	6"	
PN 16/40	L	115	120	125	130	140	150	170	180	190	325	350
	D	14	20	25	32	38	48	65	75	94	119	145
	A	150	185	185	285	285	285	380	380	460	460	460
	H	75	90	90	100	105	115	150	160	185	200	225
ANSI 150	L	108	117	127	140	165	178	190	203	229	254	267
	D	14	20	25	32	38	48	65	75	94	119	145
	R	88	98	107	117	127	152	177	190	228	254	279
	A	150	185	185	285	285	285	380	380	460	460	460
ANSI 600	L	75	90	90	100	105	115	150	160	185	200	225
	D	14	20	25	32	38	48	65	75	94		
	R	95	117	123	133	155	165	190	209	273		
	A	150	185	185	285	285	285	380	380	590		
ANSI 300	L	140	152	165	178	190	216	241	282	305	381	403
	D	14	20	25	32	38	48	65	75	94	119	145
	R	95	117	123	133	155	165	190	209	254	279	317
	A	150	185	185	285	285	285	380	380	460	460	GEAR
ANSI 600	L	75	90	90	100	105	115	150	160	185	200	258
	D	14	20	25	32	38	48	65	75	94		
	R	95	117	123	133	155	165	190	209	273		
	A	150	185	185	285	285	285	380	380	590		

SIZE	15	20	25	32	40	50	65	80	100	125	150	
	1/2"	3/4"	1"	1 1/4"	1 1/2"	2"	2 1/2"	3"	4"	5"	6"	
ANSI 900/1500	L	216	229	254		305	368					
	D	14	20	25		38	48					
	R	120	130	149		177	215					
	A	150	185	185		285	380					
ANSI 2500	H	75	105	120		105	115					
	L	273	308	356		384						
	D	14	20	25		38						
	R	133	139	158		203						
ANSI 600	A	150	185	185		285						
	H	75	90	90		130						

## Full Bore

### STANDARD FEATURES:

- Antiblowout stem
- Operating temperature -29°C+200°C - for LF2 (-46°C+200°C)
- Antistatic device
- Painted with our RAL 7031
- ISO 5211 top work drilling
- ISO 3202 face to face



### UPON REQUEST:

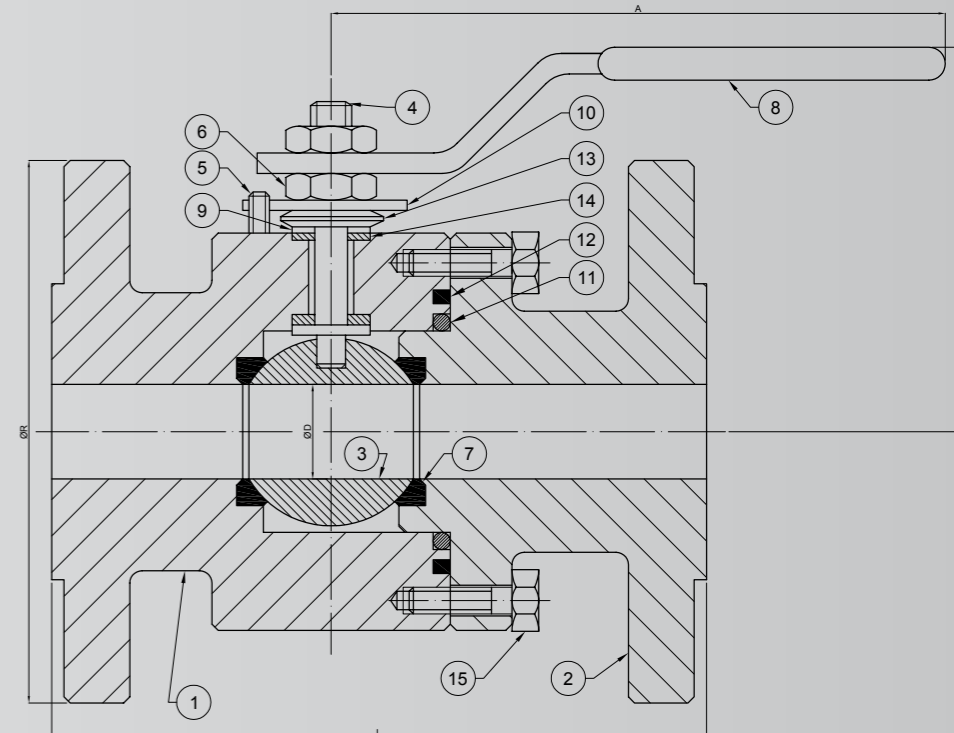
- RTJ Ends
- Special Face to face dimension
- Seat and seal in different materials
- Locking device
- Lever extension
- Metal to metal Valves
- As per customer specification

## CERTIFICATIONS

Ball Valves "SPLIT BODY" **bar stock construction** in according to:

- PED 97/23/CE - API 6D - API 598
- ASME 16.34 ISO 14313
- ANSI B 16.10 - EN 558-1
- ANSI B 16.5 EN 1092-1

- FIRE SAFE according to:
- API 6FA Third Edition
  - API 607 Sixth Edition
  - ISO 10497





# SPLIT BODY BALL VALVES



REF	DESCRIPTION	MATERIAL	MATERIAL	MATERIAL
1	BODY	ASTM A105	ASTM A182 F316L	ASTM A350 LF2
2	CLOSURE	ASTM A105	ASTM A182 F316L	ASTM A350 LF2
3	BALL	ASTM A182 F316L	ASTM A182 F316L	ASTM A182 F316L
4	STEM	ASTM A182 F316L	ASTM A182 F316L	ASTM A182 F316L
5	STOP	GALVANIZED STEEL	GALVANIZED STEEL	GALVANIZED STEEL
6	NUTS	GR.6S GALVANIZED	GR.6S GALVANIZED	GR.6S GALVANIZED
7	SEATS	RPTFE/DELTRIN*	RPTFE/DELTRIN*	RPTFE/DELTRIN*
8	LEVER	GALVANIZED STEEL	GALVANIZED STEEL	GALVANIZED STEEL
9	PRESSING BUSH	ASTM A105 GALVANIZED	ASTM A105 GALVANIZED	A350 LF2 GALVANIZED
10	STOP	GALVANIZED STEEL	GALVANIZED STEEL	GALVANIZED STEEL
11	O-RING	VITON	VITON	VITON
12	GASKET	GRAPHITE	GRAPHITE	GRAPHITE
13	SPRING	C.72 GALVANIZED	C.72 GALVANIZED	C.72 GALVANIZED
14	STEM GASKETS	RPTFE	RPTFE	RPTFE
15	BOLTS	8.8 GALVANIZED *	8.8 GALVANIZED *	ASTM A320 L7

SIZE	15	20	25	32	40	50	65	80	100	125	150	200	
	1/2"	3/4"	1"	1 1/4"	1 1/2"	2"	2 1/2"	3"	4"	5"	6"	8"	
PN 16/40	L	120	120	125	130	140	150	170	180	190			
	D1	20	20	25	32	40	50	65	80	100			
	D	14	14	20	25	32	38	48	48	75			
	A	150	150	185	185	285	285	285	285	380			
	H	90	90	90	100	105	105	105	120	207			
ANSI 150	L	117	117	127	140	165	178	190	203	229	254	267	292
	D1	20	20	25	32	40	50	65	80	100	125	150	200
	D	14	14	20	25	32	38	48	48	75	94	94	144
	R	98	98	107	117	127	152	177	190	228	254	279	342
	A	150	150	185	185	285	285	285	285	380	460	590	590
H	90	90	90	100	105	105	105	120	207	220	225		

\* FROM #150 TO #600 (RPTFE)  
 FROM #900 TO #2500 (DERLIN)  
 \* FROM #300 TO #2500 (A193 B7)

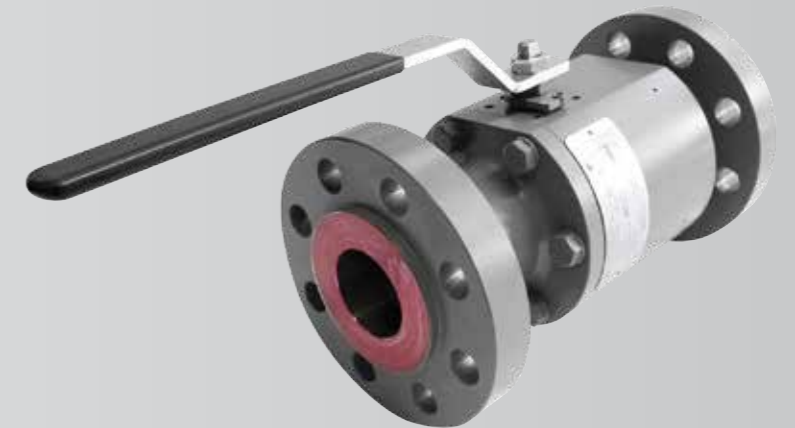
SIZE	15	20	25	32	40	50	65	80	100	125	150	
	1/2"	3/4"	1"	1 1/4"	1 1/2"	2"	2 1/2"	3"	4"	5"	6"	
ANSI 300	L	152	152	165	178	190	216	241	282	305	381	403
	D1	20	20	25	32	40	50	65	80	100	125	150
	D	14	14	20	25	32	38	48	48	75	94	94
	R	117	117	123	133	155	165	190	209	254	279	317
	A	150	150	185	185	285	285	285	285	380	460	590
H	90	90	90	100	105	105	105	120	207	220	220	
ANSI 600	L	190	190	216	229	241	292	330	355	432	502	559
	D1	20	20	25	32	40	50	65	80	100	125	150
	D	14	14	20	25	32	38	48	48	75	94	94
	R	117	117	123	133	155	165	190	209	273	330	335
	A	150	150	185	185	285	285	285	285	380	460	590
H	90	90	90	100	105	105	105	120	207	220	220	

SIZE	15	20	25	32	40	50	65	80	100	125	150	
	1/2"	3/4"	1"	1 1/4"	1 1/2"	2"	2 1/2"	3"	4"	5"	6"	
ANSI 900/1500	L	229	229	254		305	368					
	D1	20	20	25		40	50					
	D	14	14	20		32	38					
	R	130	130	149		177	215					
	A	150	150	185		285	285					
H	90	90	90		130	112						
ANSI 2500	L	308	308	356		384	451					
	D1	20	20	25		40	50					
	D	14	14	20		32	38					
	R	139	139	158		203	234					
	A	150	150	185		285	285					
H	90	90	90		130	130						

## Reduced Bore

### STANDARD FEATURES:

- Antiblowout stem
- Operating temperature -29°C+200°C - for LF2 (-46°C+200°C)
- Antistatic device
- Painted with our RAL 7031
- ISO 5211 top work drilling
- ISO 3202 face to face



### UPON REQUEST:

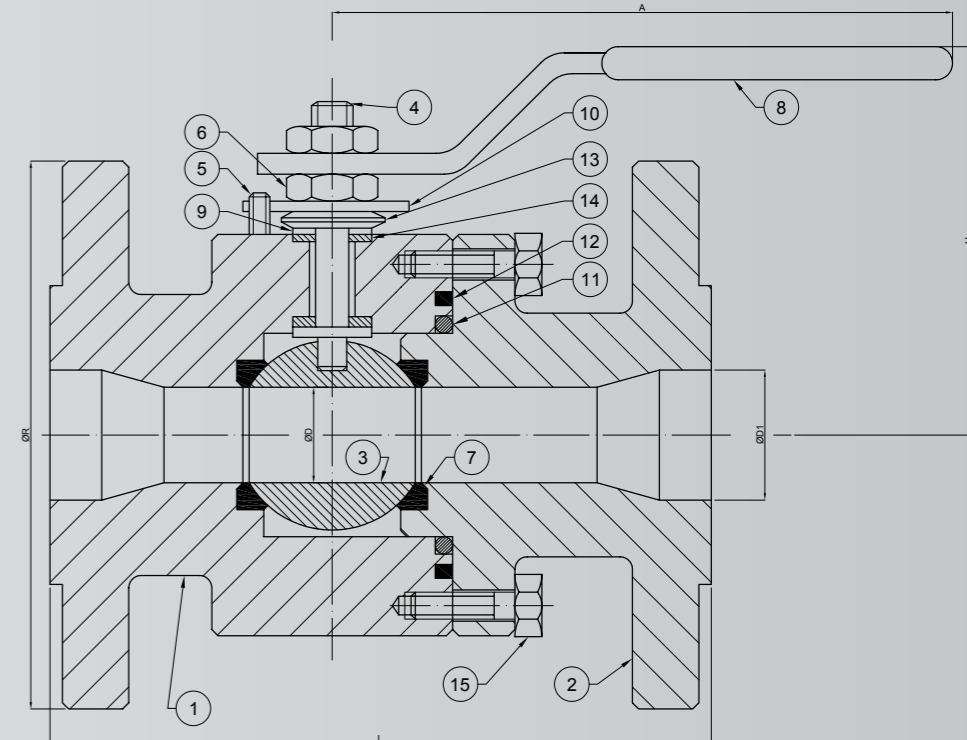
- RTJ Ends
- Special Face to face dimension
- Seat and seal in different materials
- Locking device
- Lever extension
- Metal to metal Valves
- As per customer specification

### CERTIFICATIONS

Ball Valves "SPLIT BODY" **bar stock construction** in according to:

- PED 97/23/CE - API 6D - API 598
- ASME 16.34 ISO 14313
- ANSI B 16.10 - EN 558-1
- ANSI B 16.5 EN 1092-1

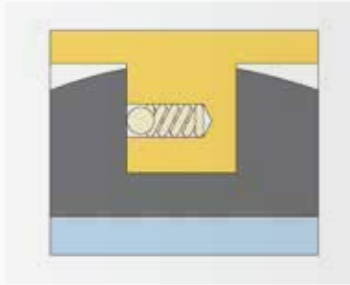
- FIRE SAFE according to:
- API 6FA Third Edition
  - API 607 Sixth Edition
  - ISO 10497



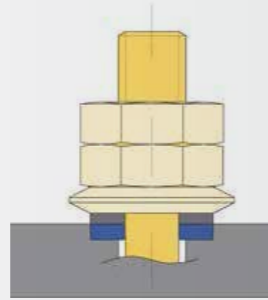


## PARTICULAR SPLIT BODY BALL VALVES

### STANDARD FEATURES



Antistatic device

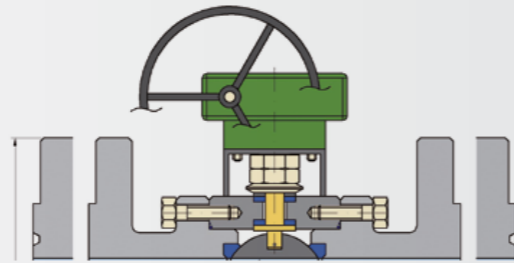


Bare stem

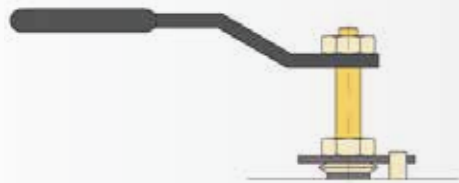
### OPTIONS



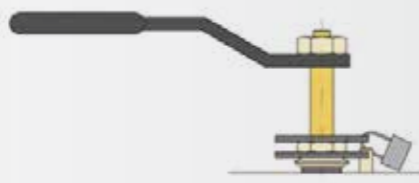
Locking device



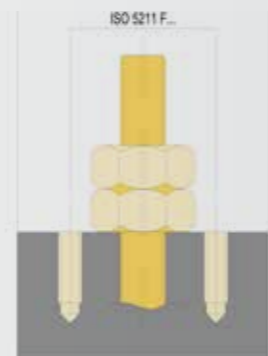
Gear operator



Extended stem



Extended stem  
and locking device



ISO 5211 -  
TOP DRILLING WORK

#### Full bore

SIZE	1/2"	3/4"	1"	1.1/4"	1.1/2"	2"	2.1/2"	3"	4"	5"	6"	8"
ISO 5211	F 03	F 03	F 03	F 04	F 04	F 05	F 07	F 07	F 07	F 10	F 10	F 14

#### Reduced bore

SIZE	1/2"	3/4"	1"	1.1/4"	1.1/2"	2"	2.1/2"	3"	4"	5"	6"	8"
ISO 5211	F 03	F 03	F 03	F 03	F 04	F 04	F 05	F 05	F 07	F 07	F 07	F 10

# WAFER BALL VALVES





# WAFER BALL VALVES MG 20



REF	DESCRIPTION	MATERIAL	MATERIAL	MATERIAL
1	BODY	ASTM A105	ASTM A182 F316L	ASTM A350 LF2
2	CLOSURE	ASTM A105	ASTM A182 F316L	ASTM A350 LF2
3	BALL	ASTM A182 F316L	ASTM A182 F316L	ASTM A182 F316L
4	STEM	ASTM A182 F316L	ASTM A182 F316L	ASTM A182 F316L
5	STOP	GALVANIZED STEEL	GALVANIZED STEEL	GALVANIZED STEEL
6	NUTS	GR.6S GALVANIZED	GR.6S GALVANIZED	GR.6S GALVANIZED
7	SEATS	RPTFE/DELRIN	RPTFE/DELRIN	RPTFE/DELRIN
8	LEVER	GALVANIZED STEEL	GALVANIZED STEEL	GALVANIZED STEEL
9	PRESSING BUSH	ASTM A105 GALVANIZED	ASTM A105 GALVANIZED	A350 LF2 GALVANIZED
10	STOP	GALVANIZED STEEL	GALVANIZED STEEL	GALVANIZED STEEL
11	O-RING	VITON	VITON	VITON
12	SPRING	C.72 GALVANIZED	C.72 GALVANIZED	C.72 GALVANIZED
13	STEM GASKETS	RPTFE	RPTFE	RPTFE

## Full Bore

### STANDARD FEATURES:

- Antiblowout stem
- Operating temperature -29°C+200°C - for LF2 (-46°C+200°C)
- Antistatic device
- Painted with our RAL 7031
- ISO 5211 top work drilling



### UPON REQUEST:

- Locking device
- Lever extension
- Bare stem
- As per customer specification

SIZE	15	20	25	32	40	50	65	80	100	125	150	
	1/2"	3/4"	1"	1 1/4"	1 1/2"	2"	2 1/2"	3"	4"	5"	6"	
PN 16/40	L	35	43	46	55	66	73	98	120	140	177	210
	L1	35	43	46	55	66	80	107	120	152	177	240
	A	150	185	185	285	285	285	380	380	460	460	460
	D	14	20	25	32	38	48	65	75	94	118	144
ANSI 150	L	35	43	46	55	66	73	98	120	140	177	210
	L1	35	43	46	55	66	80	107	120	152	177	240
	A	150	185	185	285	285	285	380	380	460	460	460
	D	14	20	25	32	38	48	65	75	94	118	144

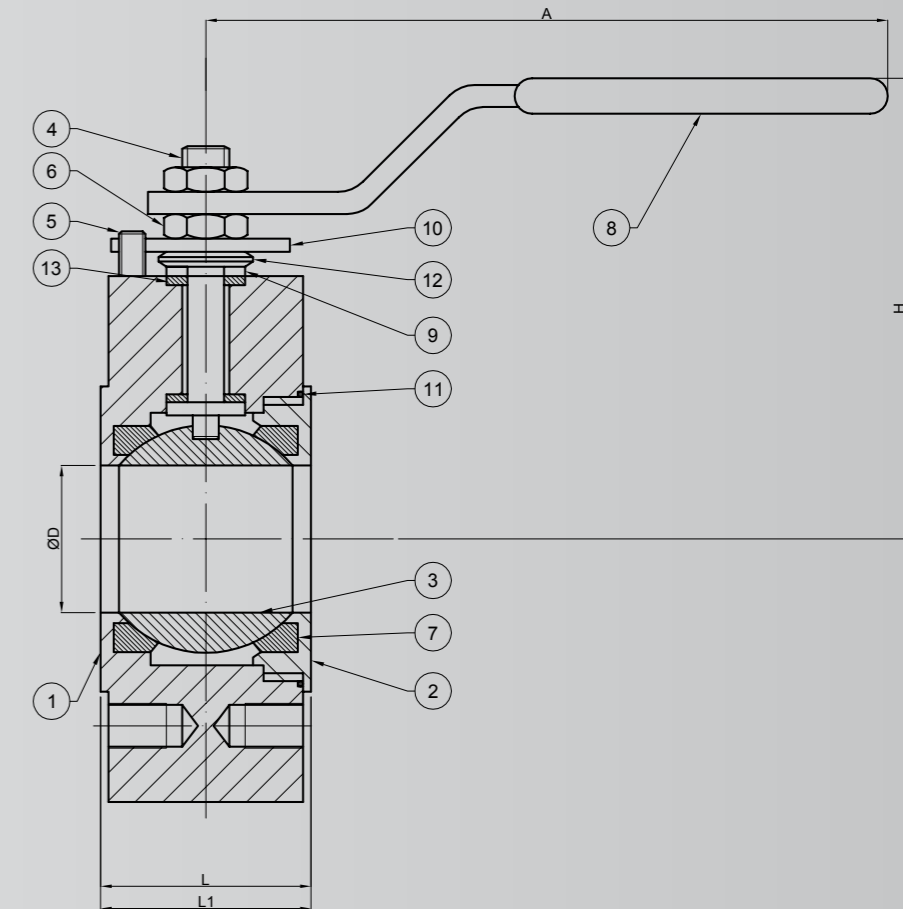
SIZE	15	20	25	32	40	50	65	80	100	125	150	
	1/2"	3/4"	1"	1 1/4"	1 1/2"	2"	2 1/2"	3"	4"	5"	6"	
ANSI 300	L	35	43	46	55	66	73	98	120	140	177	210
	L1	35	43	46	55	66	80	107	120	152	177	240
	A	150	185	185	285	285	285	380	380	460	460	460
	D	14	20	25	32	38	48	65	75	94	118	144
ANSI 600	L	40	43	53	55	73	80					
	A	150	185	185	285	285	285					
	D	14	20	25	32	38	48					

## CERTIFICATIONS

Ball Valves "WAFER" **bar** stock construction in according to:

- PED 97/23/CE - API 598
- ASME 16.34 ISO 14313
- ANSI B 16.10 - EN 558-1
- ANSI B 16.5 EN 1092-1

- FIRE SAFE according to:
- API 6FA Third Edition
  - API 607 Sixth Edition
  - ISO 10497





# WAFER BALL VALVES MG 22



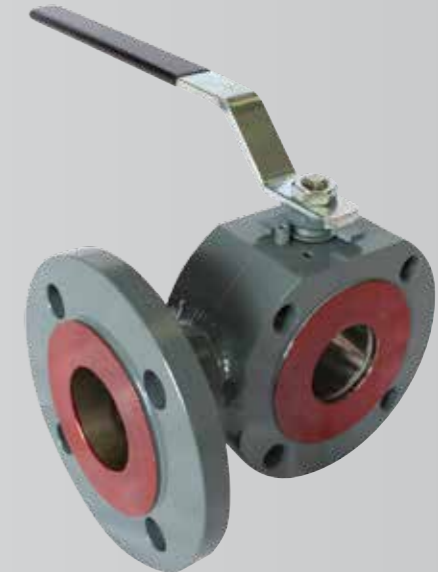
REF	DESCRIPTION	MATERIAL	MATERIAL	MATERIAL
1	BODY	ASTM A105	ASTM A182 F316L	ASTM A350 LF2
2	CLOSURE	ASTM A105	ASTM A182 F316L	ASTM A350 LF2
3	BALL	ASTM A182 F316L	ASTM A182 F316L	ASTM A182 F316L
4	STEM	ASTM A182 F316L	ASTM A182 F316L	ASTM A182 F316L
5	STOP	GALVANIZED STEEL	GALVANIZED STEEL	GALVANIZED STEEL
6	NUTS	GR.6S GALVANIZED	GR.6S GALVANIZED	GR.6S GALVANIZED
7	SEATS	RPTFE/DELRIN	RPTFE/DELRIN	RPTFE/DELRIN*
8	LEVER	GALVANIZED STEEL	GALVANIZED STEEL	GALVANIZED STEEL
9	PRESSING BUSH	ASTM A105 GALVANIZED	ASTM A105 GALVANIZED	A350 LF2 GALVANIZED
10	STOP	GALVANIZED STEEL	GALVANIZED STEEL	GALVANIZED STEEL
11	O-RING	VITON	VITON	VITON
12	SPRING	C.72 GALVANIZED	C.72 GALVANIZED	C.72 GALVANIZED
13	STEM GASKETS	RPTFE	RPTFE	RPTFE

## WAFER THREE WAY

### Full Bore

#### STANDARD FEATURES:

- Antiblowout stem
- Operating temperature -29°C+200°C - for LF2 (-46°C+200°C)
- Antistatic device
- Painted with our RAL 7031
- ISO 5211 top work drilling
- Three way ball valve "L"



#### UPON REQUEST:

- Locking device
- Lever extension
- Bare stem
- As per customer specification

SIZE	15	20	25	32	40	50	65	80	100	125	150	
	1/2"	3/4"	1"	1,1/4"	1,1/2"	2"	2,1/2"	3"	4"	5"	6"	
PN 16/40	L	35	43	46	55	66	73	98	120	140	177	210
	L1	35	43	46	55	66	80	107	120	152	177	240
	A	150	185	185	285	285	285	380	381	460	460	460
	D	14	20	25	32	38	48	65	75	94	118	144
	V	85	90	90	105	120	130	150	175	185		
ANSI 150	L	35	43	46	55	66	73	98	120	140	177	210
	L1	35	43	46	55	66	80	107	120	152	177	240
	A	150	185	185	285	285	285	380	380	460	460	460
	D	14	20	25	32	38	48	65	75	94	118	144
	V	95	90	90	105	120	130	150	175	185		

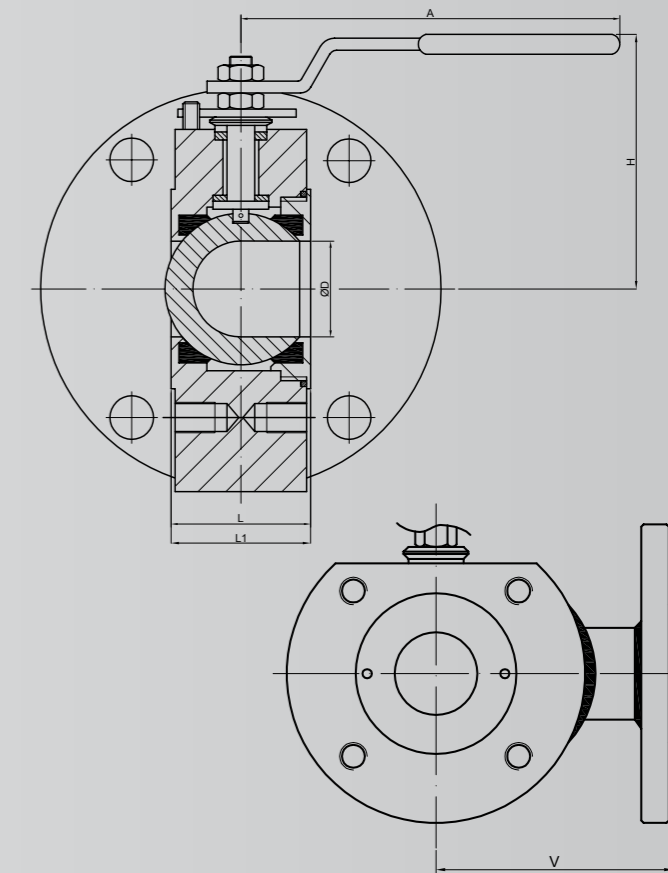
SIZE	15	20	25	32	40	50	65	80	100	125	150	
	1/2"	3/4"	1"	1,1/4"	1,1/2"	2"	2,1/2"	3"	4"	5"	6"	
800 PSI	L	35	43	46	55	66	73	98	120	140	177	210
	L1	35	43	46	55	66	80	107	120	152	177	240
	A	150	185	185	285	285	285	380	380	460	460	460
	D	14	20	25	32	38	48	65	75	94	118	144
	V	85	90	90	105	120	130	150	175	185		

#### CERTIFICATIONS

Ball Valves "WAFER THREE WAY" **bar stock construction** in according to:

- PED 97/23/CE - API 598
- ASME 16.34 ISO 14313
- ANSI B 16.10 - EN 558-1
- ANSI B 16.5 EN 1092-1

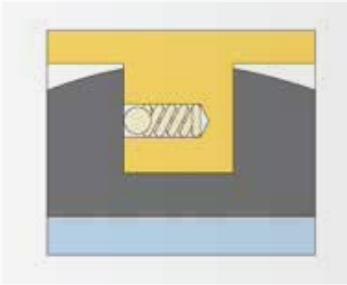
- FIRE SAFE according to:
- API 6FA Third Edition
  - API 607 Sixth Edition
  - ISO 10497



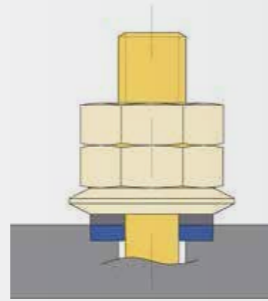


## PARTICULAR WAFER BALL VALVES

### STANDARD FEATURES



Antistatic device



Bare stem

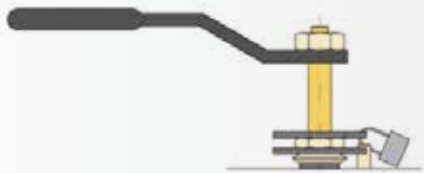
### OPTIONS



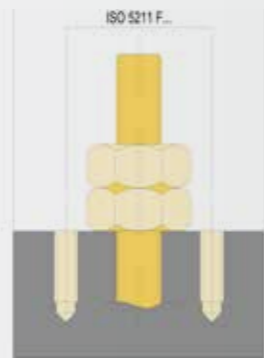
Locking device



Extended stem



Extended stem and locking device



ISO 5211 - TOP DRILLING WORK

SIZE	1/2"	3/4"	1"	1.1/4"	1.1/2"	2"	2.1/2"	3"	4"	5"	6"
ISO 5211	F 03	F 03	F 03	F 03	F 05	F 05	F 05	F 07	F 07	F 10	F 10

# MONOBLOCK VALVES





# MONOBLOCK VALVES MG 30

THREADED BALL VALVE

REF	DESCRIPTION	MATERIAL	MATERIAL	MATERIAL
1	BODY	ASTM A105	ASTM A182 F316L	ASTM A350 LF2
2	CLOSURE	ASTM A105	ASTM A182 F316L	ASTM A350 LF2
3	BALL	ASTM A182 F316L	ASTM A182 F316L	ASTM A182 F316L
4	STEM	ASTM A182 F316L	ASTM A182 F316L	ASTM A182 F316L
5	STOP	GALVANIZED STEEL	GALVANIZED STEEL	GALVANIZED STEEL
6	NUTS	GR.6S GALVANIZED	GR.6S GALVANIZED	GR.6S GALVANIZED
7	SEATS	RPTFE/DELRIN*	RPTFE/DELRIN*	RPTFE/DELRIN*
8	LEVER	GALVANIZED STEEL	GALVANIZED STEEL	GALVANIZED STEEL
9	PRESSING BUSH	ASTM A105 GALVANIZED	ASTM A105 GALVANIZED	A350 LF2 GALVANIZED
10	STOP	GALVANIZED STEEL	GALVANIZED STEEL	GALVANIZED STEEL
11	O-RING	VITON	VITON	VITON
12	SPRING	C.72 GALVANIZED	C.72 GALVANIZED	C.72 GALVANIZED
13	STEM GASKETS	RPTFE	RPTFE	RPTFE

\* FROM 1500 TO 6000 (DELRIN)

## FULL BORE

SIZE	8 10 15 20 25 32 40 50 65 80 100										SIZE	8 10 15 20 25 32 40 50 65 80 100												
	1/4"	3/8"	1/2"	3/4"	1"	1 1/4"	1 1/2"	2"	2 1/2"	3"		4"	1/4"	3/8"	1/2"	3/4"	1"	1 1/4"	1 1/2"	2"	2 1/2"	3"	4"	
800 PSI	L	65	65	75	90	100	115	125	150	160	200	225	L	65	65	75	90	100	115	125	150	160	200	200
	D	11	11	14	20	25	32	38	48	65	75	94	D	11	11	14	20	25	32	38	48	65	75	75
	A	150	150	150	185	185	285	285	285	380	380	460	A	150	150	150	185	185	285	285	285	380	380	380
	H	62	62	70	80	90	95	100	105	160	203	227	H	62	62	70	80	90	95	100	105	160	203	203
1500 PSI	L	65	65	75	90	100	115	125	150	160	200	225	L	65	65	75	90	100	115	125	150	160	200	225
	D	11	11	14	20	25	32	38	48	65	75	94	D	11	11	14	20	25	32	38	48	65	75	94
	A	150	150	150	185	185	285	285	285	380	380	460	A	150	150	150	185	185	285	285	285	380	380	460
	H	62	62	70	80	90	95	100	105	160	203	227	H	62	62	70	80	90	95	100	105	160	203	227

## REDUCED BORE

SIZE	8 10 15 20 25 32 40 50 65 80 100										SIZE	8 10 15 20 25 32 40 50 65 80 100												
	1/4"	3/8"	1/2"	3/4"	1"	1 1/4"	1 1/2"	2"	2 1/2"	3"		4"	1/4"	3/8"	1/2"	3/4"	1"	1 1/4"	1 1/2"	2"	2 1/2"	3"	4"	
800 PSI	L	65	65	65	75	90	100	115	125	150	160	200	L	65	65	65	75	90	100	115	125	160	160	160
	D	11	11	11	14	20	25	32	38	48	65	75	D	11	11	11	14	20	25	32	38	48	65	65
	A	150	150	150	185	185	285	285	285	380	380	460	A	150	150	150	185	185	285	285	285	380	380	380
	H	62	62	62	70	80	90	95	100	105	160	203	H	62	62	62	70	80	90	95	100	105	160	160
1500 PSI	L	65	65	65	75	90	100	115	125	150	160	200	L	65	65	65	75	90	100	115	125	160	160	160
	D	11	11	11	14	20	25	32	38	48	65	75	D	11	11	11	14	20	25	32	38	48	65	65
	A	150	150	150	185	185	285	285	285	380	380	460	A	150	150	150	185	185	285	285	285	380	380	380
	H	62	62	62	70	80	90	95	100	105	160	203	H	62	62	62	70	80	90	95	100	105	160	160

## Full and Reduced Bore

### STANDARD FEATURES:

- Antiblowout stem
- Operating temperature -29°C+200°C - for LF2 (-46°C+200°C)
- Antistatic device
- CS Galvanized
- BSP female or NPT female



### UPON REQUEST:

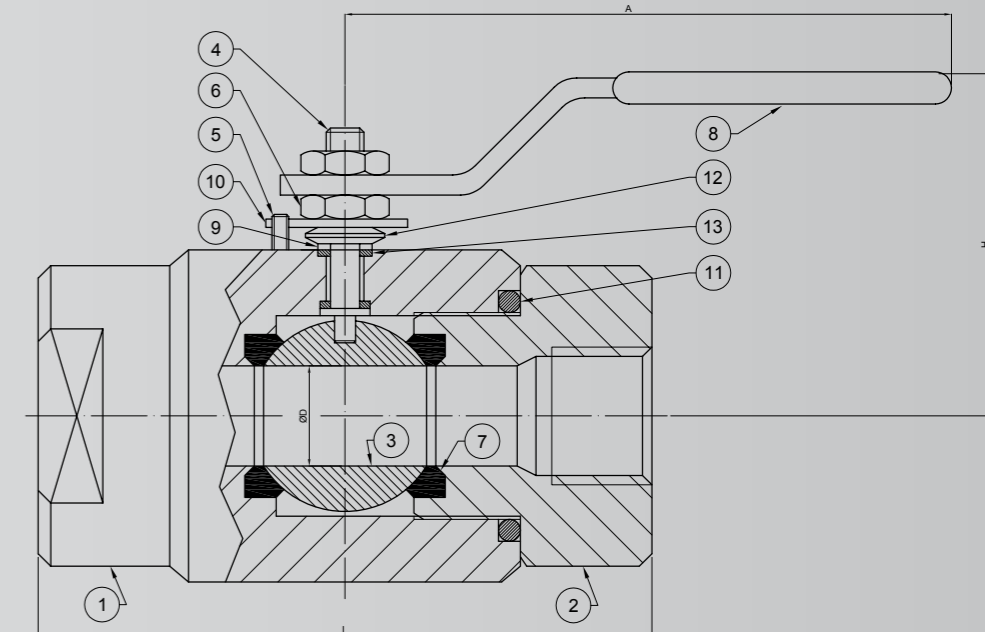
- BSP or NPT male/male ends
- BSP or NPT male/female ends
- Locking device
- Lever extension
- ISO 5211 top work drilling
- As per customer specification

### CERTIFICATIONS

Ball Valves "MONOBLOCK" **bar stock construction** in according to:

- PED 97/23/CE

FIRE SAFE according to:  
 - API 6FA Third Edition  
 - API 607 Sixth Edition  
 - ISO 10497



# MONOBLOCK VALVES MG 60

SOCKET WELD BALL VALVE

REF	DESCRIPTION	MATERIAL	MATERIAL	MATERIAL
1	BODY	ASTM A105	ASTM A182 F316L	ASTM A350 LF2
2	CLOSURE	ASTM A105	ASTM A182 F316L	ASTM A350 LF2
3	BALL	ASTM A182 F316L	ASTM A182 F316L	ASTM A182 F316L
4	STEM	ASTM A182 F316L	ASTM A182 F316L	ASTM A182 F316L
5	STOP	GALVANIZED STEEL	GALVANIZED STEEL	GALVANIZED STEEL
6	NUTS	GR.6S GALVANIZED	GR.6S GALVANIZED	GR.6S GALVANIZED
7	SEATS	RPTFE/DELRIN*	RPTFE/DELRIN*	RPTFE/DELRIN*
8	LEVER	GALVANIZED STEEL	GALVANIZED STEEL	GALVANIZED STEEL
9	PRESSING BUSH	ASTM A105 GALVANIZED	ASTM A105 GALVANIZED	A350 LF2 GALVANIZED
10	STOP	GALVANIZED STEEL	GALVANIZED STEEL	GALVANIZED STEEL
11	O-RING	VITON	VITON	VITON
12	SPRING	C.72 GALVANIZED	C.72 GALVANIZED	C.72 GALVANIZED
13	STEM GASKETS	RPTFE	RPTFE	RPTFE

\* FROM 1500 TO 6000 (DELRIN)

## FULL BORE

SIZE	FULL BORE											
	8	10	15	20	25	32	40	50	65	80	100	
	1/4"	3/8"	1/2"	3/4"	1"	1,1/4"	1,1/2"	2"	2,1/2"	3"	4"	
800 PSI	L	237	237	241	253	264	271	281	300	305	315	348
	D	11	11	14	20	25	32	38	48	65	75	94
	A	150	150	150	185	185	285	285	285	380	380	460
	H	62	62	70	80	90	95	100	105	160	203	227
1500 PSI	L	237	237	241	253	264	271	281	300	305	315	348
	D	11	11	14	20	25	32	38	48	65	75	94
	A	150	150	150	185	185	285	285	285	380	380	460
	H	62	62	70	80	90	95	100	105	160	203	227

## REDUCED BORE

SIZE	REDUCED BORE											
	8	10	15	20	25	32	40	50	65	80	100	
	1/4"	3/8"	1/2"	3/4"	1"	1,1/4"	1,1/2"	2"	2,1/2"	3"	4"	
800 PSI	L	237	237	237	241	253	264	271	281	300	305	315
	D	11	11	11	14	20	25	32	38	48	65	75
	A	150	150	150	150	185	185	285	285	285	380	380
	H	62	62	62	70	85	90	95	100	105	160	203
1500 PSI	L	237	237	237	241	253	264	271	281	300	305	315
	D	11	11	11	14	20	25	32	38	48	65	75
	A	150	150	150	150	185	185	285	285	285	380	380
	H	62	62	62	70	85	90	95	100	105	160	203



## Full and Reduced Bore

### STANDARD FEATURES:

- Antiblowout stem
- Operating temperature -29°C+200°C - for LF2 (-46°C+200°C)
- Antistatic device
- CS Galvanized
- Nipples 100mm

### UPON REQUEST:

- SW SHORT PATTERN
- SW x THD female ends
- SW x THD male ends
- Locking device
- Lever extension
- ISO 5211 top work drilling
- As per customer specification

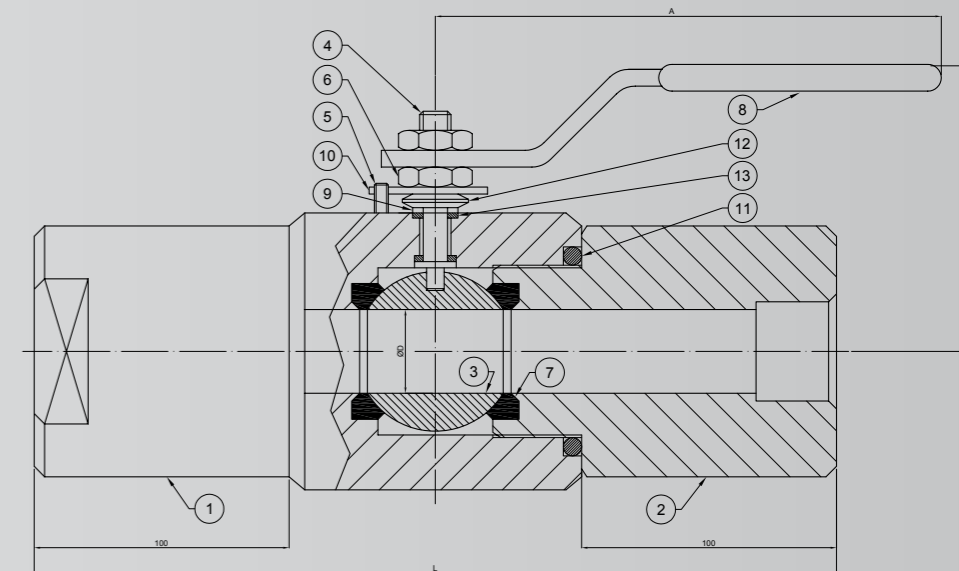
### CERTIFICATIONS

Ball Valves "MONOBLOCK" **bar stock construction** in according to:

- PED 97/23/CE

FIRE SAFE according to:

- API 6FA Third Edition
- API 607 Sixth Edition
- ISO 10497





# MONOBLOCK VALVES MG 50

BUTT WELD BALL VALVE WITH PRE-WELDED NIPPLES



REF	DESCRIPTION	MATERIAL	MATERIAL	MATERIAL
1	BODY	ASTM A105	ASTM A182 F316L	ASTM A350 LF2
2	CLOSURE	ASTM A105	ASTM A182 F316L	ASTM A350 LF2
3	BALL	ASTM A182 F316L	ASTM A182 F316L	ASTM A182 F316L
4	STEM	ASTM A182 F316L	ASTM A182 F316L	ASTM A182 F316L
5	STOP	GALVANIZED STEEL	GALVANIZED STEEL	GALVANIZED STEEL
6	NUTS	GR.6S GALVANIZED	GR.6S GALVANIZED	GR.6S GALVANIZED
7	SEATS	RPTFE/DELRIN*	RPTFE/DELRIN*	RPTFE/DELRIN*
8	LEVER	GALVANIZED STEEL	GALVANIZED STEEL	GALVANIZED STEEL
9	PRESSING BUSH	ASTM A105 GALVANIZED	ASTM A105 GALVANIZED	A350 LF2 GALVANIZED
10	STOP	GALVANIZED STEEL	GALVANIZED STEEL	GALVANIZED STEEL
11	O-RING	VITON	VITON	VITON
12	SPRING	C.72 GALVANIZED	C.72 GALVANIZED	C.72 GALVANIZED
13	STEM GASKETS	RPTFE	RPTFE	RPTFE

\* FROM 1500 TO 6000 (DELRIN)

## FULL BORE

SIZE	8 10 15 20 25 32 40 50 65 80 100																							
	1/4" 3/8" 1/2" 3/4" 1" 1 1/4" 1 1/2" 2" 2 1/2" 3" 4"																							
800 PSI	L	265	265	275	290	300	315	325	350	360	400	425	3000 PSI	L	265	265	275	290	300	315	325	350	360	400
	D	11	11	14	20	25	32	38	48	65	75	94		D	11	11	14	20	25	32	38	48	65	75
	A	150	150	150	185	185	285	285	285	380	380	460		A	150	150	150	185	185	285	285	285	380	380
1500 PSI	H	62	62	70	80	90	95	100	105	160	203	227	6000 PSI	H	62	62	70	80	90	95	100	105	160	203
	L	265	265	275	290	300	315	325	350	360	400	425		L	265	265	275	290	300	315	325	350		
	D	11	11	14	20	25	32	38	48	65	75	94		D	11	11	14	20	25	32	38	48		
1500 PSI	A	150	150	150	185	185	285	285	285	380	380	460	A	150	150	150	185	185	285	285	285			
	H	62	62	70	80	90	95	100	105	160	203	227	H	62	62	70	80	90	95	100	105			

## REDUCED BORE

SIZE	8 10 15 20 25 32 40 50 65 80 100																							
	1/4" 3/8" 1/2" 3/4" 1" 1 1/4" 1 1/2" 2" 2 1/2" 3" 4"																							
800 PSI	L	265	265	275	290	300	315	325	350	360	400	425	3000 PSI	L	265	265	275	290	300	315	325	350	360	400
	D	11	11	14	20	25	32	38	48	65	75	94		D	11	11	14	20	25	32	38	48	65	75
	A	150	150	150	185	185	285	285	285	380	380	460		A	150	150	150	185	185	285	285	285	380	380
1500 PSI	H	62	62	70	80	90	95	100	105	160	203	227	6000 PSI	H	62	62	70	80	90	95	100	105	160	203
	L	265	265	275	290	300	315	325	350	360	400	425		L	265	265	275	290	300	315	325	350		
	D	11	11	14	20	25	32	38	48	65	75	94		D	11	11	14	20	25	32	38	48		
1500 PSI	A	150	150	150	185	185	285	285	285	380	380	460	A	150	150	150	185	185	285	285	285			
	H	62	62	70	80	90	95	100	105	160	203	227	H	62	62	70	80	90	95	100	105			

## Full and Reduced Bore

### STANDARD FEATURES:

- Antiblowout stem
- Operating temperature -29°C+200°C - for LF2 (-46°C+200°C)
- Antistatic device
- CS Galvanized
- Schedule 80 nipples (100mm)

### UPON REQUEST:

- BW x THD female ends
- BW x THD male ends
- Locking device
- Lever extension
- Schedule 160 or XXS nipples
- ISO 5211 top work drilling
- As per customer specification

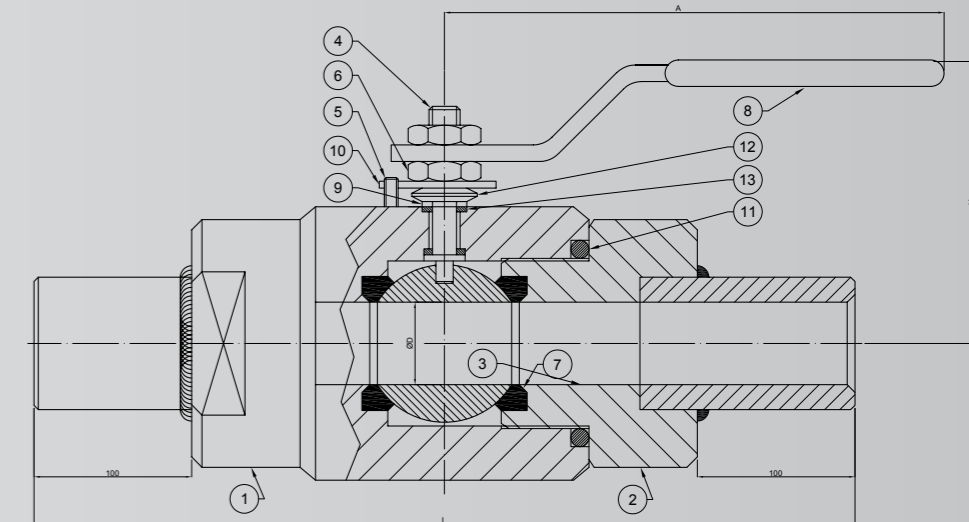
### CERTIFICATIONS

Ball Valves "MONOBLOCK" **bar stock construction** in according to:

- PED 97/23/CE

FIRE SAFE according to:

- API 6FA Third Edition
- API 607 Sixth Edition
- ISO 10497



# MONOBLOCK VALVES MG 50I



BUTT WELD BALL VALVE WITH INTEGRAL NIPPLES

REF	DESCRIPTION	MATERIAL	MATERIAL	MATERIAL
1	BODY	ASTM A105	ASTM A182 F316L	ASTM A350 LF2
2	CLOSURE	ASTM A105	ASTM A182 F316L	ASTM A350 LF2
3	BALL	ASTM A182 F316L	ASTM A182 F316L	ASTM A182 F316L
4	STEM	ASTM A182 F316L	ASTM A182 F316L	ASTM A182 F316L
5	STOP	GALVANIZED STEEL	GALVANIZED STEEL	GALVANIZED STEEL
6	NUTS	GR.6S GALVANIZED	GR.6S GALVANIZED	GR.6S GALVANIZED
7	SEATS	RPTFE/DELRIN*	RPTFE/DELRIN*	RPTFE/DELRIN*
8	LEVER	GALVANIZED STEEL	GALVANIZED STEEL	GALVANIZED STEEL
9	PRESSING BUSH	ASTM A105 GALVANIZED	ASTM A105 GALVANIZED	A350 LF2 GALVANIZED
10	STOP	GALVANIZED STEEL	GALVANIZED STEEL	GALVANIZED STEEL
11	O-RING	VITON	VITON	VITON
12	SPRING	C.72 GALVANIZED	C.72 GALVANIZED	C.72 GALVANIZED
13	STEM GASKETS	RPTFE	RPTFE	RPTFE

\* FROM 1500 TO 6000 (DELRIN)

## FULL BORE

SIZE	FULL BORE											
	8	10	15	20	25	32	40	50	65	80	100	
	1/4"	3/8"	1/2"	3/4"	1"	1,1/4"	1,1/2"	2"	2,1/2"	3"	4"	
800 PSI	L	237	237	241	253	264	271	281	300	305	315	348
	D	11	11	14	20	25	32	38	48	65	75	95
	A	150	150	150	185	185	285	285	285	380	380	460
	H	62	62	70	80	90	95	100	105	160	203	227
1500 PSI	L	237	237	241	253	264	271	281	300	305	315	348
	D	11	11	14	20	25	32	38	48	65	75	95
	A	150	150	150	185	185	285	285	285	380	380	460
	H	62	62	70	80	90	95	100	105	160	203	227

## REDUCED BORE

SIZE	REDUCED BORE											
	8	10	15	20	25	32	40	50	65	80	100	
	1/4"	3/8"	1/2"	3/4"	1"	1,1/4"	1,1/2"	2"	2,1/2"	3"	4"	
800 PSI	L	237	237	237	241	253	264	271	281	300	305	315
	D	11	11	11	14	20	25	32	38	48	65	75
	A	150	150	150	150	185	185	285	285	285	380	380
	H	62	62	62	70	85	90	95	100	105	160	203
1500 PSI	L	237	237	237	241	253	264	271	281	300	305	315
	D	11	11	11	14	20	25	32	38	48	65	75
	A	150	150	150	150	185	185	285	285	285	380	380

## Full and Reduced Bore

### STANDARD FEATURES:

- Antiblowout stem
- Operating temperature -29°C+200°C - for LF2 (-46°C+200°C)
- Antistatic device
- CS Galvanized
- Schedule 80 nipples (100mm)



### UPON REQUEST:

- BW x THD female ends
- BW x THD male ends
- Locking device
- Lever extension
- Schedule 160 or XXS nipples
- ISO 5211 top work drilling
- As per customer specification

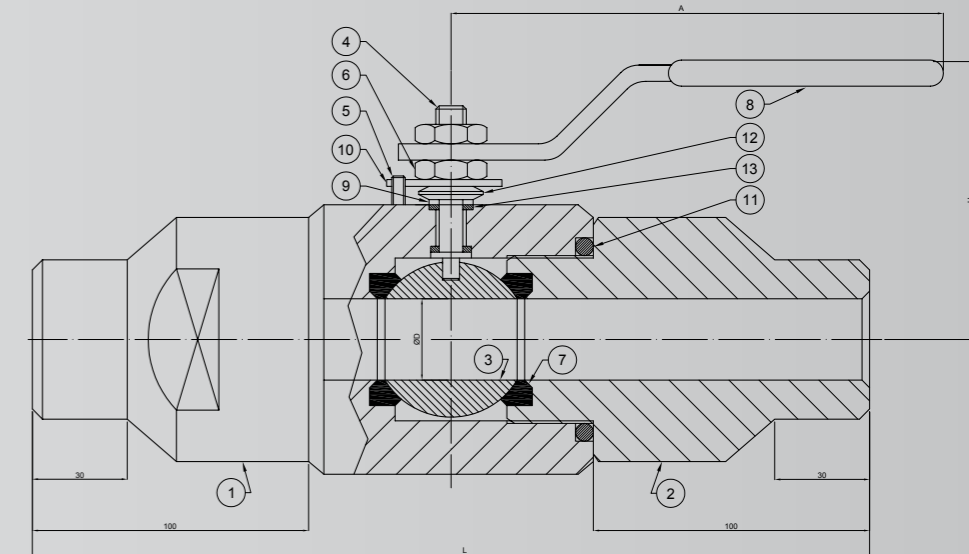
## CERTIFICATIONS

Ball Valves "MONOBLOCK" **bar stock construction** in according to:

- PED 97/23/CE

FIRE SAFE according to:

- API 6FA Third Edition
- API 607 Sixth Edition
- ISO 10497





REF	DESCRIPTION	MATERIAL	MATERIAL	MATERIAL
1	BODY	ASTM A105	ASTM A182 F316L	ASTM A350 LF2
2	CLOSURE	ASTM A105	ASTM A182 F316L	ASTM A350 LF2
3	BALL	ASTM A182 F316L	ASTM A182 F316L	ASTM A182 F316L
4	STEM	ASTM A182 F316L	ASTM A182 F316L	ASTM A182 F316L
5	STOP	GALVANIZED STEEL	GALVANIZED STEEL	GALVANIZED STEEL
6	NUTS	GR.6S GALVANIZED	GR.6S GALVANIZED	GR.6S GALVANIZED
7	SEATS	RPTFE/DELRIN*	RPTFE/DELRIN*	RPTFE/DELRIN*
8	LEVER	GALVANIZED STEEL	GALVANIZED STEEL	GALVANIZED STEEL
9	PRESSING BUSH	ASTM A105 GALVANIZED	ASTM A105 GALVANIZED	A350 LF2 GALVANIZED
10	STOP	GALVANIZED STEEL	GALVANIZED STEEL	GALVANIZED STEEL
11	O-RING	VITON	VITON	VITON
12	SPRING	C.72 GALVANIZED	C.72 GALVANIZED	C.72 GALVANIZED
13	STEM GASKETS	RPTFE	RPTFE	RPTFE

\* FROM 1500 TO 6000 (DELRIN)

SIZE	15	20	25	32	40	50	65	
	1/2"	3/4"	1"	1.1/4"	1.1/2"	2"	2.1/2"	
PN 16/40	L	75	75	90	102	120	135	155
	D	11	11	14	20	25	32	38
	E	22,5	22,5	30	35	40	45	50
	B	37,5	37,5	45	51	60	67,5	77,5
	H	63	63	85	90	95	100	105
A	150	150	150	185	185	285	285	
ANSI 150	L	75	75	90	102	120	135	155
	D	11	11	14	20	25	32	38
	E	22,5	22,5	30	35	40	45	50
	B	37,5	37,5	45	51	60	67,5	77,5
	H	63	63	85	90	95	100	105
A	150	150	150	185	185	285	285	

SIZE	15	20	25	32	40	50	65	
	1/2"	3/4"	1"	1.1/4"	1.1/2"	2"	2.1/2"	
ANSI 300	L	75	75	90	102	120	135	155
	D	11	11	14	20	25	32	38
	E	22,5	22,5	30	35	40	45	50
	B	37,5	37,5	45	51	60	67,5	77,5
	H	63	63	85	90	95	100	105
A	150	150	150	185	185	285	285	

# MONOBLOCK VALVES MG 40

THREE WAY BALL VALVE

## Full Bore

### STANDARD FEATURES:

- Antiblowout stem
- Operating temperature -29°C+200°C - for LF2 (-46°C+200°C)
- Antistatic device
- CS Galvanized
- ISO 5211 top work drilling
- Three way ball valve "L"

### UPON REQUEST:

- Locking device
- Lever extension
- Reduced Bore
- Three way ball valve "T"
- As per customer specification

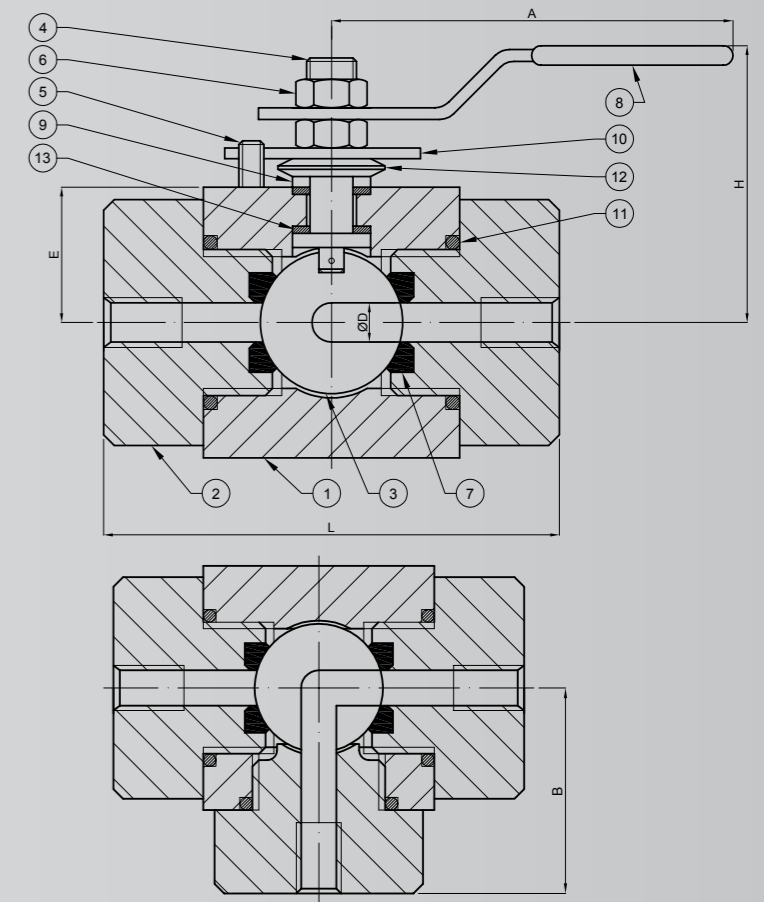
## CERTIFICATIONS

Ball Valves "THREE WAY"  
**bar stock construction** in according to:

- PED 97/23/CE

FIRE SAFE according to:

- API 6FA Third Edition
- API 607 Sixth Edition
- ISO 10497



# THREE PIECES BALL VALVES MG 24



REF	DESCRIPTION	MATERIAL	MATERIAL	MATERIAL
1	BODY	ASTM A105	ASTM A182 F316L	ASTM A350 LF2
2	CLOSURE	ASTM A105	ASTM A182 F316L	ASTM A350 LF2
3	BALL	ASTM A182 F316L	ASTM A182 F316L	ASTM A182 F316L
4	STEM	ASTM A182 F316L	ASTM A182 F316L	ASTM A182 F316L
5	STOP	GALVANIZED STEEL	GALVANIZED STEEL	GALVANIZED STEEL
6	NUTS	GR.6S GALVANIZED	GR.6S GALVANIZED	GR.6S GALVANIZED
7	SEATS	RPTFE/DELRIN*	RPTFE/DELRIN*	RPTFE/DELRIN*
8	LEVER	GALVANIZED STEEL	GALVANIZED STEEL	GALVANIZED STEEL
9	PRESSING BUSH	ASTM A105 GALVANIZED	ASTM A105 GALVANIZED	A350 LF2 GALVANIZED
10	STOP	GALVANIZED STEEL	GALVANIZED STEEL	GALVANIZED STEEL
11	O-RING	VITON	VITON	VITON
12	SPRING	C.72 GALVANIZED	C.72 GALVANIZED	C.72 GALVANIZED
13	STEM GASKETS	RPTFE	RPTFE	RPTFE
14	SCREWS	8.8 GALVANIZED	8.8 GALVANIZED	8.8 GALVANIZED

\* FROM 1500 TO 6000 (DELRIN)

SIZE	10	15	20	25	32	40	50	65	80	100	
	3/8"	1/2"	3/4"	1"	1.1/4"	1.1/2"	2"	2.1/2"	3"	4"	
800 PSI	L	75	75	90	100	115	125	150	160	200	225
	D	11	14	20	25	32	38	48	65	75	94
	A	150	150	185	185	285	285	285	380	380	460
1500 PSI	L	75	75	90	100	115	125	150	160	200	225
	D	11	14	20	25	32	38	48	65	75	94
	A	150	150	185	185	285	285	285	380	380	460
H	65	70	85	90	95	100	105	160	203	227	

SIZE	10	15	20	25	32	40	50	65	80	100	
	3/8"	1/2"	3/4"	1"	1.1/4"	1.1/2"	2"	2.1/2"	3"	4"	
3000 PSI	L	75	75	90	100	115	125	150	160	200	225
	D	11	14	20	25	32	38	48	65	75	94
	A	150	150	185	185	285	285	285	380	380	460
6000 PSI	L	75	75	90	100	115	125	150	160	200	225
	D	11	14	20	25	32	38	48	65	75	94
	A	150	150	185	185	285	285	285	380	380	460
H	65	70	85	90	95	100	105	160	203	227	

## Full Bore

### STANDARD FEATURES:

- Antiblowout stem
- Operating temperature -29°C+200°C - for LF2 (-46°C+200°C)
- Antistatic device
- CS Galvanized



### UPON REQUEST:

- Threaded
- With nipples
- Locking device
- Lever extension
- Reduced bore
- As per customer specification

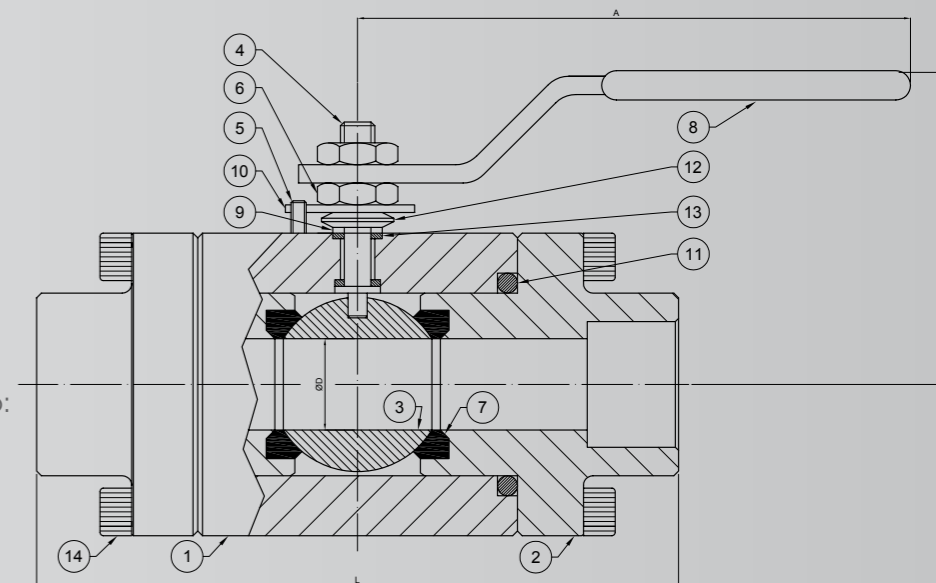
## CERTIFICATIONS

Ball Valves "THREE PIECES"  
**bar stock construction** in according to:

- PED 97/23/CE

FIRE SAFE according to:

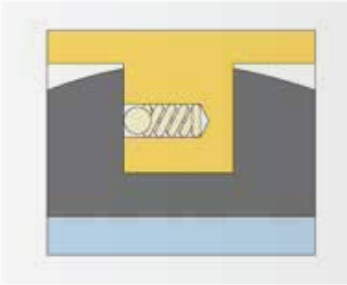
- API 6FA Third Edition
- API 607 Sixth Edition
- ISO 10497





## PARTICULAR MONOBLOCK VALVES

### STANDARD FEATURES



Antistatic device

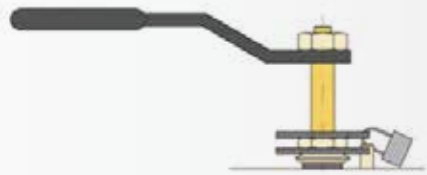
### OPTIONS



Locking device



Extended stem



Extended stem and locking device

# NEEDLE VALVES



# NEEDLE VALVES MG 300



REF	DESCRIPTION	MATERIAL	MATERIAL	MATERIAL
1	BODY	ASTM A105	ASTM A182 F316L	ASTM A350 LF2
2	MOVING STOPPER	ASTM A182 F316L	ASTM A182 F316L	ASTM A182 F316L
3	STEM	ASTM A182 F316L	ASTM A182 F316L	ASTM A182 F316L
4	GASKET	KLINGERITE	KLINGERITE	KLINGERITE
5	HEADWORK	ASTM A105 GALVANIZED	AISI A182 F316	ASTM A350 LF2
6	COVER	ASTM A105 GALVANIZED	AISI A182 F316	ASTM A350 LF2
7	PACKING	PTFE*	PTFE*	PTFE*
8	GLAND	ASTM A105 GALVANIZED	AISI A182 F316	ASTM A350 LF2
9	HANDWHEEL	FORMED STEEL	FORMED STEEL	FORMED STEEL

\* FOR 6000 PSI (GRAPHOIL)

SIZE	8	10	15	20	25	32	40	50	
	1/4"	3/8"	1/2"	3/4"	1"	1 1/4"	1 1/2"	2"	
3000 PSI	E	30	30	30	35	40	50	60	70
	F	5	6	6	7,5	9	11,5	16	19
	L	60	60	60	70	75	90	100	120
	G	70	70	70	70	80	125	125	125
	H1	115	115	115	118	136	165	175	185
	H2	127	127	127	129	147	177	187	197

SIZE	8	10	15	20	25	32	40	50	
	1/4"	3/8"	1/2"	3/4"	1"	1 1/4"	1 1/2"	2"	
6000 PSI	E	30	30	35	40	50	60	70	70
	F	5	6	6	7,5	9	11,5	16	19
	L	60	60	70	75	90	100	120	120
	G	70	70	70	80	125	125	125	125
	H1	115	115	118	136	165	175	185	185
	H2	127	127	129	147	177	187	197	197

## STANDARD FEATURES:

- Antiblowlout stem
- Operating temperature -29°C+200°C - for LF2 (-46°C+200°C)
- GAS or NPT
- CS Galvanized



## UPON REQUEST:

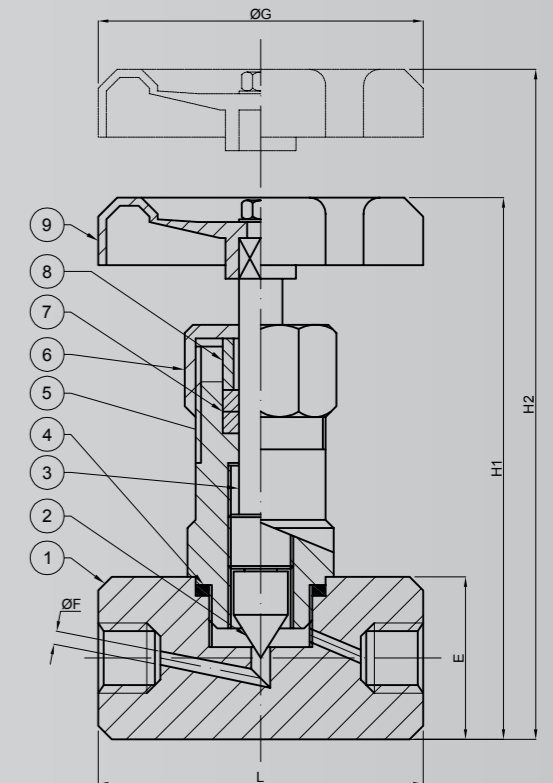
- Flange needle valves
- Needle valve a 90°
- SW
- NPTxGAS

- DIFFERENT HANDWHEEL
- T-bar
  - Bachelite

## CERTIFICATIONS

Needle Valves **bar stock construction** in according to:

- PED 97/23/CE
- ATEX





# NEEDLE VALVES MG 350|360|370

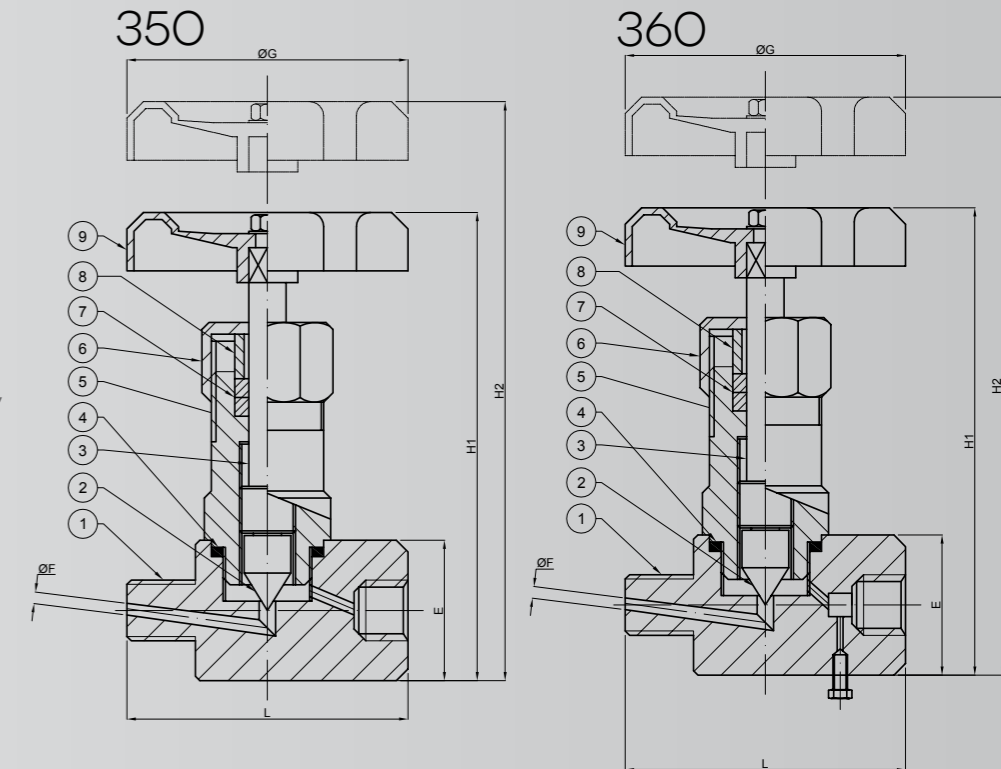
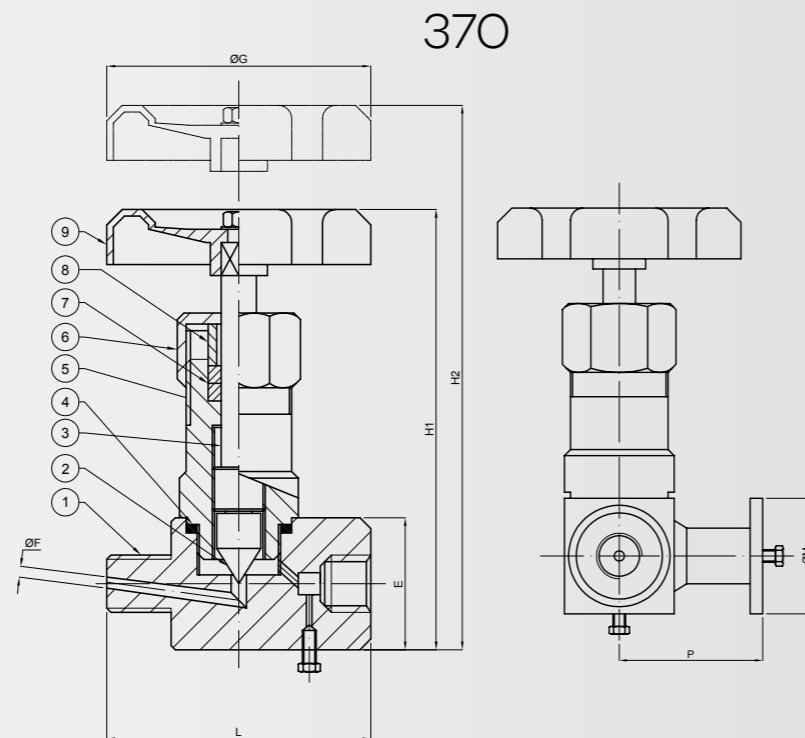


REF	DESCRIPTION	MATERIAL	MATERIAL	MATERIAL
1	BODY	ASTM A105	ASTM A182 F316L	ASTM A350 LF2
2	MOVING STOPPER	ASTM A182 F316L	ASTM A182 F316L	ASTM A182 F316L
3	STEM	ASTM A182 F316L	ASTM A182 F316L	ASTM A182 F316L
4	GASKET	KLINGERITE	KLINGERITE	KLINGERITE
5	HEADWORK	ASTM A105 GALVANIZED	AISI A182 F316	ASTM A350 LF2
6	COVER	ASTM A105 GALVANIZED	AISI A182 F316	ASTM A350 LF2
7	PACKING	PTFE*	PTFE*	PTFE*
8	GLAND	ASTM A105 GALVANIZED	AISI A182 F316	ASTM A350 LF2
9	HANDWHEEL	FORMED STEEL	FORMED STEEL	FORMED STEEL

\* FOR 6000 PSI (GRAPHOIL)

SIZE	8			10			15		
	1/4"	3/8"	1/2"	1/4"	3/8"	1/2"	1/4"	3/8"	1/2"
3000 PSI	E	30	30	30					
	F	3,5	4	4					
	L	60	60	60					
	G	70	70	70					
	H1	115	115	115					
6000 PSI	H2	127	127	127					
	E	30	30	30					
	F	3,5	4	4					
	L	70	70	70					
	G	70	70	70					
MG350/MG360	H1	115	115	115					
	H2	127	127	127					
	P	40	40	40					
	M	40	40	40					

SIZE	8			10			15		
	1/4"	3/8"	1/2"	1/4"	3/8"	1/2"	1/4"	3/8"	1/2"
3000 PSI	E	30	30	30					
	F	3,5	4	4					
	L	60	60	60					
	G	70	70	70					
	H1	115	115	115					
6000 PSI	H2	127	127	127					
	E	30	30	30					
	F	3,5	4	4					
	L	70	70	70					
	G	70	70	70					
MG370	H1	115	115	115					
	H2	127	127	127					
	P	40	40	40					
	M	40	40	40					



## PRESSURE GAUGE VALVE

### STANDARD FEATURES:

- Antiblowout stem
- Operating temperature -29°C+200°C - for LF2 (-46°C+200°C)
- GAS or NPT
- CS Galvanized
- PRESSURE GAUGE (MG350)
- PRESSURE GAUGE WITH DRAIN (MG360)
- PRESSURE GAUGE WITH DRAIN AND CONTROL FLANGE (MG370)

### UPON REQUEST:

- DIFFERENT HANDWHEEL
- T-BAR
- BACHELITE

### CERTIFICATIONS

Needle Valves "PRESSURE GAUGE"  
**bar stock construction**  
 in according to:

- PED 97/23/CE
- ATEX



# CHECK VALVES MG 100



REF	DESCRIPTION	MATERIAL	MATERIAL	MATERIAL
1	BODY	ASTM A105 GALVANIZED	ASTM A182 F316L	ASTM A105 GALVANIZED
2	STEM	ASTM A182 F316L	ASTM A182 F316L	ASTM A182 F316L
3	RING NUT	ASTM A105	ASTM A182 F316L	ASTM A350 LF2
4	SPRING	AISI 316	AISI 316	AISI 316
5	GASKET	PTFE/DELRIN*	PTFE/DELRIN*	PTFE/DELRIN*

\* FROM 1500 TO 6000 (DELRIN)

SIZE	8	10	15	20	25	32	40	50
	1/4"	3/8"	1/2"	3/4"	1"	1,1/4"	1,1/2"	2"
3000 PSI	A 75	75	65	75	80	90	95	110
	L 40	40	40	40	50	60	70	80
3000 PSI	A 75	75	65	75	80	90	95	110
	L 40	40	40	40	50	60	70	80
3000 PSI	A 75	75	65	75	80	90	95	110
	L 40	40	40	40	50	60	70	80

## Full Bore

### STANDARD FEATURES:

- Antiblownout stem
- Operating temperature -29°C+200°C - for LF2 (-46°C+200°C)
- CS Galvanized
- GAS or NPT



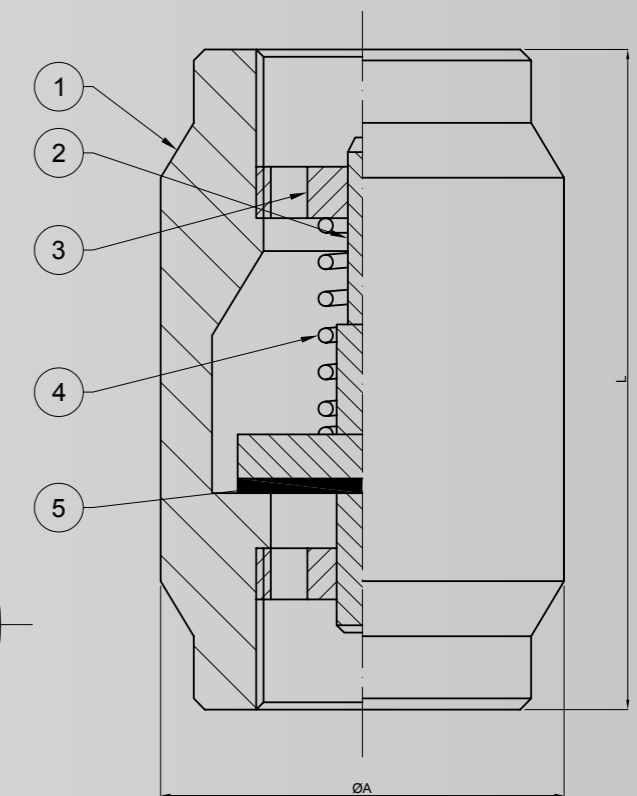
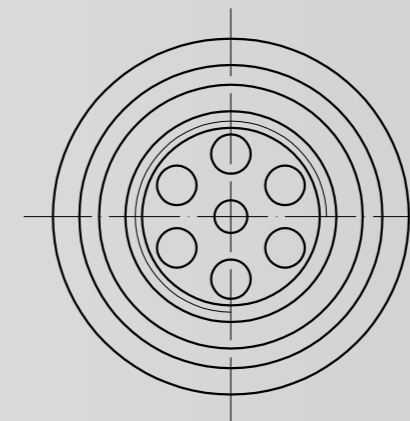
### UPON REQUEST:

- SW

### CERTIFICATIONS

Check Valves **bar stock construction** in according to:

- PED 97/23/CE
- ATEX







## QUALITY

To achieve this objective Magival Valves has implemented and maintains an updated Quality Management System in accordance with ISO 9001:2008 and API Q1.

Magival Valves ensures that the quality policy is understood, implemented and maintained at all levels; the quality program is focused on continual improvement and it's continually subjected to review and audit by internal personal, external agency inspectors and the most important worldwide engineering companies.

Magival Valves products fulfill all the main international standards (Ex. ISO, API, ASME, ANSI, ASTM, NACE, BS etc.)

We obtained the following products certificates and new ones are in progress.



## TEST

100% ball valves are tested:

- Hydrostatic body test
- Hydrostatic seat test
- Pneumatic body test
- Visual and dimensional test
- Functional and operability test

Upon request also the following test:

- Fugitive Emission Test
- Gas test
- Non-destructive Test







Magival Valves S.r.l. is an Italian longstanding ball valves manufacturer with a well equipped production unit that satisfies most of the engineering requirements of Oil & Gas, petrochemical and water world.

European forged materials (LF2 - F316 - F53 - F55 - INCONEL 625...), speedy deliveries (one week for split body valves), competitive prices, multinational flexible work force and quality management keep Magival Valves an ethical and reliable partner.

Mr. Possamai and his daughter Federica invite you to join the evolution path that started in 1978.







Global Supply Line Australia major Magival distributor & stockist,  
supplying world wide. [www.globalsupplyline.com.au](http://www.globalsupplyline.com.au)

Contact us: [sales@globalsupplyline.com.au](mailto:sales@globalsupplyline.com.au)

