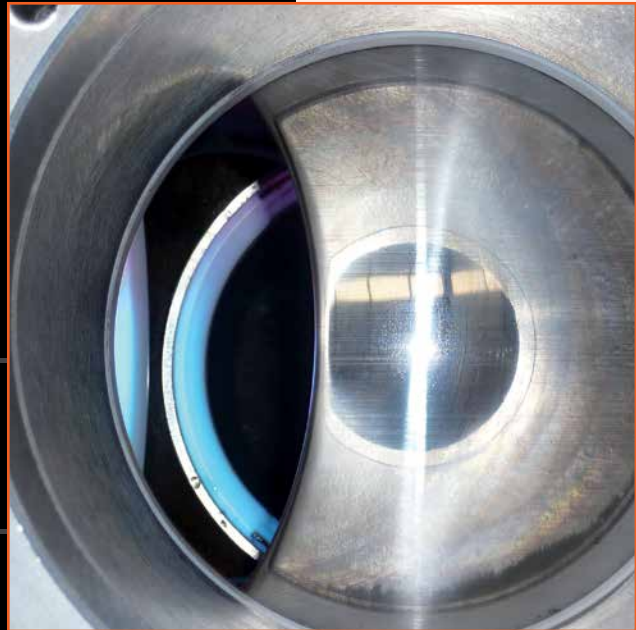
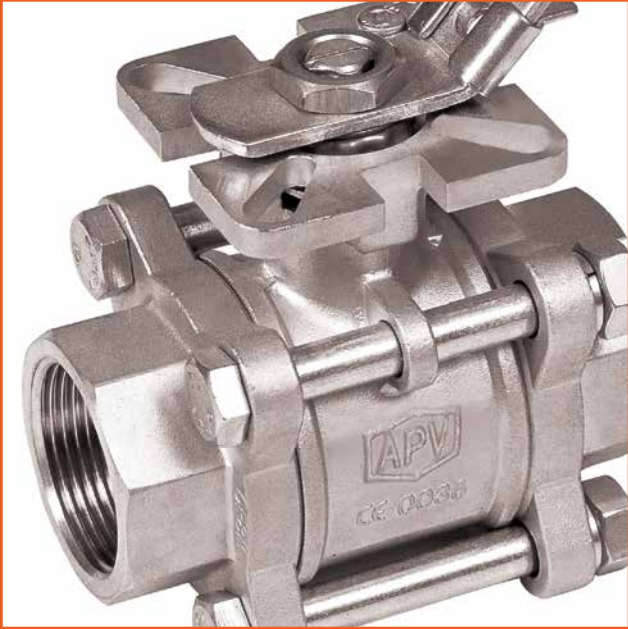
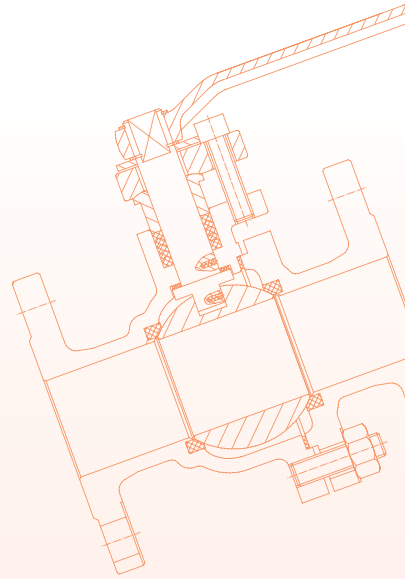


INDUSTRIAL BALL VALVES

SHORT VERSION



**AUSTRALIAN
PIPELINE VALVE®**

www.australianpipelinevalve.com.au

QUALITY VALVE MANUFACTURER

QUALITY COMMITMENT

Quality is Our First Priority.

Consistent product quality and a proven track record makes Australian Pipeline Valve a dependable choice where total reliability is the number one concern.

Since its founding, APV's philosophy has been focused on quality. Our valves are manufactured in full compliance to worldwide standards (such as ASME/ANSI, API, EN, ISO, BS, AS).



**AUSTRALIAN
PIPELINE VALVE®**

70-78 Stanbel Road Salisbury Plain South Australia 5109
Telephone +61 (0)8 8285 0033 Fax +61 (0)8 8285 0044
email: admin@australianpipelinevalve.com.au

www.australianpipelinevalve.com.au

CONTENTS - SHORT VERSION*

| | |
|--|--------|
| 1 Piece Body 1000 PSI Ball Valve APL190/APL197 | 4 |
| 2 Piece Body 1000 PSI Ball Valve 660 | 5* |
| 2 Piece Body 2000 PSI Ball Valve 660-HP | 6~7 |
| 3 Piece Body 1000 PSI Ball Valve VT-3-L30 | 8 |
| 3 Piece Body 2000 PSI Ball Valve BV100-L80 | 9 |
| 3 Piece 1500 PSI / 2000 PSI Ball Valve BV100-370 | 10 |
| 3 Piece Body 1000 PSI Ball Valve VT-3-M30 | 11~13* |
| 3 Piece 1500 PSI / 2000 PSI Ball Valve HVT-3 | 14~15* |
| High Pressure 3000 PSI WOG HP Series | 16* |
| Spring Return Deadman Handle | 17~18* |
| Steam Jacketed Ball Valve Wafer Style | 19* |
| PFA/FEP Lined Ball Valve | 20~22 |
| Lined Ball Valves DO Series | 23* |
| Flanged 2 Piece Type Ball Valve SLBV01 Series | 24~25 |
| Hygienic Quarter Turn Valves | 26* |

* This version excludes some of these pages, refer to full version at website.



© Copyright Australian Pipeline Valve 1990 - 2022 Edition

Catalogues, photos, brochures and technical publications are the exclusive property of Australian Pipeline Valve. Any unauthorised reproduction in total or in part, shall result in prosecution. Products and data sheets in this publication are subject to change at anytime without notice. Australian Pipeline Valve reserves the right to carry out amendments to products and materials.

1 PIECE BODY 1000/2000 PSI BALL VALVES APL190/APL197

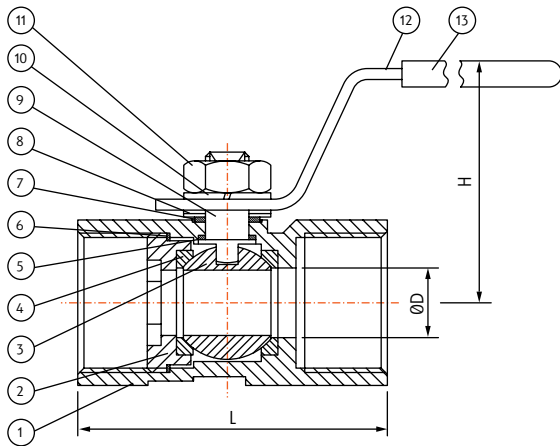
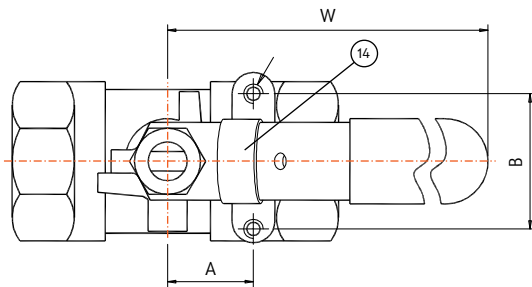
FEATURES

- L190 1000PSI, L197 2000PSI up to 50NB.
- Reinforced TFE seats increase durability.
- Self adjusting Belleville packing spring.
- Bottom-loaded blow-out proof stem.
- NPT threaded ends complies with ANSI B1.20.1.
- BSP threaded ends complies with BS 21, ISO 7/1.
- Tested according to MSS SP-110/API 598.
- Optional Mount Pad.



MATERIALS LIST

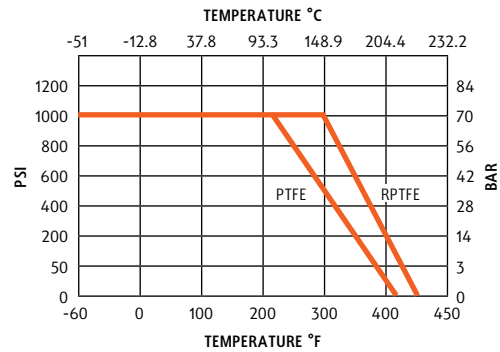
| Item | Parts | Stainless Steel | Carbon Steel | Pcs |
|------|-------------------|--------------------|--------------------|-----|
| 1 | Body | ASTM A351 CF8M | ASTM A216 WCB | 1 |
| 2 | Body Insert | ASTM A351 CF8M/316 | ASTM A216 WCB/A108 | 1 |
| 3 | Ball | ASTM A351 CF8M/316 | ASTM A351 CF8/304 | 1 |
| 4 | Seat | PTFE | PTFE | 2 |
| 5 | Thrust Washer | PTFE | PTFE | 1 |
| 6 | Body Gasket | PTFE | PTFE | 1 |
| 7 | Stem Packing | PTFE | PTFE | 1 |
| 8 | Belleville Spring | AISI 301 | AISI 301 | 2 |
| 9 | Stem | ASTM A276 316 | ASTM A276 304 | 1 |
| 10 | Spring Washer | AISI 304 | AISI 304 | 1 |
| 11 | Handle Nut | AISI 304 | AISI 304 | 1 |
| 12 | Handle | AISI 304 | Zinc Plated Steel | 1 |
| 13 | Sleeve | Vinyl Plastisol | Vinyl Plastisol | 1 |
| 14 | Locking Device | AISI 304 | AISI 304 | 1v |



OPTIONS

- L Locking Device
- V Vented Ball
- P Equipped with Pneumatic Actuator
- M Mounting Pad

PRESSURE/TEMPERATURE RATING



DIMENSIONS

| Size | | ØD | | L | | H | | W | | Weights |
|--------|----|------|----|------|-----|------|----|------|-----|---------|
| IN | DN | IN | MM | IN | MM | IN | MM | IN | MM | KG |
| 1/4" | 8 | 0.20 | 5 | 1.54 | 39 | 1.30 | 33 | 2.68 | 68 | 0.1 |
| 3/8" | 10 | 0.28 | 7 | 1.77 | 45 | 1.38 | 35 | 3.11 | 79 | 0.1 |
| 1/2" | 15 | 0.35 | 9 | 2.20 | 56 | 1.65 | 42 | 3.54 | 90 | 0.2 |
| 3/4 " | 20 | 0.49 | 12 | 2.36 | 60 | 1.81 | 46 | 3.54 | 90 | 0.3 |
| 1" | 25 | 0.63 | 16 | 2.80 | 71 | 1.97 | 50 | 4.09 | 104 | 0.4 |
| 1-1/4" | 32 | 0.79 | 20 | 3.03 | 71 | 2.20 | 56 | 4.09 | 104 | 0.6 |
| 1-1/2" | 40 | 0.98 | 25 | 3.27 | 83 | 2.60 | 66 | 4.96 | 126 | 0.9 |
| 2" | 50 | 1.26 | 32 | 3.94 | 100 | 2.83 | 72 | 4.96 | 126 | 1.4 |

We reserve the rights to modify our product design or construction for improvement without prior notice.

2 PIECE BODY 1500/2000 PSI BALL VALVES 660-HP

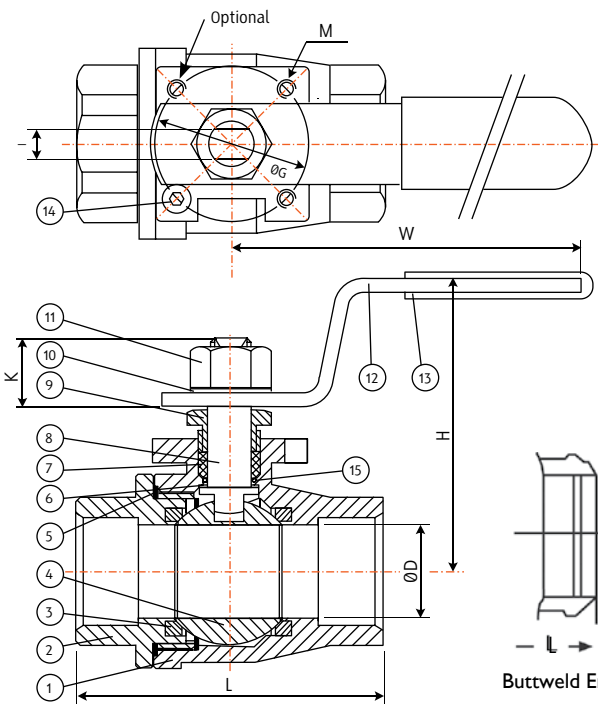
FEATURES

- Reinforced TFE seats increase durability.
- Adjustable packing gland.
- Bottom-loaded blow-out proof stem.
- Low operating torque to reduce automation costs.
- Mounting pad complies with ISO 5211 for ease and interchangeability of actuation.
- Basic design complies with MSS SP-110.
- NPT threaded ends complies with ANSI B 1.20.1.
- BSP threaded ends complies with BS 21, Butt weld also available.
- Tested according to MSS SP-110/API 598.



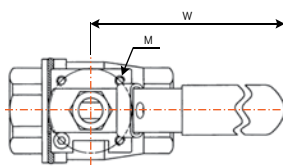
MATERIALS LIST

| No. | Parts | | |
|-----|---------------|--------------------|-------------------|
| 1 | Body | ASTM A351-CF8M/CF8 | ASTM A216-WCB |
| 2 | End Cap | ASTM A351-CF8M/CF8 | ASTM A216-WCB |
| 3 | Seat | RPTFE/PTFE | RPTFE/PTFE |
| 4 | Ball | ASTM A351-CF8M/CF8 | ASTM A351-CF8/304 |
| 5 | Gasket | PTFE | PTFE |
| 6 | Thrust Washer | PTFE | PTFE |
| 7 | Stem Packing | PTFE | PTFE |
| 8 | Stem | ASTM A276-316 | ASTM A276-304 |
| 9 | Gland | AISI 304 | AISI 304 |
| 10 | Handle Washer | AISI 304 | AISI 304 |
| 11 | Handle Nut | AISI 304 | AISI 304 |
| 12 | Handle | AISI 304 | Zinc Plated Steel |
| 13 | Handle Cover | PVC | PVC |
| 14 | Stop Screw | AISI 304 | Carbon Steel |
| 15 | O-Ring | Viton | FKM |



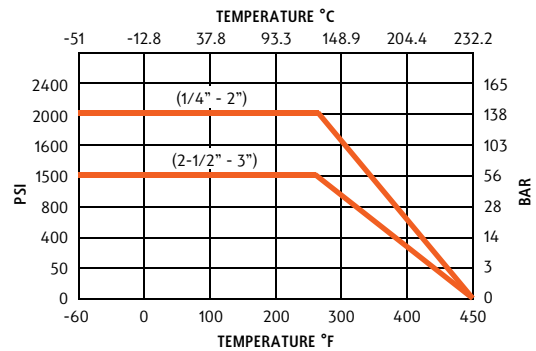
OPTIONS

- L Locking Device
- V Vented Ball
- P Equipped with Pneumatic Actuator
- M Mounting Pad
- W Seal Welded



Option - Seal welded body version also available

PRESSURE/TEMPERATURE RATING



DIMENSIONS

| Size | | ØD | L | I | K | ØG | H | W | M |
|--------|----|------|-----------|----|------|----|-----|-----|----|
| in | mm | mm | mm | mm | mm | mm | mm | mm | mm |
| 1/4" | 8 | 11.6 | 54 | | | | 50 | 96 | |
| 3/8" | 10 | 12.7 | 60 | | | | 50 | 96 | |
| 1/2" | 15 | 15 | 61 / 63 | 5 | 12 | 36 | 62 | 100 | M5 |
| 3/4" | 20 | 20 | 73 | 6 | 13.5 | 36 | 68 | 121 | M5 |
| 1" | 25 | 25.4 | 85 | 8 | 18 | 42 | 80 | 153 | M5 |
| 1-1/4" | 32 | 32 | 97 / 102 | 8 | 18 | 42 | 86 | 153 | M5 |
| 1-1/2" | 40 | 38 | 108 / 115 | 8 | 18 | 50 | 86 | 80 | M6 |
| 2" | 50 | 50 | 124 / 134 | 8 | 18 | 50 | 95 | 180 | M6 |
| 2-1/2" | 65 | 65 | 163 / 168 | 12 | 29 | 70 | 132 | 265 | M8 |
| 3" | 80 | 80 | 185 / 191 | 12 | 29 | 70 | 143 | 265 | M8 |

* For 4" refer to separate drawing

We reserve the rights to modify our product design or construction for improvement without prior notice.

HIGH CYCLE STEM SEAL SYSTEM 2000PSI 2 PIECE BALL VALVES 660-L20H

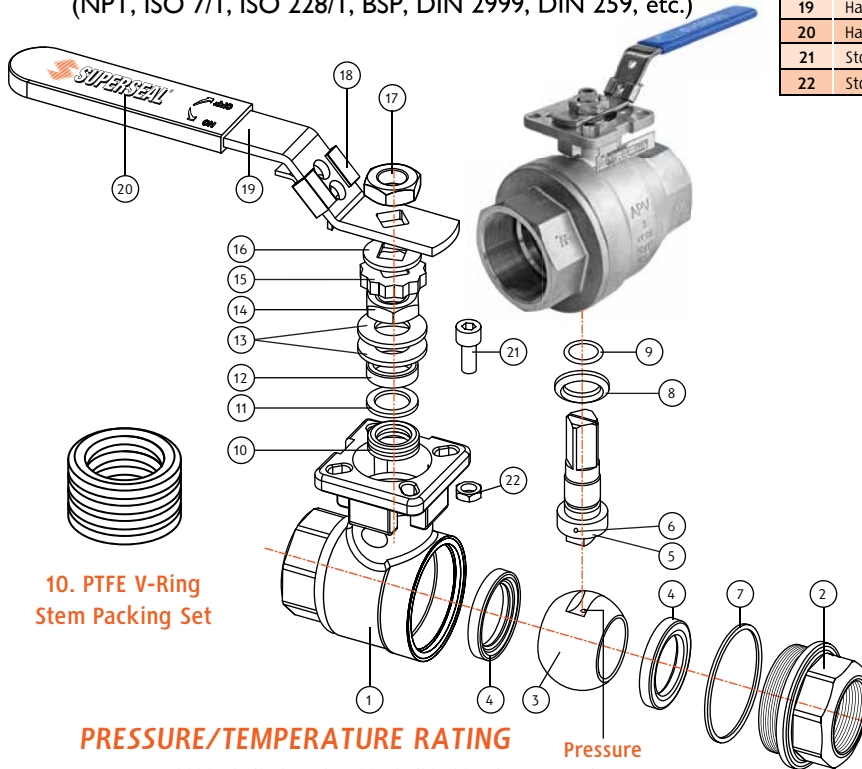
FEATURES

- High Cycle Triple Barrier Stem Seal System
- V-Type Packing for Maximum Stem Sealing
- Full Port DN 8NB~80NB (1/4" - 3")
- 2000PSI (13790 kPa) for 25NB
1500PSI (10342 kPa) for 32~80NB
- Long life for Actuated Valve Applications
- Belleville Washer Set for Automatic Compression of Stem Sealing
- Direct Mount Pad (ISO 521 I)
- TA Luft Fugitive Emission Compliant
- Precision Investment Heavy 2 Piece Cast Body
- Blow-Out Proof Stem
- Available in Carbon Steel or Stainless Steel
- Various End Connections Available (NPT, ISO 7/1, ISO 228/1, BSP, DIN 2999, DIN 259, etc.)



MATERIALS LIST

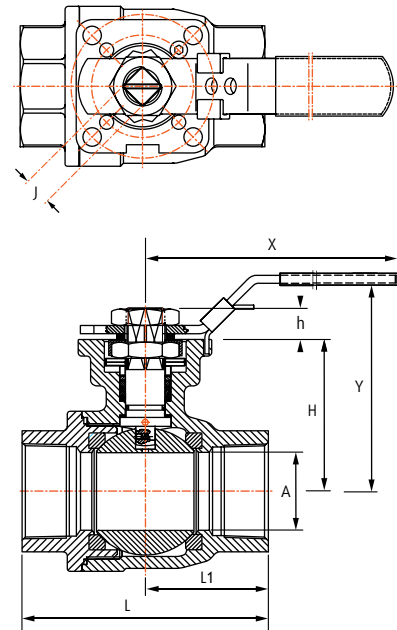
| No. | Part Name | Quantity | Material |
|-----|---------------------|----------|--------------------------|
| 1 | Body | 1 | WCB/CF8M |
| 2 | End Cap | 1 | WCB/CF8M |
| 3 | Ball | 1 | SUS316 |
| 4 | Ball Seat | 2 | TFM4215/TFM 1600/(RPTFE) |
| 5 | Stem | 1 | SUS316 |
| 6 | Antistatic Device | 1 | SUS316 |
| 7 | Body Gasket | 1 | PTFE/TFM1600 |
| 8 | Energised Stem Seal | 1 | PTFE/TFM1600/RTFE |
| 9 | O-Ring | 1 | FKM |
| 10 | Stem Packing Set | 2 or 4 | PTFE V- Rings |
| 11 | Bushing | 2 | 50% SS+50% PTFE |
| 12 | Gland | 1 | SUS316 |
| 13 | Belleville Washers | 2 | SUS301 |
| 14 | Stem Nut | 1 | A194-8/SUS304 |
| 15 | Stop-Lock Cap | 1 | SUS304 |
| 16 | Handle Gland | 1 | SUS304 |
| 17 | Handle Nut | 1 | A194-8/SUS304 |
| 18 | Lock Device | 1 | SUS304 |
| 19 | Handle | 1 | SUS304 |
| 20 | Handle Sleeve | 1 | Vinyl Plastic |
| 21 | Stop Bolt | 1 | A2-70/SUS304 |
| 22 | Stop Nut | 1 | A2-70/SUS304 |



10. PTFE V-Ring Stem Packing Set

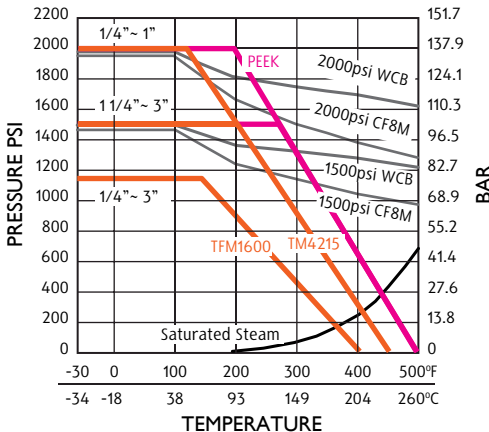
Pressure Balance Hole

Direct Mount Pad



PRESSURE/TEMPERATURE RATING

Full Bore - 2000 PSI (8~25NB) 1500 PSI (32~80NB)



DIMENSIONS & TORQUE

(MM & NM)

| Size | 8 | 10 | 15 | 20 | 25 | 32 | 40 | 50 | 65 | 80 |
|-----------|------|------|------|------|------|--------|--------|------|--------|-------|
| | 1/4" | 3/8" | 1/2" | 3/4" | 1" | 1-1/4" | 1-1/2" | 2" | 2-1/2" | 3" |
| A | 10.6 | 12.7 | 15.0 | 20.0 | 25.0 | 32.0 | 38.0 | 50.0 | 63.5 | 76.0 |
| h | 9.0 | 9.0 | 9.0 | 9.0 | 11.0 | 11.0 | 14.0 | 14.0 | 17.0 | 17.0 |
| H | 43.1 | 43.1 | 43.1 | 50.7 | 58.5 | 63.0 | 73.5 | 83.0 | 102.3 | 110.7 |
| L | 62 | 62 | 75 | 80 | 90 | 110 | 120 | 140 | 185 | 205 |
| L1 | 29.0 | 29.0 | 34.5 | 37.0 | 45.0 | 51.0 | 60.0 | 70.0 | 92.5 | 102.5 |
| J | 9 | 9 | 9 | 9 | 11 | 11 | 14 | 14 | 17 | 17 |
| X | 147 | 147 | 147 | 147 | 177 | 177 | 197 | 197 | 267 | 267 |
| Y | 74 | 74 | 74 | 82 | 90 | 94 | 107 | 117 | 151 | 160 |
| Torque Nm | 7 | 8 | 8 | 9 | 16 | 26 | 37 | 55 | 85 | 146 |

This catalogue is general in its nature and design and can vary at any time. This catalogue is to be used as a guide only.

HIGH CYCLE STEM SEAL SYSTEM 1000PSI 3-PIECE BALL VALVES VT-3-L30

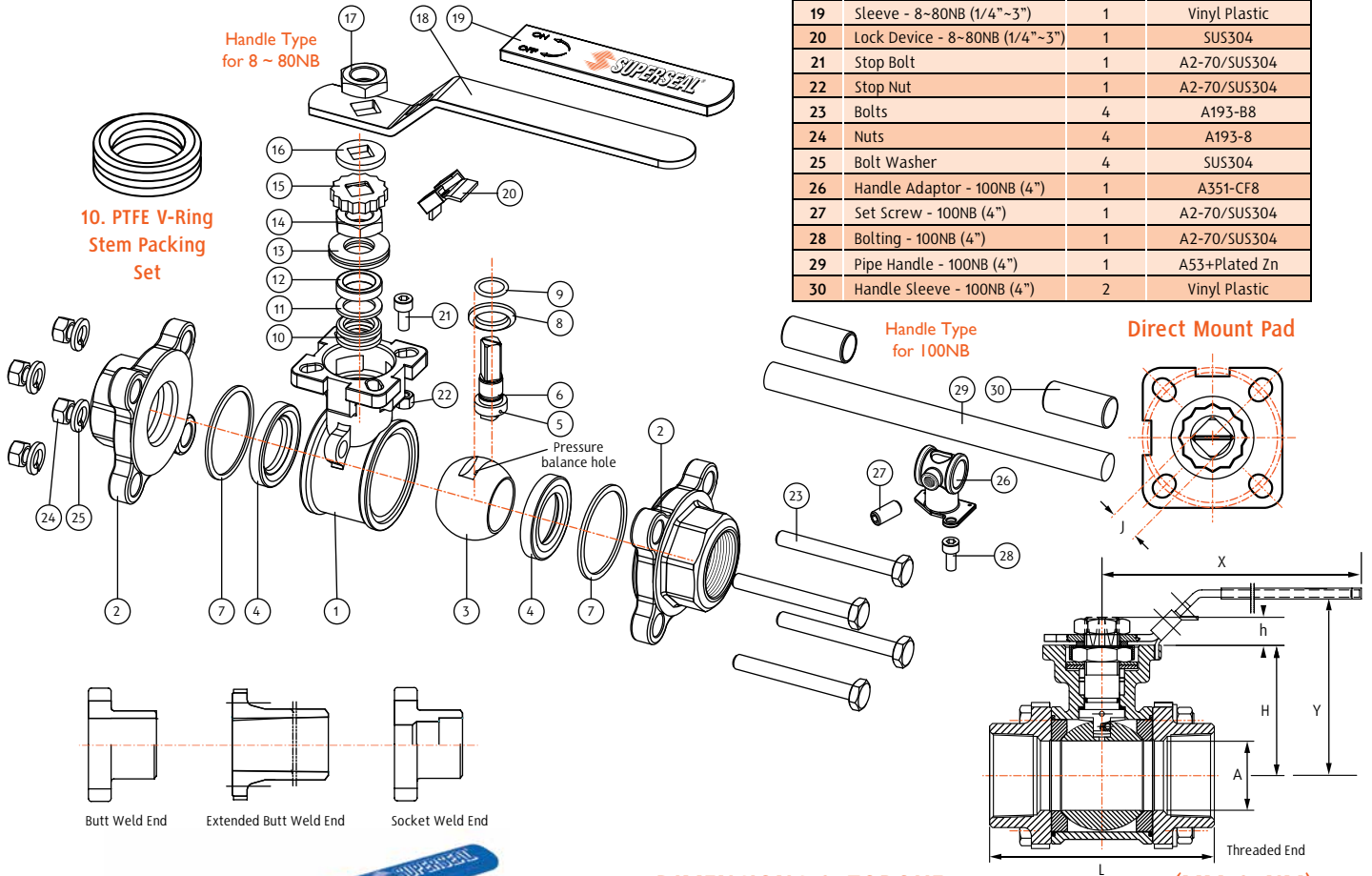
FEATURES

- High Cycle Triple Barrier Stem Seal System
- V-Type Packing for Maximum Stem Sealing
- Full Port DN 8NB~100NB (1/4" - 4")
- 1000PSI (6895 kPa)
- Long life for Actuated Valve Applications
- Belleville Washer Set for Automatic Compression of Stem Sealing
- Direct Mount Pad (ISO 521 I)
- TA Luft Fugitive Emission Compliant
- Precision Investment Heavy 3 Piece Cast Body
- Blow-Out Proof Stem
- Available in Carbon Steel or Stainless Steel
- Various End Connections Available
(NPT, ISO 7/I, ISO 228/I, BSP, DIN 2999, DIN 259, etc.)



MATERIALS LIST

| No. | Part Name | Quantity | Material |
|-----|--------------------------------|----------|-------------------|
| 1 | Body | 1 | WCB/CF8M |
| 2 | End Cap | 1 | WCB/CF8M |
| 3 | Ball | 1 | SUS316 |
| 4 | Seats | 2 | PTFE |
| 5 | Stem | 1 | SUS316 |
| 6 | Antistatic Device | 1 | SUS316 |
| 7 | Body Gasket | 1 | PTFE/TFM1600 |
| 8 | Energised Stem Seal | 1 | PTFE/TFM1600/RTFE |
| 9 | O-Ring | 1 | FKM |
| 10 | Stem Packing Set | 2 or 4 | PTFE V-Rings |
| 11 | Bushing | 2 | 50% SS+50% PTFE |
| 12 | Gland | 1 | SUS316 |
| 13 | Belleville Washer | 2 | SUS301 |
| 14 | Stem Nut | 1 | A194-8/SUS304 |
| 15 | Stop-Lock Cap | 1 | SUS304 |
| 16 | Handle Gland | 1 | SUS304 |
| 17 | Handle Nut - 8~80NB (1/4"~3") | 1 | A194-8/SUS304 |
| 18 | Handle - 8~80NB (1/4"~3") | 1 | SUS304 |
| 19 | Sleeve - 8~80NB (1/4"~3") | 1 | Vinyl Plastic |
| 20 | Lock Device - 8~80NB (1/4"~3") | 1 | SUS304 |
| 21 | Stop Bolt | 1 | A2-70/SUS304 |
| 22 | Stop Nut | 1 | A2-70/SUS304 |
| 23 | Bolts | 4 | A193-B8 |
| 24 | Nuts | 4 | A193-8 |
| 25 | Bolt Washer | 4 | SUS304 |
| 26 | Handle Adaptor - 100NB (4") | 1 | A351-CF8 |
| 27 | Set Screw - 100NB (4") | 1 | A2-70/SUS304 |
| 28 | Bolting - 100NB (4") | 1 | A2-70/SUS304 |
| 29 | Pipe Handle - 100NB (4") | 1 | A53+Plated Zn |
| 30 | Handle Sleeve - 100NB (4") | 2 | Vinyl Plastic |



DIMENSIONS & TORQUE

(MM & NM)

| Size | 8 | 10 | 15 | 20 | 25 | 32 | 40 | 50 | 65 | 80 | 100 |
|-----------|------|------|------|------|------|--------|--------|------|--------|-------|-------|
| | 1/4" | 3/8" | 1/2" | 3/4" | 1" | 1-1/4" | 1-1/2" | 2" | 2-1/2" | 3" | 4" |
| A | 10.6 | 12.7 | 15.0 | 20.0 | 25.0 | 32.0 | 38.0 | 50.0 | 63.5 | 76.0 | 100 |
| h | 9.0 | 9.0 | 9.0 | 9.0 | 11.0 | 11.0 | 14.0 | 14.0 | 17.0 | 17.0 | 22.0 |
| H | 42 | 42 | 42 | 48.5 | 58.5 | 63 | 71.3 | 78.2 | 100 | 108.5 | 140.0 |
| L | 75 | 75 | 75 | 80 | 90 | 110 | 120 | 140 | 185 | 205 | 240 |
| J | 9.0 | 9.0 | 9.0 | 9.0 | 11.0 | 11.0 | 14.0 | 14.0 | 17.0 | 17.0 | 22.0 |
| X | 147 | 147 | 147 | 147 | 177 | 177 | 197 | 197 | 267 | 267 | 400 |
| Y | 72 | 72 | 72 | 79 | 89 | 93 | 103 | 110 | 150 | 159 | 212 |
| Torque Nm | 4.5 | 4.5 | 5 | 6 | 11 | 19 | 26 | 38 | 59 | 101 | 148.0 |

This catalogue is general in its nature and design and can vary at any time. This catalogue is to be used as a guide only.

HIGH CYCLE STEM SEAL SYSTEM 2000PSI 3-PIECE BALL VALVES BV100-L80

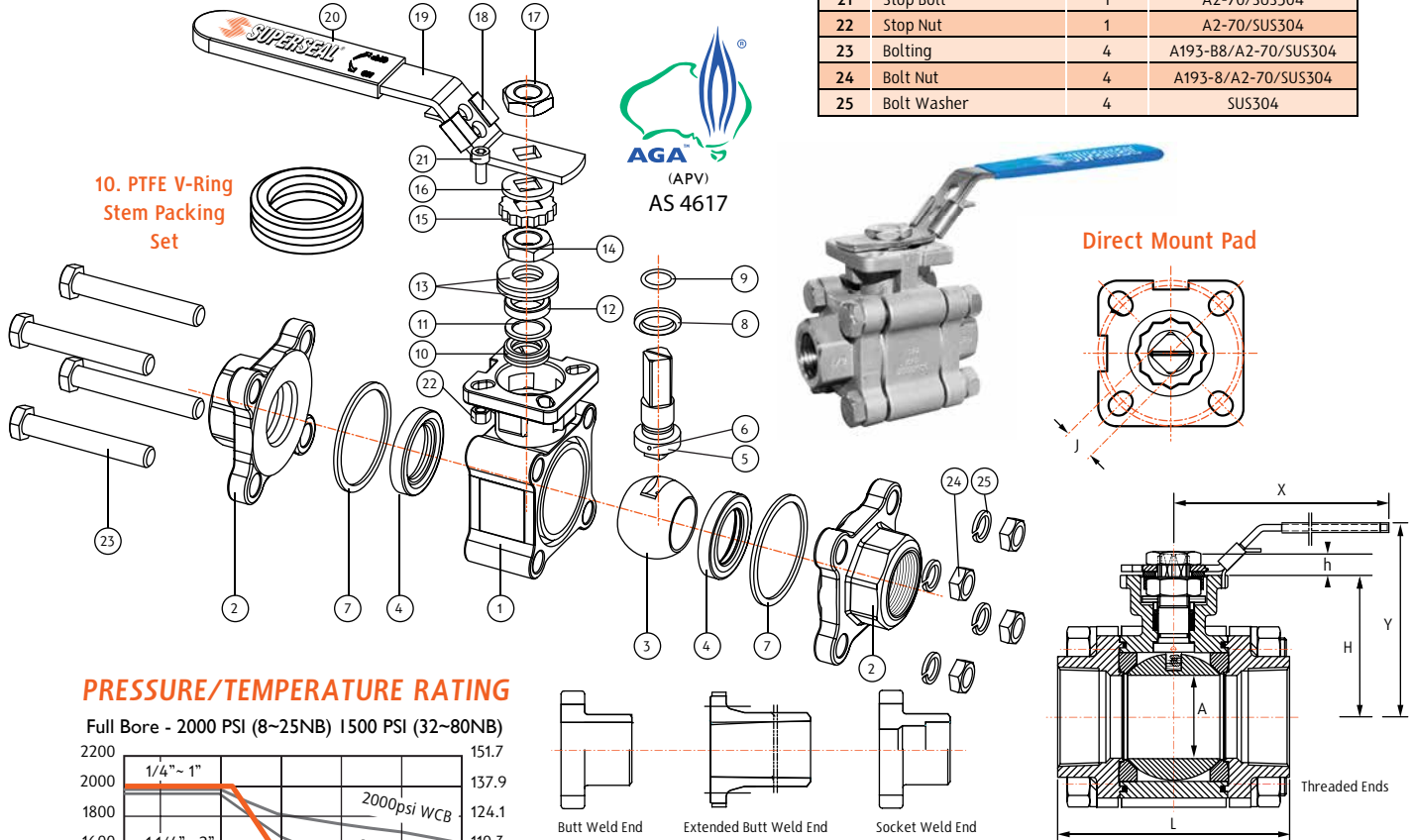
FEATURES

- High Cycle Triple Barrier Stem Seal System
- V-Type Packing for Maximum Stem Sealing
- Full Port DN 8NB~50NB (1/4" - 2")
- 2000PSI (13790 kPa) for 25NB
1500PSI (10342 kPa) for 32~50NB
- Long life for Actuated Valve Applications
- Belleville Washer Set for Automatic Compression of Stem Sealing
- Direct Mount Pad (ISO 521 I)
- Inside Bolting
- TA Luft Fugitive Emission Compliant
- Precision Investment Heavy 3 Piece Cast Body
- Blow-Out Proof Stem
- Available in Carbon Steel or Stainless Steel
- Various End Connections Available
(NPT, ISO 7/1, ISO 228/1, BSP, DIN 2999, DIN 259, etc.)

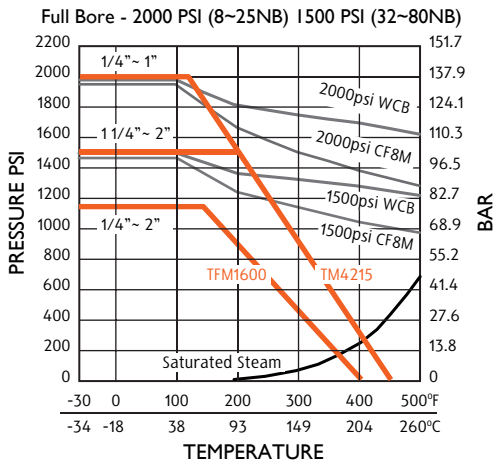


MATERIALS LIST

| No. | Part Name | Quantity | Material |
|-----|---------------------|----------|--------------------------|
| 1 | Body | 1 | WCB/CF8M |
| 2 | End Cap | 1 | WCB/CF8M |
| 3 | Ball | 1 | SUS316 |
| 4 | Ball Seat | 2 | TFM4215/TFM 1600/(RPTFE) |
| 5 | Stem | 1 | SUS316 |
| 6 | Antistatic Device | 1 | SUS316 |
| 7 | Body Gasket | 1 | PTFE/TFM1600 |
| 8 | Energised Stem Seal | 1 | PTFE/TFM1600/RTFE |
| 9 | O-Ring | 1 | FKM |
| 10 | Stem Packing Set | 2 or 4 | PTFE V-Rings |
| 11 | Bushing | 2 | 50% SS+50% PTFE |
| 12 | Gland | 1 | SUS316 |
| 13 | Belleville Washers | 2 | SUS301 |
| 14 | Stem Nut | 1 | A194-8/SUS304 |
| 15 | Stop-Lock Cap | 1 | SUS304 |
| 16 | Handle Gland | 1 | SUS304 |
| 17 | Handle Nut | 1 | A194-8/SUS304 |
| 18 | Lock Device | 1 | SUS304 |
| 19 | Handle | 1 | SUS304 |
| 20 | Handle Sleeve | 1 | Vinyl Plastic |
| 21 | Stop Bolt | 1 | A2-70/SUS304 |
| 22 | Stop Nut | 1 | A2-70/SUS304 |
| 23 | Bolting | 4 | A193-B8/A2-70/SUS304 |
| 24 | Bolt Nut | 4 | A193-8/A2-70/SUS304 |
| 25 | Bolt Washer | 4 | SUS304 |



PRESSURE/TEMPERATURE RATING



DIMENSIONS & TORQUE

(MM & NM)

| Size | 8 | 10 | 15 | 20 | 25 | 32 | 40 | 50 |
|-----------|------|------|------|------|------|--------|--------|------|
| | 1/4" | 3/8" | 1/2" | 3/4" | 1" | 1-1/4" | 1-1/2" | 2" |
| A | 10.6 | 12.7 | 15.0 | 20.0 | 25.0 | 32.0 | 38.0 | 50.0 |
| h | 9.0 | 9.0 | 9.0 | 9.0 | 11.0 | 11.0 | 14.0 | 14.0 |
| H | 43 | 43 | 43 | 51 | 58 | 63 | 75 | 86 |
| L | 75 | 75 | 75 | 80 | 90 | 110 | 120 | 140 |
| J | 9.0 | 9.0 | 9.0 | 9.0 | 11.0 | 11.0 | 14.0 | 14.0 |
| X | 147 | 147 | 147 | 147 | 177 | 177 | 197 | 197 |
| Y | 73 | 73 | 73 | 81 | 88 | 93 | 107 | 118 |
| Torque Nm | 7 | 8 | 8 | 9 | 16 | 26 | 37 | 55 |

This catalogue is general in its nature and design and can vary at any time. This catalogue is to be used as a guide only.

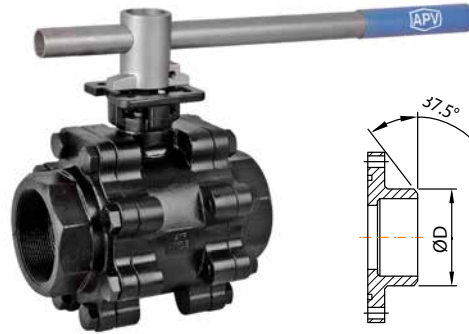
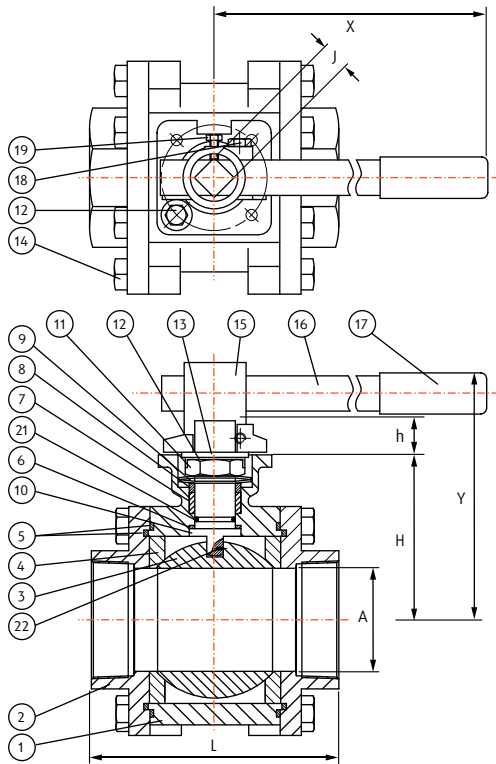
HIGH PRESSURE 1500/2000PSI 3-PIECE BALL VALVES BV100-370

FEATURES

- Full Port DN 65NB~100NB (2 1/2"- 4")
- 2000PSI (13780 kPa) 65NB~80NB
1500PSI (10335 kPa) 100NB
- Long life for Actuated Valve Applications
- Belleville Washer Set for Automatic Compression of Stem Sealing
- Direct Mount Pad (ISO 521 I)
- Precision Investment Heavy 3 Piece Cast Body
- Blow-Out Proof Stem
- Available in Carbon Steel or Stainless Steel
- Various End Connections Available (NPT, ISO 7/I, ISO 228/I, BSP, DIN 2999, DIN 259, etc.)

MATERIALS LIST

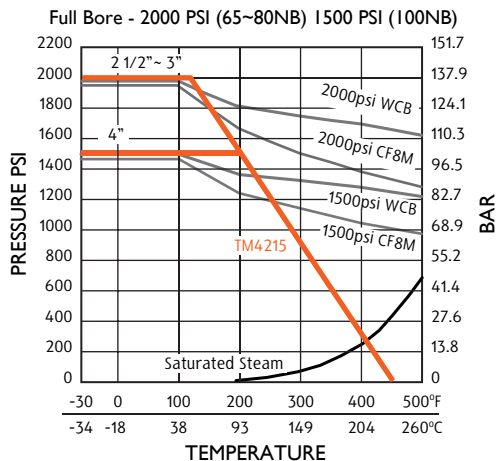
| No. | Part Name | Stainless Steel | Carbon Steel | Quantity |
|-----|---------------------|--------------------|-------------------|----------|
| 1 | Body | ASTM A351 CF8M | ASTM A216 WCB | 1 |
| 2 | End Cap | ASTM A351 CF8M | ASTM A216 WCB | 2 |
| 3 | Ball | ASTM A351 CF8M/316 | ASTM A351 CF8/304 | 1 |
| 4 | Seats | PTFE / R-TFE | PTFE / R-TFE | 2 |
| 5-1 | Body Gasket - Outer | Graphite/PTFE | Graphite / PTFE | 2 |
| 5-2 | Body Gasket - Inner | PTFE | PTFE | 2 |
| 6-1 | Thrust Washer | Graphite/PTFE | Graphite/PTFE | 1 |
| 6-2 | | PTFE | PTFE | 1 |
| 7 | Stem Packing | Graphite/PTFE | Graphite/PTFE | 2 |
| 8 | Gland | AISI 304 | AISI 304 | 1 |
| 9 | Belleville Washer | AISI 301 | AISI 301 | 2 |
| 10 | Stem | ASTM A276 316 | ASTM A276 304 | 1 |
| 11 | Gland Nut | AISI 304 | AISI 304 | 1 |
| 12 | Lock Clip | AISI 304 | AISI 304 | 1 |
| 13 | Flat Washer | AISI 304 | AISI 304 | 1 |
| 14 | Body Bolt | ASTM A193 B8 | ASTM A193 B7 | 12-16 |
| 15 | Handle | ASTM A351 CF8 | CARBON STEEL | 1 |
| 16 | Steel Pipe | AISI 304 | CARBON STEEL | 1 |
| 17 | Sleeve | Vinyl Plastisol | Vinyl Plastisol | 1 |
| 18 | Fixing Screw (Pipe) | AISI 304 | CARBON STEEL | 1 |
| 19 | Fixing Screw (Stem) | AISI 304 | CARBON STEEL | 1 |
| 20 | Stop Pin | AISI 304 | CARBON STEEL | 1 |
| 21 | Stem O-Ring | Viton / NBR | Viton / NBR | 1 |
| 22 | Antistatic Device | AISI 316 | AISI 316 | 1 |



Butt Weld

Socket Weld

PRESSURE/TEMPERATURE RATING



DIMENSIONS, WEIGHT & TORQUE (MM, KG & NM)

| Size | 65 | 80 | 100 |
|------------|---------|---------|-------|
| | 2-1/2" | 3" | 4" |
| A | 65 | 80 | 100 |
| h | 24 | 24 | 29 |
| H | 116.5 | 127.0 | 159.0 |
| L | 185 | 205 | 240 |
| J | 22 | 22 | 27 |
| X | 460 | 460 | 600 |
| Y | 173 | 184 | 242 |
| ØB | 73.9 | 89.8 | 115.2 |
| ØD | 76.3 | 89.1 | 114.3 |
| C | 17 | 17 | 20 |
| ISO 5211 | F07-F10 | F07-F10 | F10 |
| Weights Kg | 13.4 | 21.0 | 34.4 |
| Torque Nm | 85 | 96 | 185 |

This catalogue is general in it's nature and design and can vary at any time. This catalogue is to be used as a guide only.

HIGH CYCLE STEM SEAL SYSTEM 1000PSI 3-PIECE BALL VALVES VT-3-M30

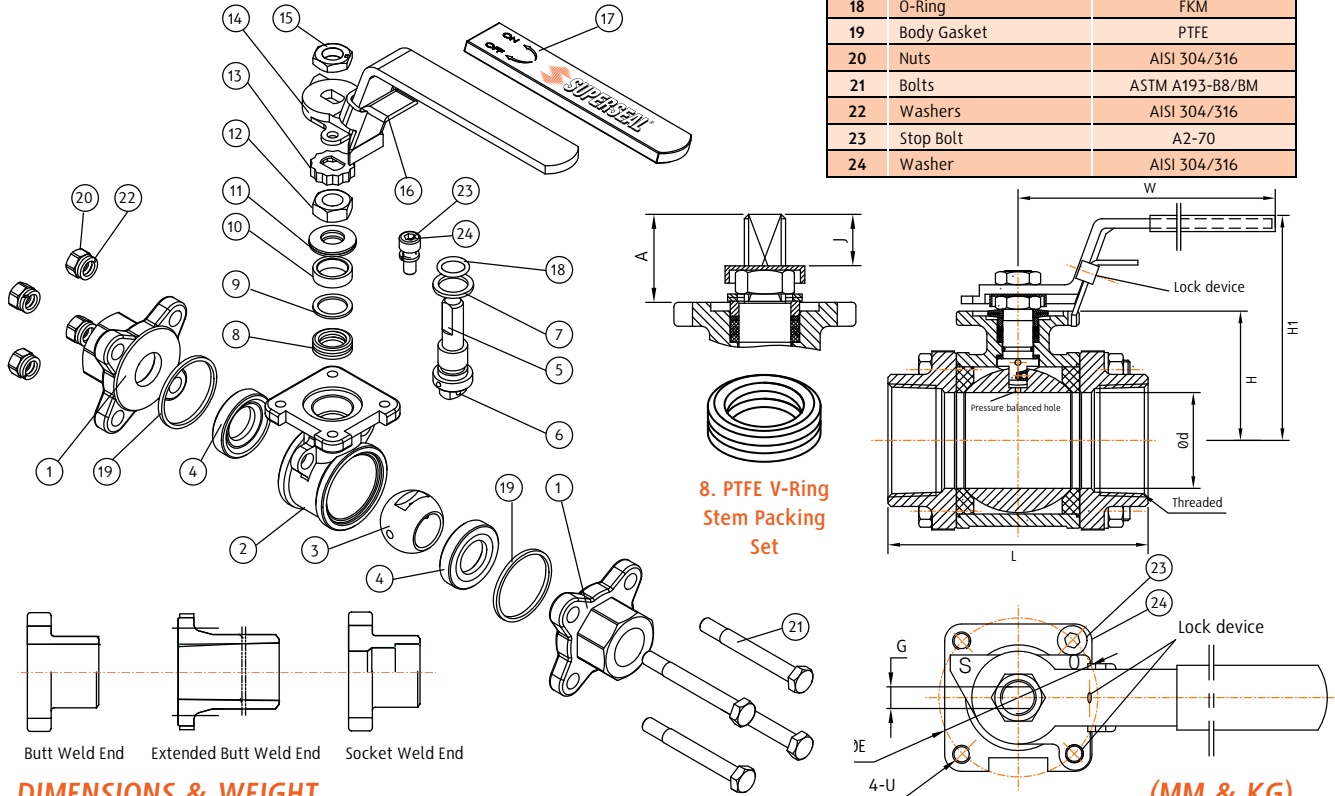
FEATURES

- High Cycle Triple Barrier Stem Seal System
- V-Type Packing for Maximum Stem Sealing
- Full Port DN 8NB~80NB (1/4" - 3")
- 1000PSI (6895 kPa) for 8~80NB
- Long life for Actuated Valve Applications
- Belleville Washer Set for Automatic Compression of Stem Sealing
- Mount Pad (ISO 521 I)
- TA Luft Fugitive Emission Compliant
- Precision Investment Heavy 3 Piece Cast Body
- Blow-Out Proof Stem
- Available in Carbon Steel or Stainless Steel
- Various End Connections Available (NPT, ISO 7/I, ISO 228/I, BSP, DIN 2999, DIN 259, etc.)



MATERIALS LIST

| No. | Part Name | Material |
|-----|------------------------|-----------------|
| 1 | End Cap | WCB/CF8M |
| 2 | Body | WCB/CF8M |
| 3 | Ball | CF8M |
| 4 | Seats | PTFE/TFM1600 |
| 5 | Stem | ASTM A276 316 |
| 6 | Antistatic Spring/Ball | SUS316 |
| 7 | Stem Thrust Seal | PTFE |
| 8 | Packing | V-Type PTFE |
| 9 | Bushing | 50% SS+50% PTFE |
| 10 | Gland | AISI 316 |
| 11 | Belleville Washer Set | AISI 301 |
| 12 | Stem Nut | ASTM A194-8 |
| 13 | Stop-Lock-Cap | AISI 304 |
| 14 | Handle | ASTM A351 CF8 |
| 15 | Handle Nut | ASTM A194-8 |
| 16 | Lock Device | AISI 304 |
| 17 | Handle Sleeve | Vinyl Plastic |
| 18 | O-Ring | FKM |
| 19 | Body Gasket | PTFE |
| 20 | Nuts | AISI 304/316 |
| 21 | Bolts | ASTM A193-B8/BM |
| 22 | Washers | AISI 304/316 |
| 23 | Stop Bolt | A2-70 |
| 24 | Washer | AISI 304/316 |



DIMENSIONS & WEIGHT

| Size DN | 8 | 10 | 15 | 20 | 25 | 32 | 40 | 50 | 65 | 80 |
|-----------|-----------|-----------|-----------|-----------|------------|------------|------------|-----------|-----------|-----------|
| Size inch | 1/4" | 3/8" | 1/2" | 3/4" | 1" | 1-1/4" | 1-1/2" | 2" | 2-1/2" | 3" |
| L | 68.0 | 68.0 | 73.0 | 80.0 | 90.0 | 110.0 | 120.0 | 140.0 | 185.0 | 205.0 |
| d | 10.6 | 12.7 | 15.0 | 20.0 | 25.0 | 32.0 | 38.0 | 50.0 | 63.5 | 76.0 |
| H | 29.5 | 29.5 | 35.5 | 38.5 | 45.5 | 51.0 | 60.5 | 68.5 | 86.5 | 94.5 |
| H1 | 76.0 | 76.0 | 83.0 | 88.0 | 98.0 | 103.0 | 110.0 | 119.0 | 147.0 | 155.0 |
| W | 135 | 135.0 | 135.0 | 135.0 | 170.0 | 170.0 | 200.0 | 200.0 | 250.0 | 250.0 |
| E | 42.0 | 42.0 | 42.0 | 42.0 | 50.0 | 50.0 | 70.0 | 70.0 | 102.0 | 102.0 |
| G | 6.3 | 6.3 | 6.3 | 6.3 | 9.0 | 9.0 | 9.6 | 9.6 | 16.0 | 16.0 |
| K | 3/8-24UNF | 3/8-24UNF | 3/8-24UNF | 3/8-24UNF | 3/16-18UNF | 3/16-18UNF | 3/16-18UNF | 5/8-18UNF | 7/8-14UNF | 7/8-14UNF |
| U | M5 | M5 | M5 | M5 | M6 | M6 | M8 | M8 | M10 | M10 |
| A | 17.3 | 17.3 | 20.3 | 20.3 | 23.3 | 23.3 | 23.8 | 23.8 | 42.5 | 42.5 |
| J | 10.4 | 10.4 | 11.8 | 11.8 | 12.5 | 12.5 | 15.1 | 15.1 | 23.5 | 23.5 |
| ISO 5211 | F04 | F04 | F04 | F04 | F05 | F05 | F07 | F07 | F10 | F10 |
| Weight | 0.64 | 0.65 | 1.50 | 2.09 | 3.09 | 4.87 | 6.59 | 9.92 | 18.5 | 27.1 |

This catalogue is general in its nature and design and can vary at any time. This catalogue is to be used as a guide only.

SPRING RETURN DEADMAN HANDLE KITS FOR QUARTER TURN VALVES S71(-Z)



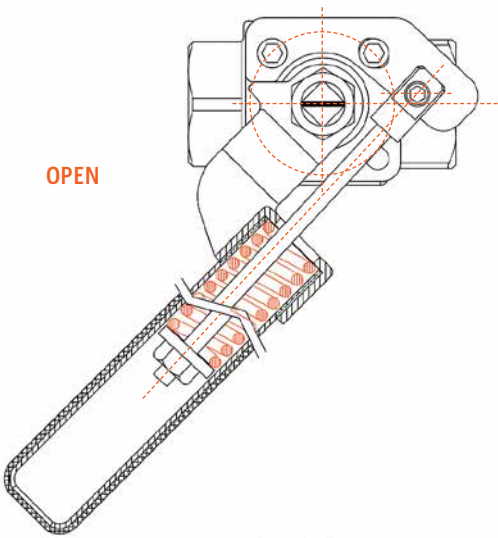
FEATURES

- All components of lever are stainless steel
- Operating torque should be sized according to valve torque, media, pressure and safety.
- Can be fitted on 1P, 2P, 3P valve
- Available in ISO F03 to F07
- 55CrSi Spring Material

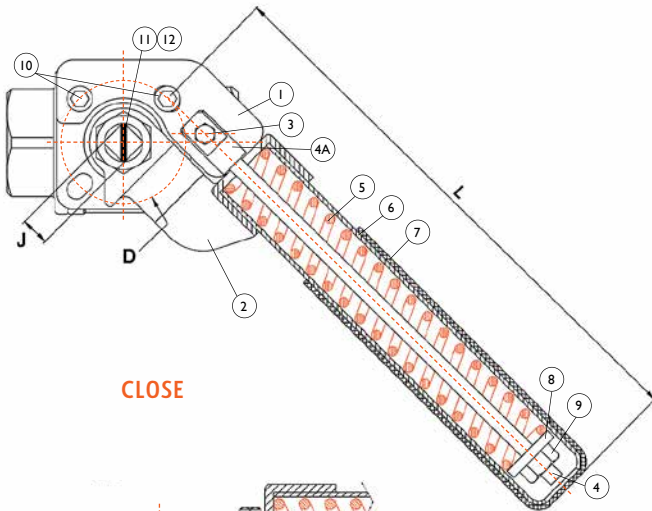


MATERIALS LIST

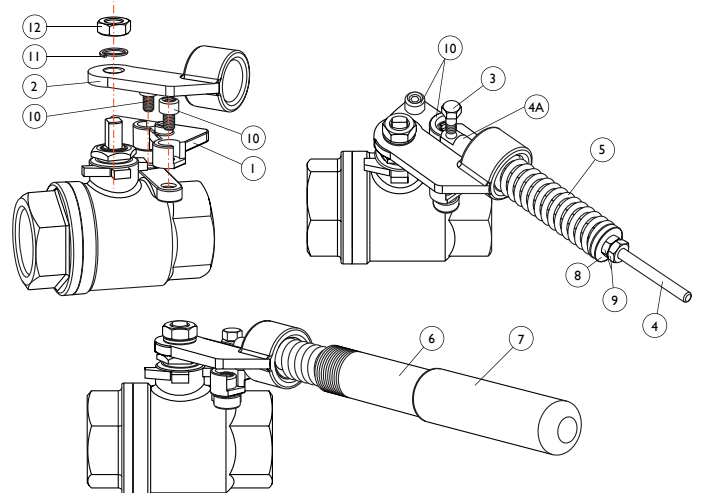
| Item | Part Name | Quantity | Materials |
|------|--------------------|----------|-----------|
| 1 | Handle Head | 1 | CF8 |
| 2 | Anchor | 1 | CF8 |
| 3 | Anchor Screw | 1 | SS 304 |
| 4 | Spring Rod | 1 | SS 304 |
| 4A | Spring Rod Anchor | 1 | SS 304 |
| 5 | Spring | 1 | SS 301 |
| 6 | Handle Extension | 1 | SS 304 |
| 7 | Sleeve | 1 | PVC |
| 8 | Washer | 2 | SS 304 |
| 9 | Hex Nut | 2 | SS 304 |
| 10 | Socket Head Screws | 2 | SS 304 |
| 11 | Washer | 1 | SS 304 |
| 12 | Nut | 1 | SS 304 |



OPEN



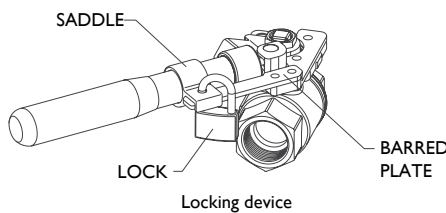
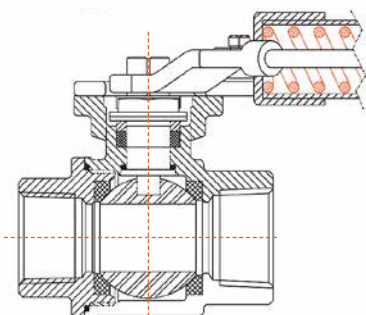
CLOSE



DIMENSIONS & TORQUE

| Kit Part No. | L | J* | D (ISO 5211) | Torque |
|--------------|-----|----|--------------|--------|
| S71-504-00-Z | 170 | 9 | F03/F04 | 15Nm |
| S71-507-00-Z | 207 | 9 | F03/F04 | 20Nm |
| S71-507-01-Z | 220 | 11 | F04/F05 | 20Nm |
| S71-508-00-Z | 275 | 11 | F04/F05 | 30Nm |
| S71-508-01-Z | 280 | 14 | F05/F07 | 30Nm |
| S71-509-01-Z | 450 | 14 | F05/F07 | 55Nm |

*Available unmachined



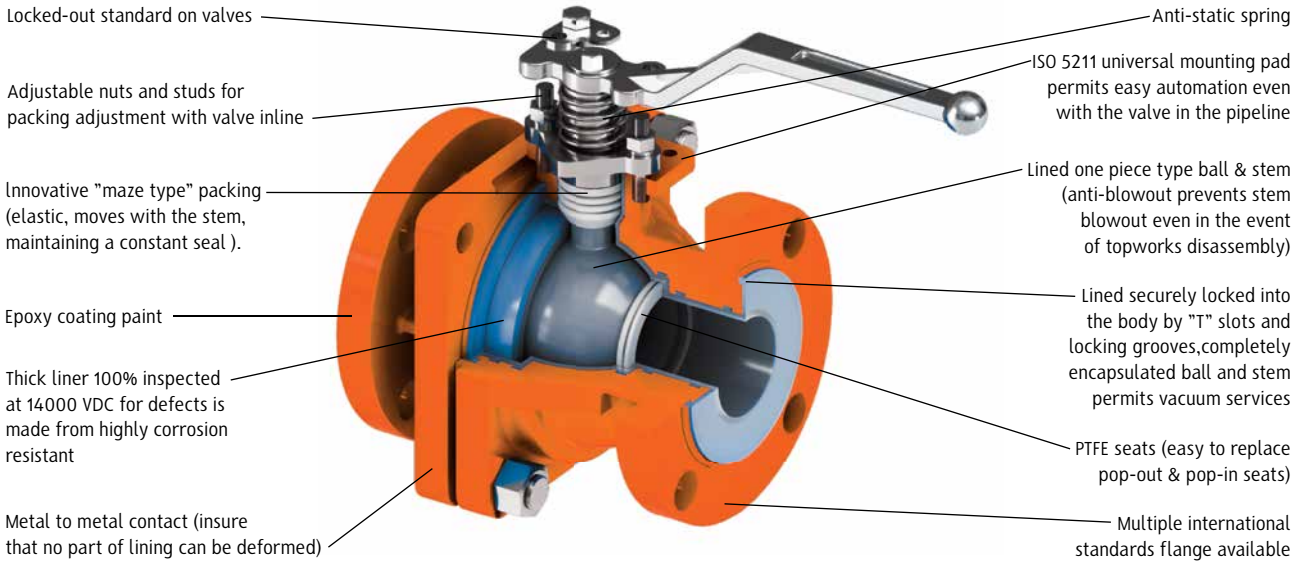
Model S71 (100NM Torque)
see Flowturn Multiway & Deadman
Ball Valves Catalogue

LINED BALL VALVES DO SERIES

The DO Series ball valves are ideally suited for corrosive applications, requiring reliable performance, tight shutoff, and constant torque. The valves successfully handle a multitude of corrosive applications in industries such as chemical, petrochemical, pharmaceutical, pulp and paper, foundries and mining like sulphuric acid, etc.

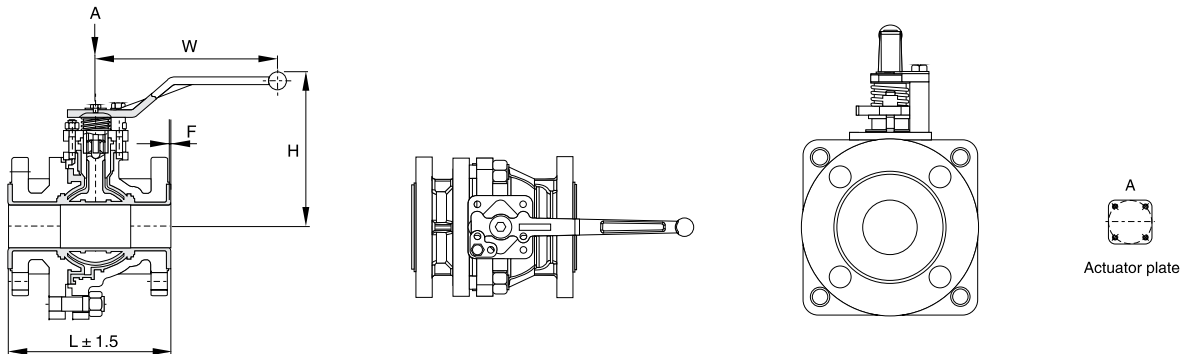
SPECIFICATIONS

| | |
|-----------------|---|
| Size | 1/2" -12" |
| Pressure | Class 150 |
| Design Standard | API 608 |
| Connection | Flanged, ASME B16.5 |
| Testing | API 598 |
| P/T | ASME B16.34 |
| Body Material | ASTM A216 WCB, A351-CF8, Ductile Iron, etc. |
| Lining Material | PFA, PTFE, FEP, ETFE |

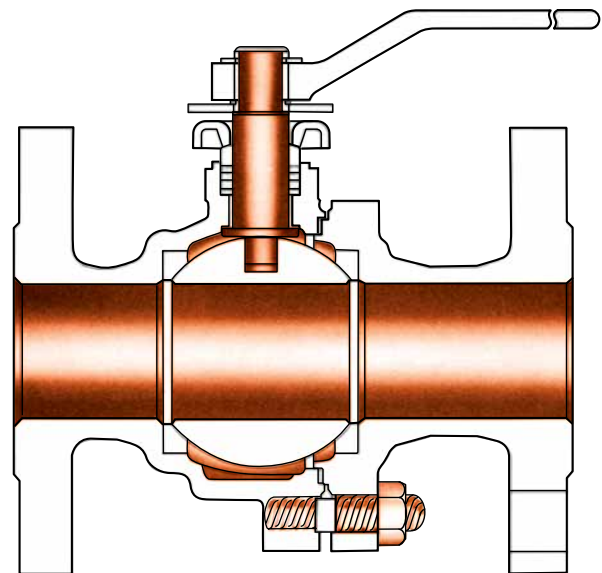
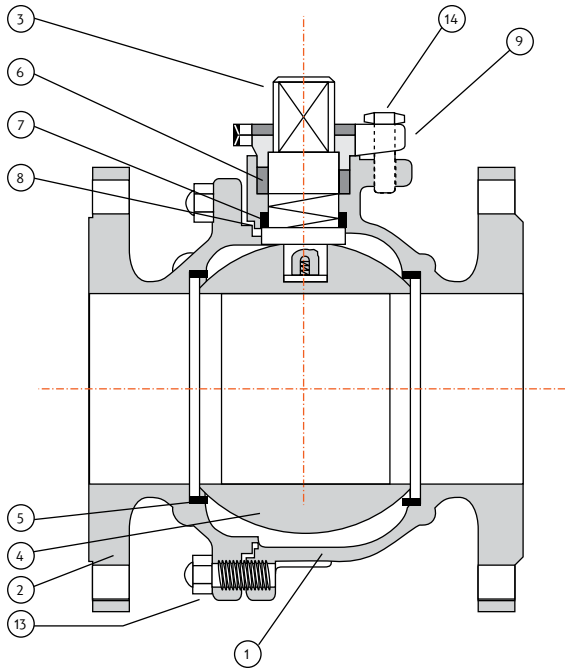


DIMENSIONS

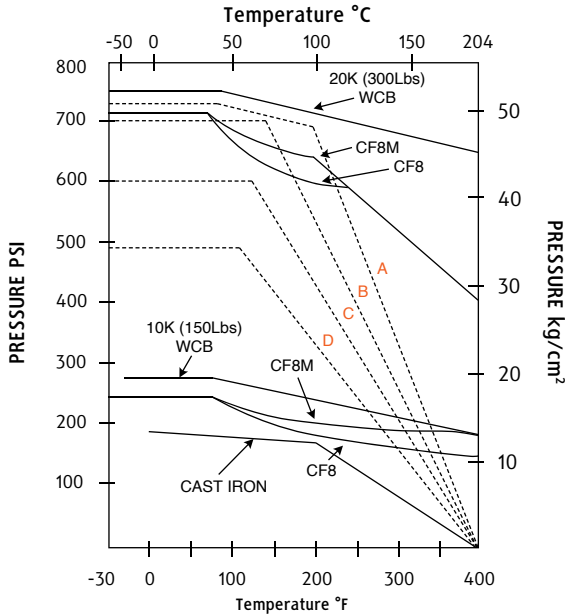
| DN | NPS | ASME 150LB | | | JIS 10K | | | DIN PN10 | | | A ISO 5211 | Weight kg | CV | Torque N.m |
|-----|------|------------|----------|-----|---------|----------|-----|----------|----------|-----|---------------|--------------|-------|---------------|
| | | L | H | W | L | H | W | L | H | W | | | | |
| 15 | 0.5 | 108 | 126 | 160 | 130 | 126 | 160 | 130 | 126 | 160 | F05 | 3.5 | 20 | 9 |
| 20 | 0.75 | 117 | 126 | 160 | 150 | 126 | 160 | 150 | 126 | 160 | F05 | 4.6 | 20 | 9 |
| 25 | 1 | 127 | 131 | 160 | 160 | 131 | 160 | 160 | 131 | 160 | F05 | 5 | 55 | 9 |
| 32 | 1.25 | 140 | 131 | 160 | 180 | 131 | 160 | 180 | 131 | 160 | F05 | 5.5 | 55 | 20 |
| 40 | 1.5 | 165 | 160 | 200 | 200 | 160 | 200 | 200 | 160 | 200 | F07 | 11 | 210 | 20 |
| 50 | 2 | 178 | 170 | 200 | 230 | 170 | 200 | 230 | 170 | 200 | F07 | 14 | 310 | 26 |
| 65 | 2.5 | 190 | 170 | 200 | 290 | 170 | 200 | 290 | 170 | 200 | F07 | 19 | 310 | 26 |
| 80 | 3 | 203 | 230 | 260 | 310 | 230 | 260 | 310 | 230 | 260 | F07 | 28.8 | 684 | 65 |
| 100 | 4 | 229 | 265 | 313 | 350 | 265 | 313 | 350 | 265 | 313 | F10 | 44.8 | 1456 | 91 |
| 125 | 5 | / | 265 | 313 | 400 | 265 | 313 | 400 | 265 | 313 | F10 | 51 | 1546 | 91 |
| 150 | 6 | 267 | 347 | 535 | 480 | 347 | 535 | 480 | 347 | 535 | F12 | 96.2 | 3262 | 143 |
| 200 | 8 | 292 | Gear Box | | 600 | Gear Box | | 600 | Gear Box | | F14 | 118 | 4565 | 364 |
| 250 | 10 | 533 | | | 730 | | | 730 | | | F14 | 330 | 10250 | 455 |
| 300 | 12 | 610 | | | 850 | | | 850 | | | F16 | 460 | 17500 | 494 |



FLANGED 2 PIECE FLANGED BALL VALVE SLBV01 SERIES



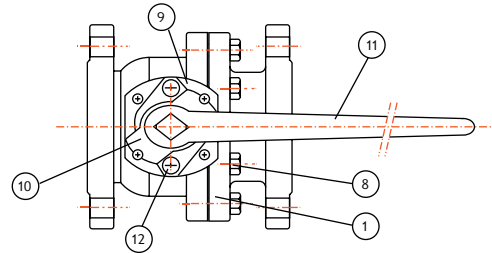
PRESSURE RATINGS WITH REINFORCED - PTFE



- A. Valve size 15A (1/2") to 25A(1")
- B. Valve size 40A (-1/2") to 65A(2-1/2")
- C. Valve size 80A (3") to 100A(4")
- D. Valve size 125A (5") to 250A(10")

Carbon PTFE will do higher temperatures.
PEEK, bronze PTFE and metal seat also available.

- Full or reduced bore, solid ball
- 2 piece split body design
- Temperature range -25 to 220°C
- Lever operated
- Floating Ball design, bidirectional sealing
- Vacuum service to 20 microns (133 pascals)
- ISO mount pad available.
- Also available in flanged AS 2129 Table D/E, AS 4087 PN10, PN16, PN25 & EN 1066-2 PN10, PN16, PN25



MATERIAL LIST

| No. | Description | Iron | S/S | S/S | Steel |
|-----|----------------|-------------|--------|--------|--------|
| 1 | Body | FC-20 | CF8 | CF8M | WCB |
| 2 | Body Cap | FC-20 | SUS304 | SUS316 | WCB |
| 3 | Stem | 304 or CR13 | SUS304 | SUS316 | 316 |
| 4 | Ball | 304 or CR13 | SUS304 | SUS316 | SUS304 |
| 5 | Ball Seat | PTFE | PTFE | PTFE | PTFE |
| 6 | Gland Packing | PTFE | PTFE | PTFE | PTFE |
| 7 | Stem Seal | PTFE | PTFE | PTFE | PTFE |
| 8 | Joint Gasket | PTFE | PTFE | PTFE | PTFE |
| 9 | Gland Flange | FC-20 | SUS304 | SUS304 | WCB |
| 10 | Travel Stopper | SS41 | SUS304 | SUS304 | SS41 |
| 11 | Handle | FC-20 | FC-20 | FC-20 | FC-20 |
| 12 | Gland Bolt | SS41 | SUS304 | SUS304 | SS41 |
| 13 | Body Stud/Nut | B7/2H | SUS304 | SUS304 | B7/2H |
| 14 | Cap Bolt | SS41 | SUS304 | SUS304 | SS41 |

Indicative bill of material only. Refer as built drawing.

DIMENSION LIST

ANSI 125 & 150

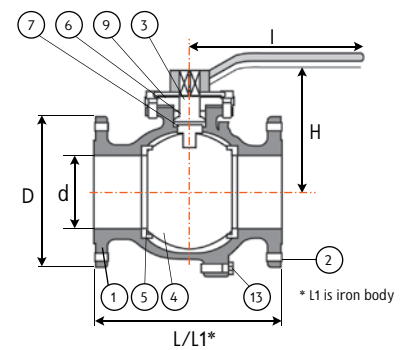
UNIT/MM

| Size | Inch | 1/2 | 3/4 | 1 | 1-1/4 | 1-1/2 | 2 | 2-1/2 | 3 | 4 | 5 | 6 | 8 | 10 | 12† |
|-------------------|------|-----|-----|-----|-------|-------|-----|-------|------|------|------|------|---------|-------|-------|
| | mm | 15 | 20 | 25 | 32 | 40 | 50 | 65 | 80 | 100 | 125 | 150 | 200 | 250 | 300 |
| d | | 15 | 20 | 25 | 32 | 38 | 50 | 64 | 78 | 98 | 123 | 148 | 200 | 250 | 12 |
| L | | 108 | 117 | 127 | 140 | 165 | 178 | 190 | 203 | 230 | 356 | 394 | 457 | 533 | 610 |
| L1 (Iron Body) | | | | | | | 200 | 220 | 250 | 280 | 320 | 360 | 292/452 | | |
| D | | 89 | 98 | 108 | 117 | 127 | 152 | 178 | 190 | 229 | 254 | 279 | 343 | 406 | 433 |
| H | | 90 | 90 | 110 | 110 | 130 | 140 | 155 | 180 | 180 | 230 | 260 | 290 | 420 | 470 |
| I | | 75 | 75 | 75 | 75 | 230 | 230 | 340 | 340 | 340 | 380 | 510 | 720 | | |
| KG | | 3 | 3 | 4 | 5 | 10 | 11 | 17 | 23 | 40 | 100 | 105 | 170 | 239 | 430 |
| Torque* (inch LB) | | 100 | 175 | 300 | 390 | 450 | 600 | 800 | 1200 | 2300 | 3200 | 4600 | 9980 | 11000 | 18000 |
| CV | | 10 | 20 | 50 | 130 | 160 | 330 | 450 | 600 | 1200 | 2700 | 3300 | 9000 | 12000 | |

* Torque is maximum breakaway at maximum differential (running torque is 1/3 of breakaway).

Only a 20% safety factory is included.

† Over 250NB (10") are gear operated.



* L1 is iron body

DIMENSION LIST

ANSI 300LB

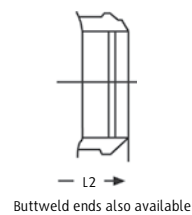
UNIT/MM

| Size | Inch | 1 | 1-1/2 | 2 | 2-1/2 | 3 | 4 | 6 | 8 | 10 | 12† |
|---------------------|------|-----|-------|-----|-------|------|------|-------|------|-----|-----|
| | mm | 25 | 40 | 50 | 65 | 80 | 100 | 150 | 200 | 250 | 300 |
| d | | 25 | 38 | 50 | 64 | 78 | 98 | 148 | 200 | 250 | 300 |
| L | | 165 | 190 | 216 | 241 | 283 | 305 | 403 | 502 | 568 | 648 |
| D | | 125 | 156 | 165 | 191 | 210 | 254 | 318 | 381 | 445 | 520 |
| H | | 94 | 115 | 120 | 155 | 162 | 191 | 290 | 340 | 420 | 470 |
| I | | 160 | 230 | 230 | 400 | 400 | 750 | 1000 | 1500 | | |
| KG | | 5 | 10 | 16 | 22 | 31 | 52 | 105 | 170 | 300 | 400 |
| Torque *1 (inch LB) | | 285 | 590 | 760 | 1390 | 2800 | 6800 | 11990 | | | |
| CV | | 50 | 150 | 330 | 450 | 600 | 1200 | 3300 | 9000 | | |

* Torque is maximum breakaway at maximum differential (running torque is 1/3 of breakaway).

Only a 20% safety factory is included.

† Over 250NB (10") are gear operated.



This brochure is general and subject to change without notice



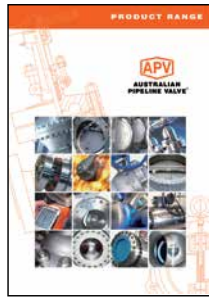
AUSTRALIAN PIPELINE VALVE®

COMPLETE PRODUCT LINE

“Australian Pipeline Valve produces isolation, control and flow reversal protection products for severe and critical service media in utility, steam, pipelines, oil & gas and process industries. APV valves and pipeline products form the most competitive portfolio in the market.”



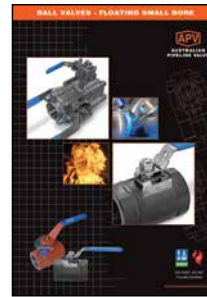
AUSTRALIAN PIPELINE VALVE BRAND RANGE - CATALOGUES



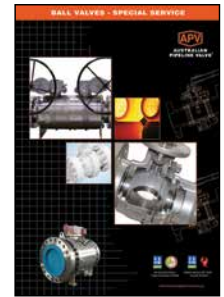
Product Brochure



Ball Valves Floating & Trunnion Mounted



Ball Valves Floating Small Bore



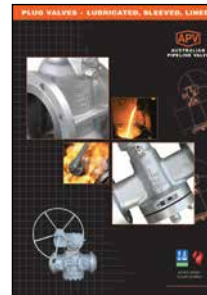
Ball Valves Special Service



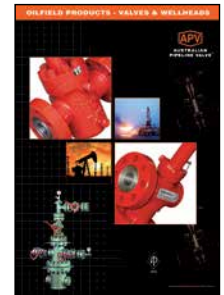
Gate, Globe & Check Valves - Cast Steel



Gate, Globe & Check Valves - Forged Steel



Plug Valves Lubricated, Sleeved & Lined



Oilfield Products Valves & Wellheads

APV FAMILY OF BRANDS RANGE - CATALOGUES



Diamond Gear Gearboxes



Flowturn Ball Valves Multiway & Deadman



Flowturn Gate, Globe & Check Valves



Flowturn Instrument Valves



Flowturn Strainers & Sight Glasses



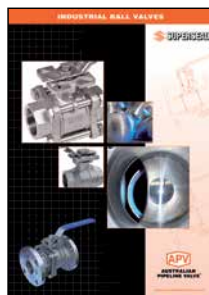
Steamco Steam Valves



Supercheck Wafer Check Valves



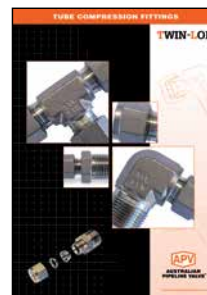
Superseal Butterfly Valves



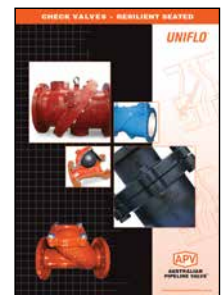
Superseal Industrial Ball Valves



Torqturn Actuators



TwinLok Tube Fittings



Uniflo Check Valves

Contact us for your local stockist/distributor



AUSTRALIAN PIPELINE VALVE®

ADELAIDE • BRISBANE • PERTH



www.australianpipelinevalve.com.au

LOCAL DISTRIBUTOR

Global Supply Line is distributor & stockist, supplying worldwide.
Full stock list on line www.globalsupplyline.com.au

Contact email: sales@globalsupplyline.com.au



QUALITY ASSURANCE AND CERTIFICATION

We are continually improving all facets of quality assurance. Full metallurgical and test certificates are always supplied for all pressure retaining parts, we also provide it on all major trim components.

We have endeavoured to provide a broad outline of our range and capabilities. Because we are continually developing new products for our customers this catalogue will, to some extent be incomplete. This catalogue is a general overview only, individual drawings and data sheets can be furnished on request.

If you have any requirement in the field of valves, please contact us for a prompt response. Continuous development of Australian Pipeline Valve products may necessitate changes in the design or manufacturing processes. Australian Pipeline Valve reserves the right to effect any such changes without prior notice.

