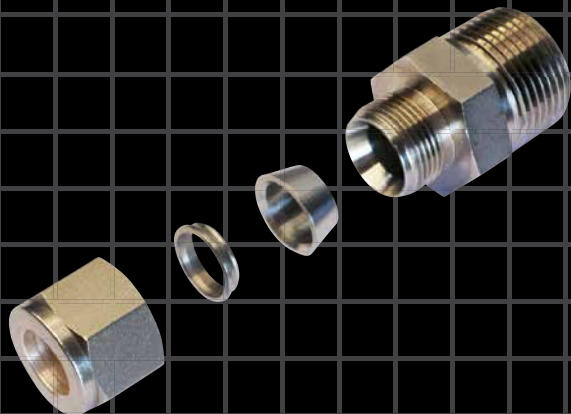
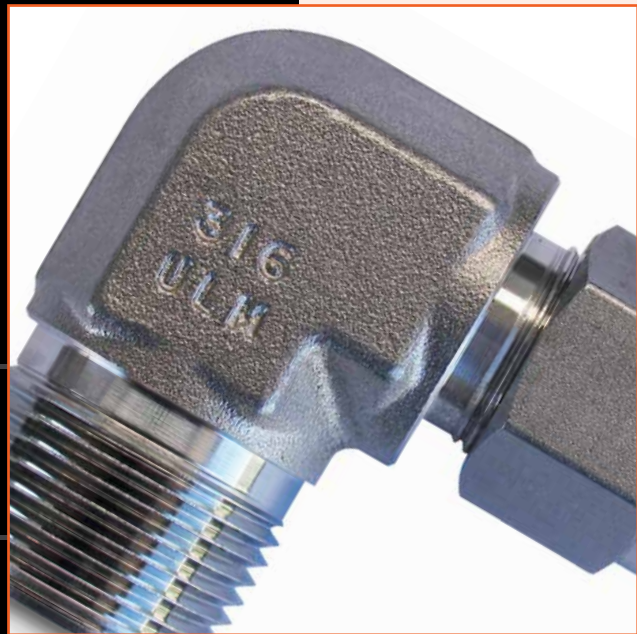
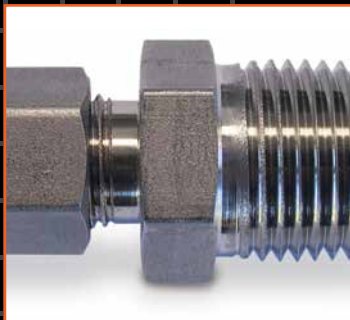
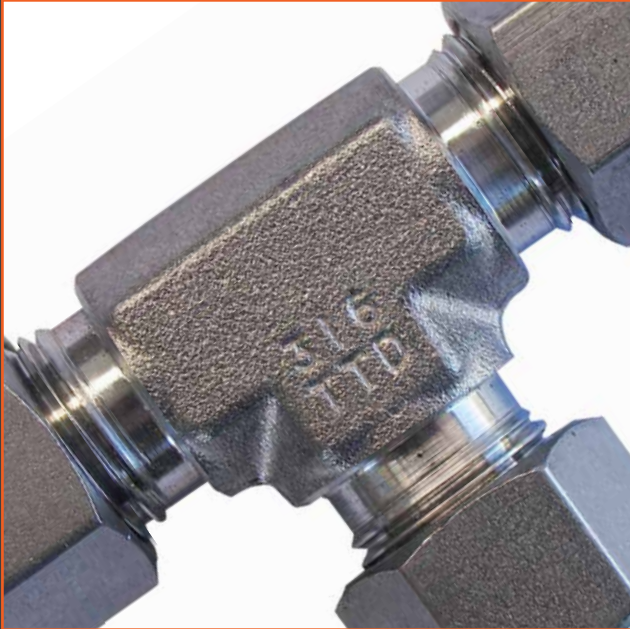
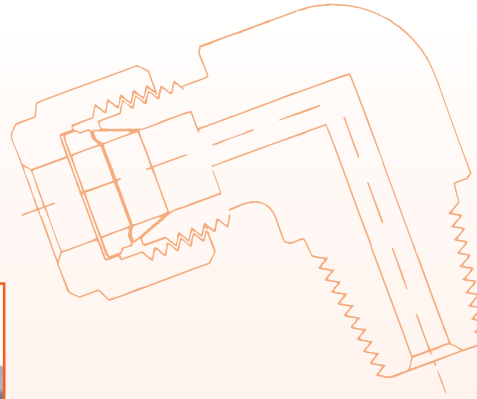


TUBE COMPRESSION FITTINGS

TWIN-LOK[®]



**AUSTRALIAN
PIPELINE VALVE[®]**

www.australianpipelinevalve.com.au

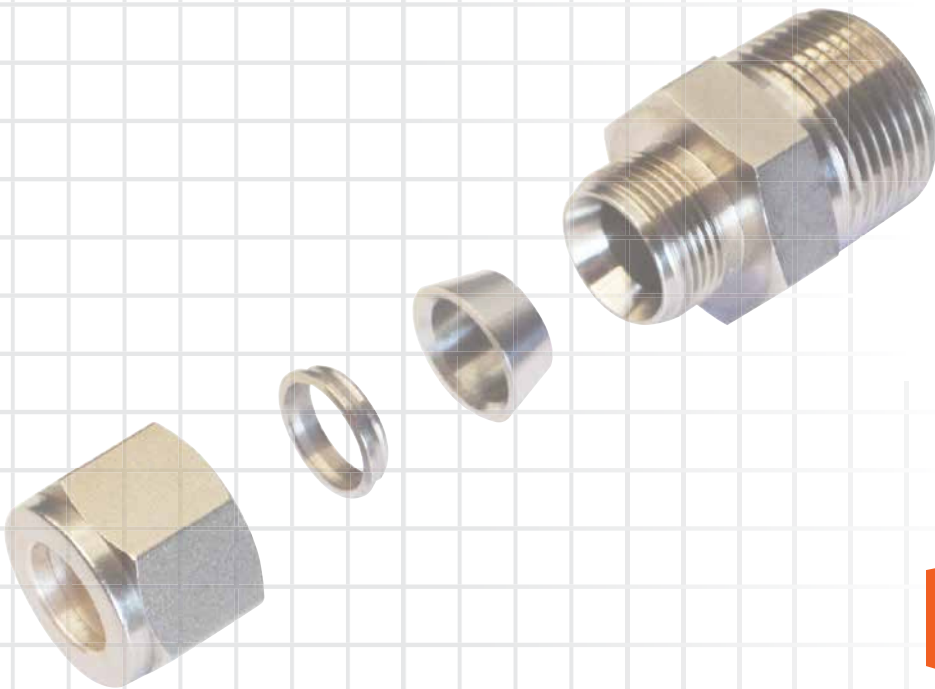
QUALITY VALVE MANUFACTURER

QUALITY COMMITMENT

Quality is Our First Priority.

Consistent product quality and a proven track record makes Australian Pipeline Valve a dependable choice where total reliability is the number one concern.

Since its founding, APV's philosophy has been focused on quality. Our valves are manufactured in full compliance to worldwide standards (such as ASME/ANSI, API, EN, ISO, BS, AS).



**AUSTRALIAN
PIPELINE VALVE®**

70-78 Stanbel Road Salisbury Plain South Australia 5109

Telephone +61 (0)8 8285 0033

email: admin@australianpipelinevalve.com.au

CONTENTS

Twin Ferrule Tube Compression Fittings Overview	4
Male Connector and Bulkhead Male Connector	5
Male Elbow	7
Male Run Tee	8
Female Connector	9
Bulkhead Female Connector and Female Elbow	10
Female Run Tee and Female Branch Tee	11
Union Tee and Union	12
Reducing Union	13
Bulkhead Union and Union Elbow	14
Reducer	15
Male Adaptor and Female Adaptor	16
Nut, Back Ferrule and Front Ferrule	17
Hex Nipple, Hex Long Nipple and Hex Reducing Nipple	18
Adaptor, Reducing Adaptor and Reducing Bushing	19
Hex Coupling and Hex Reducing Coupling	20
Pipe Plug	20
Street Elbows MF, Female Elbows	21
Street Run Tees (Equal), Female Tees (Equal)	22
Inline Piston Check 3000 PSI Model CAV-3	23
Instrument Ball Valves 40 Series	24
Flow Control Regulators FCV Series	25
Stainless Steel Quick Exhaust Valves	26
Screen Vents	27



© Copyright Australian Pipeline Valve 1990 - 2023 Edition

Catalogues, photos, brochures and technical publications are the exclusive property of Australian Pipeline Valve. Any unauthorised reproduction in total or in part, shall result in prosecution. Products and data sheets in this publication are subject to change at anytime without notice. Australian Pipeline Valve reserves the right to carry out amendments to products and materials.

OVERVIEW

**TWIN FERRULE
TUBE COMPRESSION FITTINGS**

CORROSION RESISTANT

Ferrules have a very strong corrosion resistance because of the special hardening process used in manufacturing.

INTERCHANGEABLE

Tube Fittings are interchangeable with market leaders with full Ferrule and nut interchangeability.

GAUGEABLE

Tube Fittings are manufactured in accordance with exacting tolerances which ensure a quality Tube Fitting.

CERTIFICATION

Twin-lok Tube Fittings are all batch tested and have been design tested for leakage. Full material certification can be supplied.

FEATURES

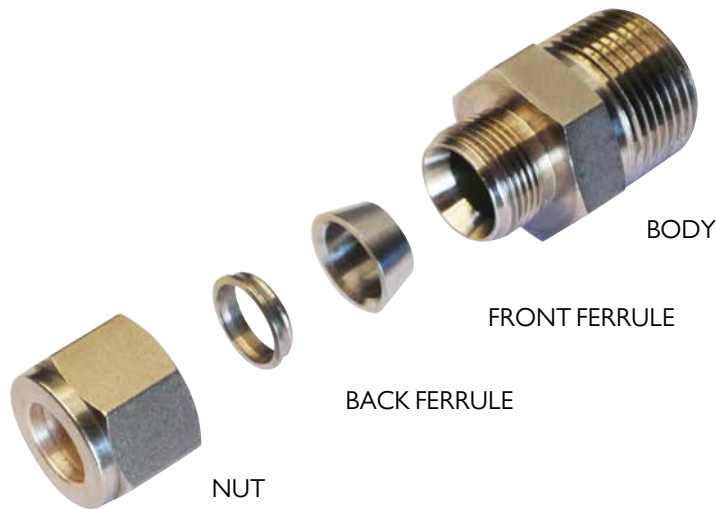
Twin-Lok compression Tube Fittings are manufactured to meet the specifications required for a wide range of applications in hydraulic, chemical, process control, petrochemical and instrumentation. The tube fittings are composed of four parts: body, front ferrule, back ferrule and nut. The twin-ferrule design compensates for any tolerances in tube O.D., wall thickness, material hardness and assures leak-proof connections.

MATERIAL

Tube fittings are available as standard in 316 Stainless Steel. Straight fittings are machined from bar stock & shaped bodies from forgings.

DIMENSIONS

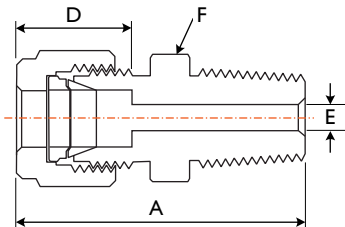
Tube fittings are supplied in metric and fractional sizes from 6mm to 25mm or 1/8" to 1" available with NPT, BSPT and BSPP threads.



*Twin ferrule tube fittings (also available in single ferrule style)
Fully interchangeable with both Market Leaders*

MALE CONNECTOR

DIMENSIONS

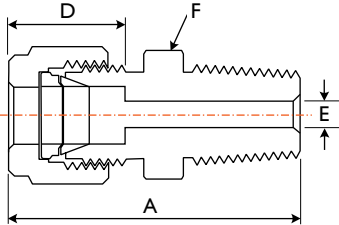


Tube O.D. IN	NPT Thread IN	A	D	E	F
Inches					
1/8	1/8	1.20	0.50	0.09	7/16
1/8	1/4	1.40	0.50	0.09	9/16
1/8	3/8	1.41	0.50	0.09	11/16
1/8	1/2	1.66	0.50	0.09	7/8
1/4	1/8	1.29	0.60	0.19	1/2
1/4	1/4	1.49	0.60	0.19	9/16
1/4	3/8	1.51	0.60	0.19	11/16
1/4	1/2	1.76	0.60	0.19	7/8
1/4	3/4	1.82	0.60	0.19	1-1/16
5/16	1/8	1.34	0.64	0.19	9/16
5/16	1/4	1.52	0.64	0.25	9/16
5/16	3/8	1.54	0.64	0.25	11/16
3/8	1/8	1.39	0.66	0.19	5/8
3/8	1/4	1.57	0.66	0.28	5/8
3/8	3/8	1.57	0.66	0.28	11/16
3/8	1/2	1.82	0.66	0.28	7/8
3/8	3/4	1.88	0.66	0.28	1-1/16
1/2	1/8	1.53	0.90	0.19	13/16
1/2	1/4	1.71	0.90	0.28	13/16
1/2	3/8	1.71	0.90	0.38	13/16
1/2	1/2	1.93	0.90	0.41	7/8
1/2	3/4	1.99	0.90	0.41	1-1/16
1/2	1	2.25	0.90	0.41	1-3/8
5/8	3/8	1.74	0.96	0.38	15/16
5/8	1/2	1.93	0.96	0.47	15/16
5/8	3/4	1.99	0.96	0.50	1-1/16
3/4	1/2	1.99	0.96	0.47	1-1/16
3/4	3/4	1.99	0.96	0.62	1-1/16
3/4	1	2.25	0.96	0.62	1-3/8
7/8	3/4	1.99	1.02	0.62	1-3/16
7/8	1	2.25	1.02	0.72	1-3/8
1	1/2	2.26	1.23	0.47	1-3/8
1	3/4	2.26	1.23	0.62	1-3/8
1	1	2.45	1.23	0.88	1-3/8

Dimensions for reference only, subject to change.

MALE CONNECTOR

DIMENSIONS

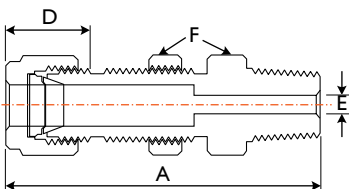


Tube O.D.	NPT Thread	A	D	E	F
Millimetres					
6	1/8	32.80	15.30	4.80	14
6	1/4	37.90	15.30	4.80	14
6	3/8	38.40	15.30	4.80	18
6	1/2	44.70	15.30	4.80	22
8	1/8	34.20	16.20	4.80	15
8	1/4	38.70	16.20	6.40	15
8	3/8	39.30	16.20	6.40	18
10	1/8	36.30	17.20	4.80	18
10	1/4	40.90	17.20	7.90	18
10	3/8	40.90	17.20	7.90	18
10	1/2	46.50	17.20	7.90	22
12	1/4	43.40	22.80	7.10	22
12	3/8	43.40	22.80	9.50	22
12	1/2	49.00	22.80	9.50	22
12	3/4	50.50	22.80	9.50	27
16	3/8	44.10	24.40	9.50	24
16	1/2	49.00	24.40	11.90	24
16	3/4	50.50	24.40	12.70	27
18	1/2	50.50	24.40	11.90	27
18	3/4	50.50	24.40	15.10	27
20	1/2	52.30	26.00	11.90	30
20	3/4	52.30	26.00	15.90	30
22	3/4	52.30	26.00	15.90	30
22	1	57.10	26.00	18.30	35
25	3/4	57.50	31.30	15.90	35
25	1	62.30	31.30	21.80	35

Dimensions for reference only, subject to change.

BULKHEAD MALE CONNECTOR

DIMENSIONS

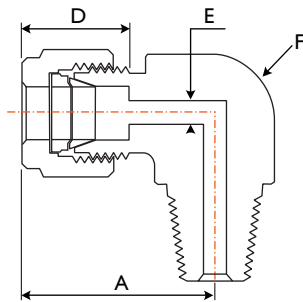


Tube O.D.	NPT Thread	A	D	E	F	Panel Hole Size	Max. Panel Thickness
Inches							
1/8	1/8	1.83	0.50	0.09	12	21/64	0.50
1/4	1/8	1.95	0.60	0.19	5/8	29/64	0.40
1/4	1/4	2.13	0.60	0.19	5/8	29/64	0.40
3/8	1/4	2.26	0.66	0.28	3/4	37/64	0.44
3/8	3/8	2.26	0.66	0.28	3/4	37/64	0.44
3/8	1/2	2.51	0.66	0.28	7/8	37/64	0.44
1/2	3/8	2.49	0.90	0.38	15/16	49/64	0.50
1/2	1/2	2.71	0.90	0.41	15/16	49/64	0.50
Millimetres							
6	1/4	53.60	15.30	4.80	16	11.5	10.20
12	1/2	68.80	9.50	9.50	24	19.5	12.70

Dimensions for reference only, subject to change.

MALE ELBOW

DIMENSIONS



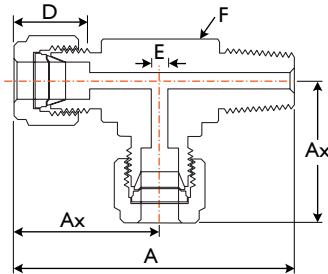
Tube O.D.	NPT Thread	A	D	E	F
Inches					
1/8	1/16	0.93	0.50	0.09	7/16
1/8	1/8	0.93	0.50	0.09	7/16
1/8	1/4	0.97	0.50	0.09	1/2
1/4	1/8	1.06	0.60	0.19	1/2
1/4	1/4	1.06	0.60	0.19	1/2
1/4	3/8	1.17	0.60	0.19	11/16
1/4	1/2	1.25	0.60	0.19	13/16
5/16	1/8	1.13	0.64	0.19	9/16
5/16	1/4	1.13	0.64	0.25	9/16
5/16	3/8	1.20	0.64	0.25	11/16
3/8	1/8	1.20	0.66	0.19	5/8
3/8	1/4	1.20	0.66	0.28	5/8
3/8	3/8	1.20	0.66	0.28	11/16
3/8	1/2	1.31	0.66	0.28	13/16
3/8	3/4	1.46	0.66	0.28	1-1/16
1/2	1/4	1.42	0.90	0.28	13/16
1/2	3/8	1.42	0.90	0.38	13/16
1/2	1/2	1.42	0.90	0.41	13/16
1/2	3/4	1.57	0.90	0.41	1-1/16
5/8	3/8	1.50	0.96	0.38	15/16
5/8	1/2	1.50	0.96	0.47	15/16
5/8	3/4	1.57	0.96	0.50	1-1/16
3/4	1/2	1.57	0.96	0.47	1-1/16
3/4	3/4	1.57	0.96	0.62	1-1/16
7/8	3/4	1.76	1.02	0.62	1-3/8
1	3/4	1.93	1.23	0.62	1-3/8
1	1	1.93	1.23	0.88	1-3/8

Millimetres					Inches
6	1/8	27.00	15.30	4.80	1/2
6	1/4	27.00	15.30	4.80	1/2
6	3/8	29.80	15.30	4.80	11/16
6	1/2	31.80	15.30	4.80	13/16
8	1/4	28.80	16.20	6.40	9/16
8	1/2	32.60	16.20	6.40	13/16
10	1/4	31.50	17.20	7.10	11/16
10	3/8	31.50	17.20	7.90	11/16
10	1/2	33.50	17.20	7.90	13/16
12	1/4	36.00	22.80	7.10	13/16
12	3/8	36.00	22.80	9.50	13/16
12	1/2	36.00	22.80	9.50	13/16
12	3/4	39.80	22.80	9.50	1-1/16
16	3/8	38.00	24.40	9.50	15/16
16	1/2	38.00	24.40	11.90	15/16
18	1/2	39.80	24.40	11.90	1-1/16
18	3/4	39.80	24.40	15.10	1-1/16
20	1/2	44.60	26.00	11.90	1-3/8
20	3/4	44.60	26.00	15.90	1-3/8
22	3/4	44.60	26.00	15.90	1-3/8
22	1	44.60	26.00	18.30	1-3/8
25	3/4	49.10	31.30	15.90	1-3/8
25	1	49.10	31.30	21.80	1-3/8

Dimensions for reference only, subject to change.

MALE RUN TEE

DIMENSIONS



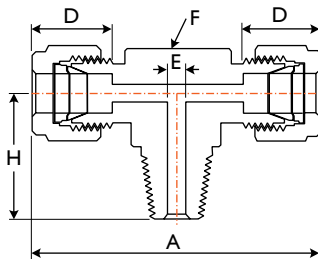
Tube O.D.	NPT Thread	A	Ax	D	E	F
Inches						
1/8	1/8	1.63	0.93	0.50	0.09	7/16
1/4	1/8	1.80	1.06	0.60	0.19	1/2
1/4	1/4	1.98	1.06	0.60	0.19	1/2
3/8	1/4	2.20	1.0	0.66	0.28	5/8
1/2	3/8	2.53	1.42	0.90	0.38	13/16
1/2	1/2	2.72	1.42	0.90	0.41	13/16
3/4	3/4	3.02	1.57	0.96	0.62	1-1/16

		Millimetres				Inches
6	1/8	45.80	27.00	15.30	4.80	1/2
6	1/4	50.30	27.00	15.30	4.80	1/2
8	1/4	55.30	29.90	16.20	6.40	5/8
12	1/4	64.20	36.00	22.80	7.10	13/16
12	1/2	69.00	36.00	22.80	9.50	13/16

Dimensions for reference only, subject to change.

MALE BRANCH TEE

DIMENSIONS



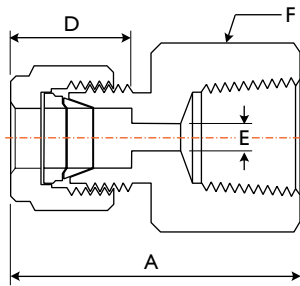
Tube O.D.	NPT Thread	A	D	E	F	H
Inches						
1/8	1/8	1.86	0.50	0.09	7/16	0.70
1/8	1/4	1.94	0.50	0.09	1/2	0.92
1/4	1/8	2.12	0.60	0.19	1/2	0.74
1/4	1/4	2.12	0.60	0.19	1/2	0.92
5/16	1/8	2.34	0.64	0.19	5/8	0.82
3/8	1/4	2.40	0.66	0.28	5/8	1.00
3/8	3/8	2.62	0.66	0.28	13/16	1.11
1/2	3/8	2.84	0.90	0.38	13/16	1.11
1/2	1/2	2.84	0.90	0.41	13/16	1.30
3/4	3/4	3.14	0.96	0.62	1-1/16	1.45

		Millimetres				Inches
6	1/8	53.90	15.30	4.80	1/2	18.80
6	1/4	53.90	15.30	4.80	1/2	23.40
8	1/8	59.70	16.20	4.80	5/8	20.80
8	1/4	59.70	16.20	6.40	5/8	25.40
10	1/4	67.00	17.20	7.10	13/16	26.20
12	1/4	72.00	22.80	7.10	13/16	28.20
12	3/8	72.00	22.80	9.50	13/16	28.20
12	1/2	72.00	22.80	9.50	13/16	33.00

Dimensions for reference only, subject to change.

FEMALE CONNECTOR

DIMENSIONS



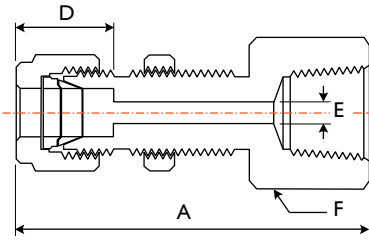
Tube O.D.	NPT Thread	A	D	E	F
Inches					
1/8	1/8	1.13	0.50	0.09	9/16
1/8	1/4	1.32	0.50	0.09	3/4
1/4	1/8	1.23	0.60	0.19	9/16
1/4	1/4	1.41	0.60	0.19	3/4
1/4	3/8	1.48	0.60	0.19	7/8
1/4	1/2	1.67	0.60	0.19	1-1/16
5/16	1/8	1.26	0.64	0.25	9/16
5/16	1/4	1.45	0.64	0.25	3/4
3/8	1/8	1.29	0.66	0.28	5/8
3/8	1/4	1.48	0.66	0.28	3/4
3/8	3/8	1.54	0.66	0.28	7/8
3/8	1/2	1.73	0.66	0.28	1-1/16
3/8	3/4	1.88	0.66	0.28	1-5/16
1/2	1/4	1.59	0.90	0.41	13/16
1/2	3/8	1.65	0.90	0.41	7/8
1/2	1/2	1.84	0.90	0.41	1-1/16
1/2	3/4	1.90	0.90	0.41	1-5/16
5/8	3/8	1.65	0.96	0.50	15/16
5/8	1/2	1.84	0.96	0.50	1-1/16
3/4	1/2	1.84	0.96	0.62	1-1/16
3/4	3/4	1.90	0.96	0.62	1-5/16
7/8	3/4	1.96	1.02	0.72	1-5/16
1	3/4	2.10	1.23	0.88	1-3/8
1	1	2.45	1.23	0.88	1-5/8

Millimetres					
6	1/8	31.30	15.30	4.80	14
6	1/4	35.80	15.30	4.80	19
6	3/8	37.60	15.30	4.80	22
6	1/2	42.50	15.30	4.80	27
8	1/4	37.00	16.20	6.40	19
8	3/8	38.50	16.20	6.40	22
8	1/2	43.30	16.20	6.40	27
10	1/4	37.80	17.20	7.90	19
10	3/8	39.40	17.20	7.90	22
10	1/2	44.20	17.20	7.90	27
12	1/4	40.30	22.80	9.50	22
12	3/8	41.90	22.80	9.50	22
12	1/2	46.70	22.80	9.50	27
20	1/2	47.90	26.00	15.90	30
20	3/4	49.70	26.00	15.90	35
22	3/4	49.70	26.00	18.30	35
22	1	57.90	26.00	18.30	41
25	3/4	53.40	31.30	21.80	35
25	1	62.30	31.30	21.80	41

Dimensions for reference only, subject to change.

BULKHEAD FEMALE CONNECTOR

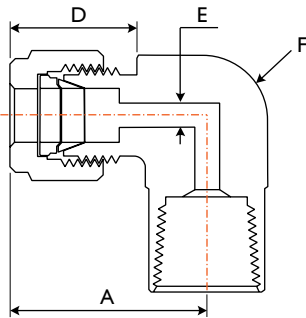
DIMENSIONS



Tube O.D.	NPT Thread	A	D	E	F	Panel Hole Size	Max. Panel Thickness
Inches							
1/8	1/8	1.76	0.50	0.09	9/16	21/64	0.50
1/4	1/8	1.85	0.60	0.19	5/8	29/64	0.40
1/4	1/4	2.04	0.60	0.19	3/4	29/64	0.40
3/8	1/4	2.17	0.66	0.28	3/4	37/64	0.44
1/2	3/8	2.43	0.90	0.41	15/16	49/64	0.50
1/2	1/2	2.62	0.90	0.41	1-1/16	49/64	0.50

Millimetres							
6	1/4	51.80	15.30	4.80	19	11.50	10.20
12	1/2	66.50	22.80	9.50	27	19.50	12.70

FEMALE ELBOW



DIMENSIONS

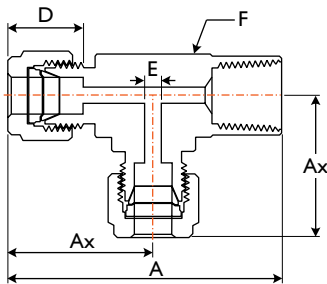
Tube O.D.	NPT Thread	A	D	E	F
Inches					
1/8	1/8	0.97	0.50	0.09	1/2
1/8	1/4	1.08	0.50	0.09	11/16
1/4	1/8	1.06	0.60	0.19	1/2
1/4	1/4	1.17	0.60	0.19	11/16
1/4	3/8	1.25	0.60	0.19	13/16
1/4	1/2	1.36	0.60	0.19	1
5/16	1/8	1.13	0.64	0.25	9/16
5/16	1/4	1.20	0.64	0.25	11/16
3/8	1/8	1.20	0.66	0.28	5/8
3/8	1/4	1.23	0.66	0.28	11/16
3/8	3/8	1.31	0.66	0.28	13/16
3/8	1/2	1.42	0.66	0.28	1
1/2	1/4	1.42	0.90	0.41	13/16
1/2	3/8	1.42	0.90	0.41	13/16
1/2	1/2	1.53	0.90	0.41	1
5/8	3/8	1.50	0.96	0.50	15/16
5/8	1/2	1.57	0.96	0.50	1-1/16
3/4	1/2	1.57	0.96	0.62	1-1/16
3/4	3/4	1.76	0.96	0.62	1-3/8
7/8	3/4	1.76	1.02	0.72	1-3/8
1	3/4	1.93	1.23	0.88	1-3/8
1	1	2.11	1.23	0.88	1-11/16

Millimetres					Inches
6	1/8	27.00	15.30	4.80	1/2
6	1/4	29.80	15.30	4.80	1/16
6	1/2	34.60	15.30	4.80	1
8	1/4	30.60	16.20	6.40	11/16
10	1/4	33.50	17.20	7.90	13/16
12	1/4	36.00	22.80	9.50	13/16
12	1/2	38.80	22.80	9.50	1
16	1/2	39.50	24.40	12.70	1-1/16

Dimensions for reference only, subject to change.

FEMALE RUN TEE

DIMENSIONS



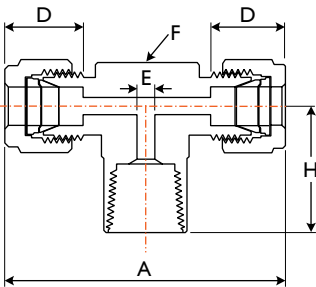
Tube O.D.	NPT Thread	A	Ax	D	E	F
Inches						
1/8	1/8	1.72	0.97	0.50	0.09	1/2
1/4	1/8	1.81	1.06	0.60	0.19	1/2
1/4	1/4	2.05	1.17	0.60	0.19	11/16
3/8	1/4	2.11	1.23	0.66	0.28	11/16
1/2	3/8	2.30	1.42	0.90	0.41	13/16
1/2	1/2	2.69	1.57	0.90	0.41	1-1/16
3/4	3/4	3.01	1.76	0.96	0.62	1-3/8

Millimetres						Inches
6	1/8	46.00	27.00	15.30	4.80	1/2
6	1/4	52.10	29.80	15.30	4.80	11/16
8	1/8	48.90	29.90	16.20	6.40	5/8
8	1/4	53.00	30.60	16.20	6.40	11/16
10	1/4	55.90	33.50	17.20	7.90	13/16
12	1/4	58.40	36.00	22.80	9.50	13/16
12	3/8	58.40	36.00	22.80	10.30	13/16

Dimensions for reference only, subject to change.

FEMALE BRANCH TEE

DIMENSIONS

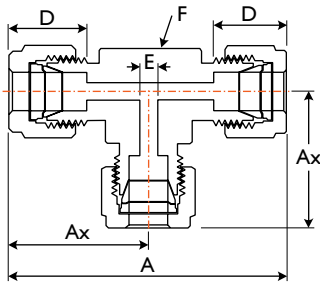


Tube O.D.	NPT Thread	A	D	E	F	H
Inches						
1/8	1/8	1.94	0.50	0.09	1/2	0.75
1/4	1/8	2.12	0.60	0.19	1/2	0.75
1/4	1/4	2.34	0.60	0.19	11/16	0.88
3/8	1/4	2.46	0.66	0.28	11/16	0.88
1/2	1/4	2.84	0.90	0.41	13/16	0.88
1/2	3/8	2.84	0.90	0.41	13/16	0.88
1/2	1/2	3.06	0.90	0.41	1	1.12
1	3/4	3.86	1.23	0.88	1-3/8	1.25
1	1	4.22	1.23	0.88	1-11/16	1.50

Millimetres						Inches
6	1/8	53.90	15.30	4.80	1/2	19.00
6	1/4	59.50	15.30	4.80	11/16	22.40
8	1/8	59.70	16.20	6.40	5/8	19.00
8	1/4	61.20	16.20	6.40	11/16	22.40
10	1/4	67.00	17.20	7.90	13/16	22.40
12	1/4	72.00	22.80	9.50	13/16	22.40
12	3/8	72.00	22.80	9.50	13/16	22.40

Dimensions for reference only, subject to change.

UNION TEE

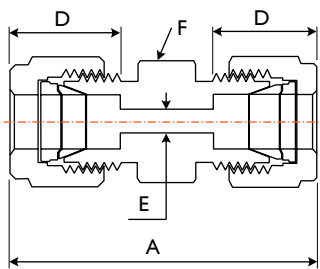


DIMENSIONS

Tube O.D.	A	Ax	D	E	F
Inches					
1/8	1.76	0.88	0.50	0.09	3/8
1/4	2.12	1.06	0.60	0.19	1/2
5/16	2.34	1.17	0.64	0.25	5/8
3/8	2.40	1.20	0.66	0.28	5/8
1/2	2.84	1.42	0.90	0.41	13/16
5/8	3.03	1.53	0.96	0.50	1
3/4	3.14	1.57	0.96	0.62	1-1/16
7/8	3.52	1.76	1.02	0.72	1-3/8
1	3.86	1.93	1.23	0.88	1-3/8

	Millimetres				Inches
6	53.90	27.00	15.30	4.80	1/2
8	59.70	29.90	16.20	6.40	5/8
10	63.00	31.50	17.20	7.90	11/16
12	72.00	36.00	22.80	9.50	13/16
15	77.60	38.80	24.40	11.90	1
16	77.60	38.80	24.40	12.70	1
18	79.60	39.80	24.40	15.10	1-1/16
20	89.30	44.60	26.00	15.90	1-3/8
22	89.30	44.60	26.00	18.30	1-3/8
25	98.30	49.10	31.30	21.80	1-3/8

UNION



DIMENSIONS

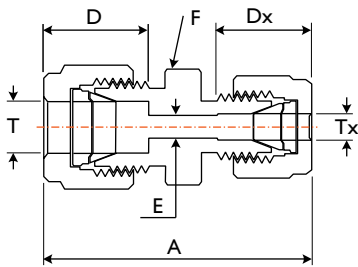
Tube O.D.	A	D	E	F
Inches				
1/8	1.40	0.50	0.09	7/16
1/4	1.61	0.60	0.19	1/2
5/16	1.69	0.64	0.25	9/16
3/8	1.77	0.66	0.28	5/8
1/2	2.02	0.90	0.41	13/16
5/8	2.05	0.96	0.50	16/15
3/4	2.11	0.96	0.62	1-1/16
7/8	2.17	1.02	0.72	1-3/16
1	2.55	1.23	0.88	1-3/8

	Millimetres			
6	41.00	15.30	4.80	14
8	43.20	16.20	6.40	15
10	46.20	17.20	7.90	18
12	51.20	22.80	9.50	22
14	52.00	24.40	11.10	24
15	52.00	24.40	11.90	24
16	52.00	24.40	12.70	24
18	53.50	24.40	15.10	27
20	55.00	26.00	15.90	30
22	55.00	26.00	18.30	30
25	65.00	31.30	21.80	35

Dimensions for reference only, subject to change.

REDUCING UNION

DIMENSIONS



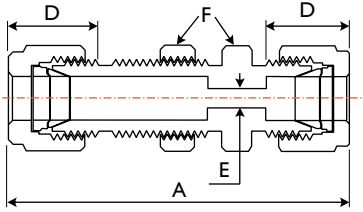
T Tube O.D.	Tx Tube O.D.	A	D	Dx	E	F
Inches						
1/4	1/8	1.52	0.60	0.50	0.09	1/2
5/16	1/8	1.56	0.64	0.50	0.09	9/16
5/16	1/4	1.66	0.64	0.60	0.19	9/16
3/8	1/16	1.44	0.66	0.34	0.05	5/8
3/8	1/8	1.61	0.66	0.50	0.09	5/8
3/8	1/4	1.70	0.66	0.60	0.19	5/8
3/8	5/16	1.74	0.66	0.64	0.25	5/8
1/2	1/8	1.78	0.90	0.50	0.09	13/16
1/2	1/4	1.85	0.90	0.60	0.19	13/16
1/2	3/8	1.91	0.90	0.66	0.28	13/16
5/8	3/8	1.94	0.96	0.66	0.28	15/16
5/8	1/2	2.05	0.96	0.90	0.41	15/16
3/4	1/4	1.94	0.96	0.60	0.19	1-1/16
3/4	3/8	2.00	0.96	0.66	0.28	1-1/16
3/4	1/2	2.11	0.96	0.90	0.41	1-1/16
3/4	5/8	2.11	0.96	0.96	0.50	1-1/16
1	1/2	2.38	1.23	0.90	0.41	1-3/8
1	3/4	2.38	1.23	0.96	0.62	1-3/8

Millimetres						
6	1/8	38.50	15.30	12.80	2.40	14
6	1/4	41.00	15.30	15.30	4.80	14
6	5/16	42.30	15.30	16.20	4.80	14
8	1/4	42.30	16.20	15.30	4.80	15
10	1/8	41.80	17.20	12.80	2.40	18
10	1/4	44.50	17.20	15.30	4.80	18
10	5/16	45.10	17.20	16.20	6.40	18
10	3/8	45.90	17.20	16.90	7.10	18
12	5/16	47.80	22.80	16.20	6.40	22
12	3/8	48.40	22.80	16.90	7.10	22
12	1/2	51.20	22.80	22.80	9.50	22
15	1/2	52.00	24.40	22.80	10.30	24
16	5/8	52.00	24.40	24.40	12.70	24
18	3/4	53.50	24.40	24.40	15.10	27

Dimensions for reference only, subject to change.

BULKHEAD UNION

DIMENSIONS

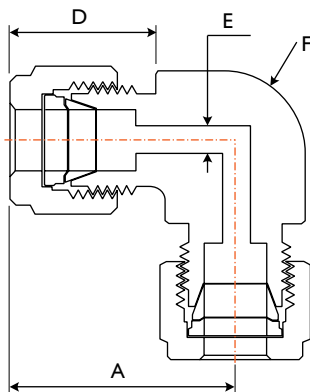


Tube O.D.	A	D	E	F	Panel Hole Drill Size	Max. Panel Thickness
Inches						
1/8	2.02	0.50	0.09	1/2	21/64	0.50
1/4	2.27	0.60	0.19	5/8	29/64	0.40
5/16	2.39	0.64	0.25	11/16	33/64	0.44
3/8	2.45	0.66	0.28	3/4	37/64	0.44
1/2	2.80	0.90	0.41	15/16	49/64	0.50
5/8	2.86	0.96	0.50	1-1/16	57/64	0.50
3/4	3.11	0.96	0.62	1-3/16	11/64	0.66
1	3.77	1.23	0.88	1-5/8	1-21/64	0.75

Millimetres						
6	57.70	15.30	4.80	16	11.50	10.20
8	61.00	16.20	6.40	18	13.10	11.20
10	63.70	17.20	7.90	22	16.30	11.20
12	71.00	22.80	9.50	24	19.50	12.70
14	72.50	24.40	11.10	27	22.50	12.70
15	72.50	24.40	11.90	27	22.80	12.70
16	72.50	24.40	12.70	27	22.80	12.70
18	78.90	24.40	15.10	30	26.00	16.80
20	84.50	26.00	15.90	35	29.00	19.00

UNION ELBOW

DIMENSIONS

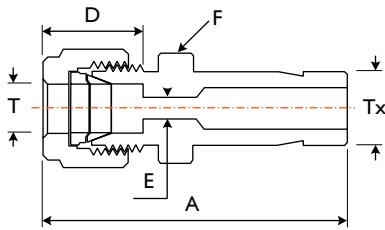


Tube O.D.	A	D	E	F
Inches				
1/8	0.88	0.50	0.09	3/8
1/4	1.06	0.60	0.19	1/2
5/16	1.13	0.64	0.25	9/16
3/8	1.20	0.66	0.25	5/8
1/2	1.42	0.90	0.41	13/16
5/8	1.50	0.96	0.50	15/16
3/4	1.57	0.96	0.62	1-1/16
7/8	1.76	1.02	0.72	1-3/8
1	1.93	1.23	0.88	1-3/8

Millimetres				Inches
6	27.00	15.30	4.80	1/2
8	28.80	16.20	6.40	9/16
10	31.50	17.20	7.90	11/16
12	36.00	22.80	9.50	13/16
15	38.00	24.40	11.90	15/16
16	8.00	24.40	12.70	15/16
18	39.80	24.40	15.10	1-1/16
20	44.60	26.00	15.90	1-3/8
22	44.60	26.00	18.30	1-3/8
25	49.10	31.30	21.80	1-3/8

Dimensions for reference only, subject to change.

REDUCER



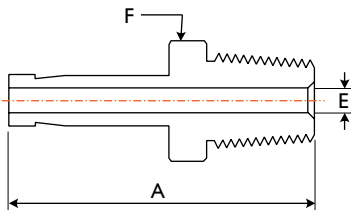
DIMENSIONS

T Tube O.D.	Tx Tube O.D.	A	D	E	F
Inches					
1/8	1/8	1.32	0.50	0.08	7/16
1/8	3/16	1.35	0.50	0.09	7/16
1/8	1/4	1.42	0.50	0.09	7/16
1/8	3/8	1.48	0.50	0.09	7/16
1/8	1/2	1.74	0.50	0.09	9/16
3/16	1/8	1.37	0.54	0.08	7/16
3/16	1/4	1.46	0.54	0.12	7/16
1/4	1/8	1.45	0.60	0.08	1/2
1/4	3/16	1.48	0.60	0.12	1/2
1/4	1/4	1.54	0.60	0.17	1/2
1/4	5/16	1.57	0.60	0.19	1/2
1/4	3/8	1.60	0.60	0.19	1/2
1/4	1/2	1.82	0.60	0.19	9/16
1/4	3/4	1.88	0.60	0.19	13/16
5/16	1/4	1.87	0.64	0.25	9/16
5/16	3/8	1.65	0.64	0.25	9/16
3/8	1/4	1.63	0.66	0.17	5/8
3/8	3/8	1.70	0.66	0.27	5/8
3/8	1/2	1.91	0.66	0.28	5/8
3/8	3/4	1.98	0.66	0.28	13/16
1/2	1/4	1.77	0.90	0.17	13/16
1/2	3/8	1.84	0.90	0.27	13/16
1/2	1/2	2.06	0.90	0.37	13/16
1/2	3/4	2.12	0.90	0.41	13/16
1/2	1	2.37	0.90	0.41	1-1/16
5/8	3/4	2.15	0.96	0.50	15/16
5/8	7/8	2.21	0.96	0.50	15/16
5/8	1	2.40	0.96	0.50	1-1/16
3/4	1/2	2.15	0.96	0.37	1-11/16
3/4	1	2.46	0.96	0.62	1-11/16

Millimetres					
6	8	39.90	15.30	4.80	14
6	10	40.70	15.30	4.80	14
6	12	46.30	15.30	4.80	14
6	18	49.60	15.30	4.80	22
8	6	40.30	16.20	4.10	15
8	10	42.00	16.20	6.40	15
8	12	47.60	16.20	6.40	15
10	8	43.40	17.20	5.60	18
10	12	49.80	17.20	7.90	18
12	8	45.90	22.80	5.60	22
12	10	46.70	22.80	7.10	22
12	16	53.80	22.80	9.50	22
12	18	53.80	22.80	9.50	22
12	20	56.10	22.80	9.50	22
18	12	54.60	24.40	8.80	27
18	16	56.10	24.40	12.00	27

Dimensions for reference only, subject to change.

MALE ADAPTOR

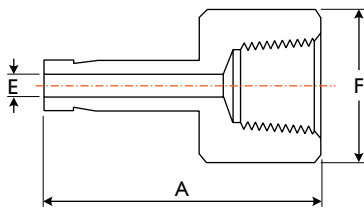


DIMENSIONS

Tube O.D.	NPT Thread	A	E	F
Inches				
1/8	1/8	1.16	0.08	7/16
1/8	1/4	1.37	0.08	9/16
1/4	1/8	1.25	0.17	7/16
1/4	1/4	1.46	0.17	9/16
1/4	3/8	1.49	0.17	11/16
1/4	1/2	1.71	0.17	7/8
3/8	1/8	1.32	0.19	7/16
3/8	1/4	1.53	0.27	9/16
3/8	3/8	1.56	0.27	11/16
3/8	1/2	1.78	0.27	7/8
1/2	1/4	1.75	0.28	9/16
1/2	3/8	1.78	0.37	11/16
1/2	1/2	2.00	0.37	7/8

Millimetres				
6	1/8	32.80	4.10	12
6	1/4	38.10	4.10	14
8	1/4	39.10	5.60	14
10	1/4	39.90	7.10	14
10	3/8	40.60	7.10	18
10	1/2	46.20	7.10	22
12	1/4	46.50	7.10	16
12	1/2	52.10	8.80	22

FEMALE ADAPTOR



DIMENSIONS

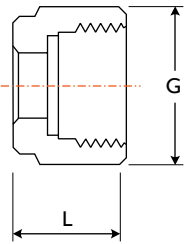
Tube O.D.	NPT Thread	A	E	F
Inches				
1/8	1/8	1.24	0.08	9/16
1/8	1/4	1.39	0.08	3/4
1/4	1/8	1.30	0.17	9/16
1/4	1/4	1.46	0.17	3/4
1/4	3/8	1.55	0.17	7/8
1/4	1/2	1.79	0.17	1-1/16
3/8	1/8	1.35	0.27	9/16
3/8	1/4	1.50	0.27	3/4
3/8	3/8	1.59	0.27	7/8
3/8	1/2	1.84	0.27	1-1/16
1/2	1/4	1.71	0.37	3/4
1/2	3/8	1.79	0.37	7/8
1/2	1/2	2.05	0.37	1-1/16

Millimetres				
6	1/8	32.50	4.10	14
6	1/4	37.10	4.10	19
8	1/4	37.60	5.60	19
10	1/4	38.10	7.10	19
10	3/8	40.10	7.10	22
10	1/2	46.70	7.10	27
12	1/4	43.70	8.80	19
12	1/2	52.30	8.80	27

Dimensions for reference only, subject to change.

COMPONENT

NUT

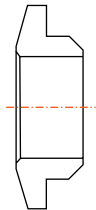


DIMENSIONS

Tube O.D.	G	L
Inches		
1/8	7/16	0.47
1/4	9/16	0.50
5/16	5/8	0.53
3/8	11/16	0.56
1/2	7/8	0.69
5/8	1	0.69
3/4	1-1/8	0.69
7/8	1-1/4	0.69
1	1-1/4	0.81

Tube O.D.	G	L
Millimetres		
6	14	12.70
8	16	13.50
10	19	15.10
12	22	17.40
14	25	17.40
15	25	17.40
16	25	17.40
18	30	17.40
20	32	17.40
22	32	17.40
25	38	20.60

BACK FERRULE

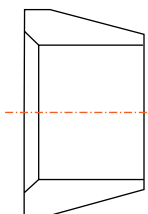


DIMENSIONS

Tube O.D.
Inches
1/8
1/4
5/16
3/8
1/2
5/8
3/4
7/8
1

Tube O.D.
Millimetres
6
8
10
12
14
15
16
18
20
22
25

FRONT FERRULE



DIMENSIONS

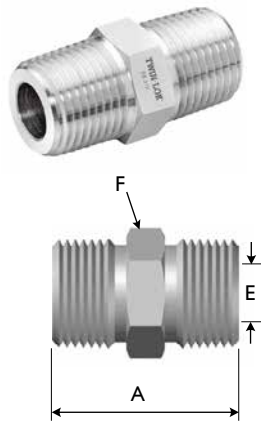
Tube O.D.
Inches
1/8
1/4
5/16
3/8
1/2
5/8
3/4
7/8
1

Tube O.D.
Millimetres
6
8
10
12
14
15
16
18
20
22
25

Dimensions for reference only, subject to change.

THREADED FITTINGS

HEX NIPPLES



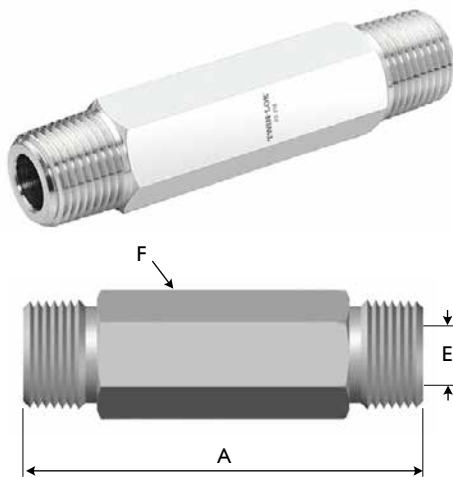
DIMENSIONS

Male NPT Threads

Pipe Size	A	E	F
Inches	mm		Inches
1/8	25.65	4.83	7/16
1/4	35.56	7.11	9/16
3/8	36.32	9.65	11/16
1/2	46.74	11.94	7/8
3/4	46.74	15.75	1-1/16
1	58.93	22.35	1-3/8

Dimensions for reference only, subject to change.

HEX LONG NIPPLES



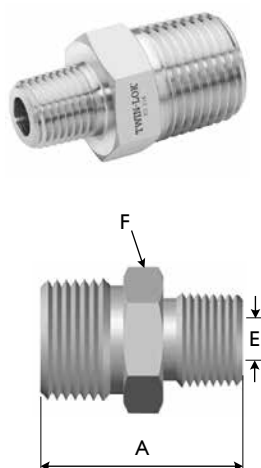
DIMENSIONS

Male NPT Threads

Pipe Size	A					E	F
	Available Lengths, inch						
	1.50	2.00	2.50	3.00	4.00		
Inches	mm					Inches	
1/8	v	v	v	v	-	4.83	7/16
1/4	v	v	v	v	v	7.11	9/16
3/8	v	v	v	v	v	9.65	11/16
1/2	-	v	-	v	v	11.94	7/8
3/4	-	v	-	v	v	15.75	1-1/16
1	-	-	-	v	v	22.35	1-3/8

Dimensions for reference only, subject to change.

HEX REDUCING NIPPLES



DIMENSIONS

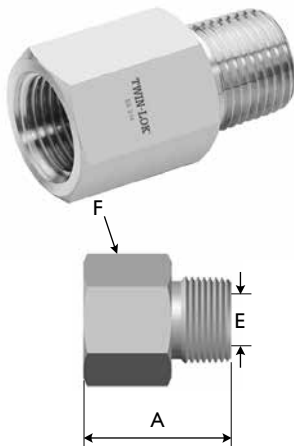
Male NPT Threads

Pipe Size	Pipe Size	A	E	F
Inches		mm		Inches
1/4	1/8	30.99	4.83	9/16
3/8	1/8	31.75	4.83	11/16
3/8	1/4	36.32	7.11	11/16
1/2	1/8	37.34	4.83	7/8
1/2	1/4	41.91	7.11	7/8
1/2	3/8	41.91	9.65	7/8
3/4	1/4	41.91	7.11	1-1/16
3/4	1/2	46.74	11.94	1-1/16
1	1/2	54.10	11.94	1-3/8
1	3/4	54.10	15.75	1-3/8

Dimensions for reference only, subject to change.

THREADED FITTINGS

ADAPTORS



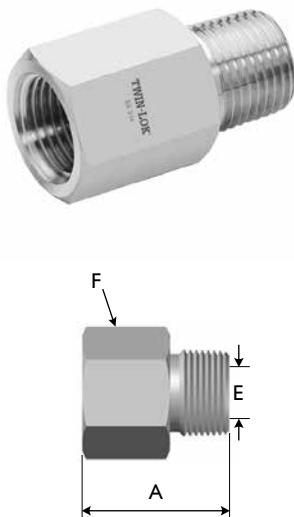
DIMENSIONS

Female to Male NPT Threads

Pipe Size	A	E	F
Inches	mm		Inches
1/8	27.94	4.83	9/16
1/4	35.56	7.11	3/4
3/8	38.35	9.65	7/8
1/2	49.28	11.94	1-1/16
3/4	51.31	15.75	1-5/16
1	2.28	0.88	1-5/8

Dimensions for reference only, subject to change.

REDUCING ADAPTORS



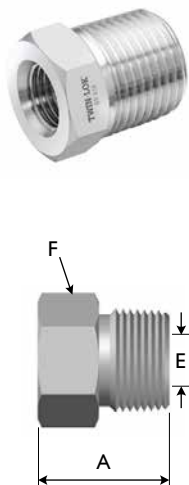
DIMENSIONS

Female to Male NPT Threads

Pipe Size	Pipe Size	A	E	F
Inches		mm		Inches
1/4	1/8	32.00	4.83	3/4
3/8	1/8	33.78	4.83	7/8
3/8	1/4	38.10	7.11	7/8
1/2	1/8	40.13	4.83	1-1/16
1/2	1/4	44.70	7.11	1-1/16
1/2	3/8	44.45	9.65	1-1/16
3/4	1/4	46.99	7.11	1-5/16
3/4	3/8	46.23	9.65	1-5/16
3/4	1/2	51.31	11.94	1-5/16
1	1/4	49.78	7.11	1-5/8
1	1/2	54.86	11.94	1-5/8
1	3/4	55.12	15.75	1-5/8

Dimensions for reference only, subject to change.

REDUCING BUSHINGS



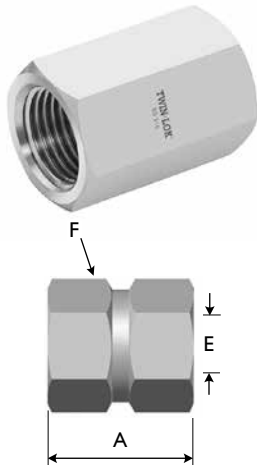
DIMENSIONS

Male to Female NPT Threads

Male Pipe Size	Female Pipe Size	A	E	F
Inches		mm		Inches
1/4	1/8	26.92	7.11	9/16
3/8	1/8	21.84	8.64	11/16
3/8	1/4	30.23	9.65	3/4
1/2	1/8	27.43	8.64	7/8
1/2	1/4	27.43	11.43	7/8
1/2	3/8	35.81	11.94	7/8
3/4	1/4	27.43	11.43	1-1/16
3/4	3/8	27.43	14.99	1-1/16
3/4	1/2	41.40	15.75	1-1/16
1	1/4	34.80	11.43	1-3/8
1	3/8	34.80	14.99	1-3/8
1	1/2	34.80	18.54	1-3/8
1	3/4	46.99	22.35	1-3/8

Dimensions for reference only, subject to change.

HEX COUPLINGS



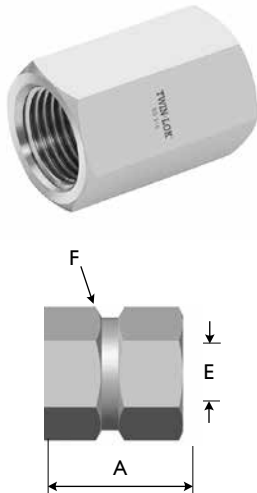
DIMENSIONS

Female NPT Threads

Pipe Size	A	E	F
Inches	mm	Inches	Inches
1/8	20.57	8.64	9/16
1/4	30.23	11.43	3/4
3/8	33.27	14.99	7/8
1/2	39.62	18.54	1-1/16
3/4	41.15	23.88	1-5/16
1	50.80	29.72	1-5/8

Dimensions for reference only, subject to change.

HEX REDUCING COUPLINGS



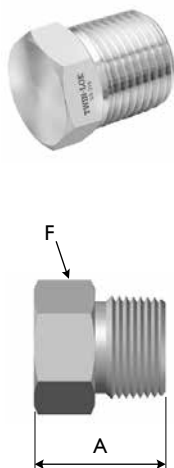
DIMENSIONS

Female NPT Threads

Pipe Size	Pipe Size	A	E	F
Inches	Inches	mm	mm	Inches
1/4	1/8	30.99	8.64	3/4
3/8	1/4	35.05	11.43	7/8
1/2	1/8	39.62	8.64	1-1/16
1/2	1/4	44.45	11.43	1-1/16
1/2	3/8	45.21	14.99	1-1/16
3/4	1/4	46.97	11.43	1-5/16
3/4	1/2	52.32	18.54	1-5/16
1	1/2	55.63	18.54	1-5/8
1	3/4	57.15	23.88	1-5/8

Dimensions for reference only, subject to change.

PIPE PLUGS



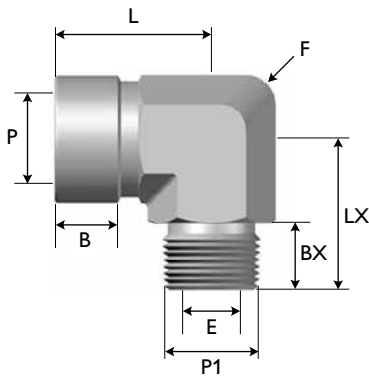
DIMENSIONS

Male NPT Threads

Pipe Size	A	F
Inches	mm	Inches
1/8	19.05	7/16
1/4	24.38	9/16
3/8	25.15	11/16
1/2	30.73	7/8
3/4	30.73	1-1/16
1	38.10	1/8

Dimensions for reference only, subject to change.

STREET ELBOWS MF

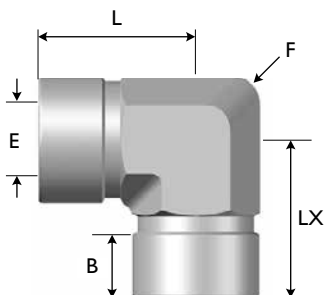


DIMENSIONS

Female to Male NPT Threads

P-Female Pipe Size	P1-Male Pipe Size	L	F	B	E	LX	BX
Inches		mm					
1/16	1/16	21.80	11.10	9.90	3.00	22.40	9.70
1/16	1/8	21.80	11.10	9.90	4.80	22.40	9.70
1/16	1/4	22.40	14.30	9.90	4.80	27.70	14.20
1/16	3/8	22.40	17.50	9.90	4.80	29.70	14.20
1/8	1/16	26.40	12.70	10.40	3.00	22.10	9.70
1/8	1/8	26.40	12.70	10.40	4.80	22.10	9.70
1/8	1/4	22.40	14.30	10.40	7.10	27.70	14.20
1/8	3/8	22.40	17.50	10.40	7.10	29.70	14.20
1/8	1/2	24.10	20.60	10.40	7.10	36.80	19.10
1/8	3/4	25.40	27.00	10.40	7.10	40.40	19.10
1/8	1	26.40	34.90	10.40	7.10	50.00	23.90
1/4	1/8	29.70	17.50	15.00	4.80	25.40	9.70
1/4	1/4	29.70	17.50	15.00	7.10	29.70	14.20
1/4	3/8	29.70	17.50	15.00	8.60	29.70	14.20
1/4	1/2	25.40	20.60	15.00	8.60	36.80	19.10
1/4	3/4	25.40	27.00	15.00	8.60	40.40	19.10
1/4	1	41.40	34.90	15.00	8.60	50.00	23.90
3/8	1/4	36.10	20.60	15.00	7.10	32.00	14.20
3/8	3/8	36.10	20.60	15.00	9.60	32.00	14.20
3/8	1/2	36.10	20.60	15.00	11.90	36.80	19.10
3/8	3/4	31.20	27.00	15.00	11.90	40.40	19.10
3/8	1	41.40	34.90	15.00	11.90	50.00	23.90
1/2	1/4	39.60	25.40	19.80	7.10	35.10	14.20
1/2	3/8	39.60	25.40	19.80	9.60	35.10	14.20
1/2	1/2	39.60	25.40	19.80	11.90	39.60	19.10
1/2	3/4	31.20	27.00	19.80	15.70	40.40	19.10
1/2	1	41.40	34.90	19.80	15.70	50.00	23.90
3/4	3/4	48.80	31.80	20.60	15.70	42.40	19.10
3/4	1	41.40	34.90	20.60	22.40	50.00	23.90
1	1	48.50	42.90	25.40	22.40	49.30	23.90
1 1/4	1 1/4	60.50	50.80	25.40	31.80	60.50	23.90

FEMALE ELBOWS



DIMENSIONS

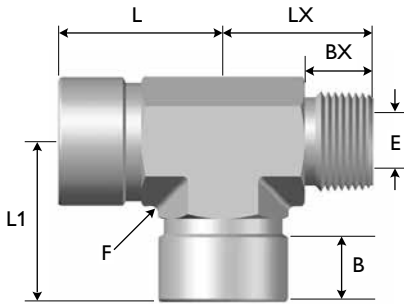
Female NPT Threads

Female Pipe Size	L	F	B	E	LX
Inches	mm				
1/16	21.80	11.10	9.90	4.80	21.80
1/8	26.40	12.70	10.40	4.80	26.40
1/8	26.40	12.70	10.40	7.10	26.40
1/4	29.70	17.50	15.00	7.10	29.70
1/4	29.70	17.50	15.00	10.40	29.70
3/8	36.10	20.60	15.00	12.70	36.10
1/2	39.60	25.40	19.80	17.10	39.60
3/4	48.80	31.80	20.60	22.40	48.80
1	48.50	42.90	25.40	28.10	48.50
1 1/4	59.80	50.80	25.40	27.70	59.80
1 1/2	65.00	63.50	27.70	34.00	65.00

STREET RUN TEES (EQUAL)

DIMENSIONS

Female to Female to Male NPT Threads

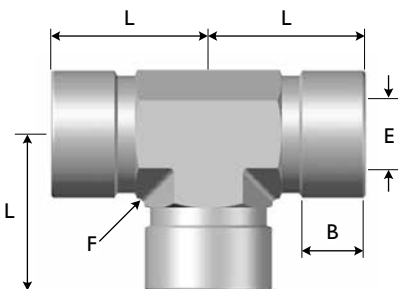


Female Pipe Size	Male Pipe Size	L	L1	F	B	E	LX	BX
Inches		mm						
1/16	1/16	21.80	21.80	11.10	9.90	3.00	18.30	9.70
1/8	1/8	26.40	26.40	12.70	10.40	4.80	22.10	9.70
1/4	1/4	29.70	29.70	17.50	15.00	7.10	29.70	14.20
3/8	3/8	36.10	36.10	20.60	15.00	9.60	32.00	14.20
1/2	1/2	39.60	39.60	25.40	19.80	11.90	39.60	19.10
3/4	3/4	48.80	48.80	31.80	20.60	15.70	42.40	19.10
1	1	48.50	48.50	42.90	25.40	22.40	49.30	23.90

FEMALE TEES (EQUAL)

DIMENSIONS

Female NPT Threads

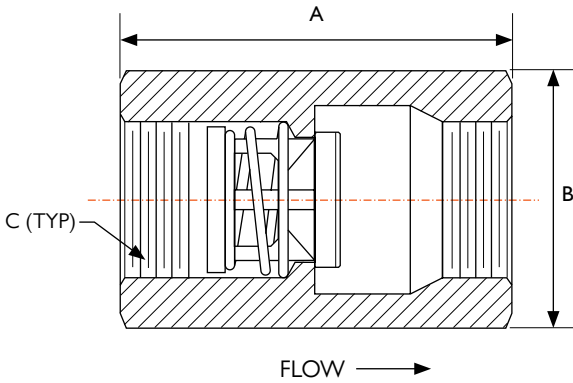


Female Pipe Size	L	F	B	E
Inches	mm			
1/16	21.80	11.10	9.90	4.80
1/8	26.40	12.70	10.40	8.60
1/4	29.70	17.50	15.00	11.40
3/8	36.10	20.60	15.00	15.00
1/2	39.60	25.40	19.80	18.50
3/4	48.80	31.80	20.60	23.90
1	48.50	42.90	25.40	29.70
1 1/4	59.80	50.80	25.40	37.20
1 1/2	65.00	63.50	27.70	43.30

PISTON CHECK MODEL CAV-3 INLINE 3000 PSI



The CAV-3 check valve is a one piece body machined from bar stock and is designed for minimum pressure drop. The valve has a light weight compact design that provides maintenance-free dependable service. 10,000 PSI Model also available to 2"



DIMENSIONS

MM (INCHES)

NB (mm)	Nom. Pipe Size (in)	Size Code	A mm (in)	Hex* Size B	C	Orifice Diameter
10	3/8	C	54.9 (2.16)	13/16	3/8 NPT	8.8 (0.348)
15	1/2	D	68.8 (2.71)	1-1/8	1/2 NPT	11.8 (0.464)
20	3/4	F	74.9 (2.95)	1-1/4	3/4 NPT	15.1 (0.593)
25	1	H	92.5 (3.64)	1-5/8	1 NPT	22.6 (0.890)
32	1-1/4	I	99.3 (3.91)	2-1/4	1-1/4 NPT	28.8 (1.135)
40	1-1/2	J	110.7 (4.36)	2-1/2	1-1/2 NPT	35.2 (1.385)
50	2	K	148.6 (5.85)	3	2 NPT	39.5 (1.555)
65	2-1/2	L	139.7 (5.50)	3-3/4	2-1/2 NPT	39.5 (1.555)
80	3	M	158.7 (6.25)	4-1/2	3 NPT	51.4 (2.025)
100	4	N	181.1 (7.13)	5-1/2	4 NPT	65.0 (2.560)

Body Material	Availability	Non-Shock Pressure-Temperature Rating	
316 Stainless Steel (SS)	Standard	3/8 - 3" (10 - 80mm) 3000 PSIG @ 38°C (100°F) (1500 PSIG for o-ring seats)	4" (100mm) 1500 PSIG @38°C (100°F)
Carbon Steel (CS)			
Brass (BR)			
Alloy 20 (A2)	Semi-standard		
Hastelloy® C (HC)			
Monel®			
Hastelloy® B (HB)	Special		
Titanium (TI)			

BALL VALVES

INSTRUMENT BALL VALVES 40 SERIES

Flowturn 40 Series Ball Valves, are a rugged compact design, offer positive shut off or directional control of fluids in process, power and instrumentation applications. The unique design ensures excellent sealing characteristics while accomodating a superior temperature range and cycle life.

A high integrity metal to metal bonnet anti ingress seal ensures leak tightness at high pressures up to 413 Bar (6000 PSI). These valves are available in two-way and multi-way 3/4/5 configurations in brass, 316 stainless steel, Monel and Inconel construction, with a wide variety of port connections.

A trunnion mounted version with Kel-F or Polyaman or metal seats is available for higher pressures up to 689 Bar (10,000 PSI).

FEATURES

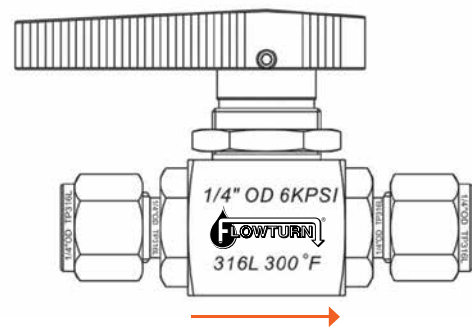
- 6~25 NB (1/4"~1")
- Uni-Body, multi gland seal design
- Uni-Body, multi gland seal design*.
- Broad temperature range.
- Blow out proof stem.
- Available in one piece stem/ball*, floating ball.
- Panel mountable option.
- Bi-Directional flow.
- Handle indicates preferred direction of flow.
- Positive handle stops.
- 100% factory Nitrogen tested.
- Low operating torque.
- Vent option.
- Manual, electric or pneumatic actuation.
- Screwed tube fitting ends.

* Refer to drawing, several design options available.

MATERIAL OF CONSTRUCTION

Item#	Part Description	Stainless Steel	Brass
1	Body	ASTM A 276 Type 316	ASTM B16 Alloy C36000
2	Stem	ASTM A276 Type 316	
3	Hollow Insert	316 Stainless Steel	
4	Packing Washer	316 Stainless Steel	
5	Packing Nut	ASTM A 479 Type 316	ASTM B16 Alloy C36000
6	Solid Insert	316 Stainless Steel	
7	Handle	Phenolic	
8	Set Screw	Stainless Steel	
9	Panel Nut	316 Stainless Steel	
10	Seat	Perfluoroalkoxy (PFA)/KEL-F/R/PTFE	
11	Packing Ring	ASTM A 479 Type 316	
12	Packing	PFA-Perfluoroalkoxy/PTFE	

Also refer to pressure temperature ratings of elastomers (such as Viton and Buna) and the overall pressure rating of the valve design itself, can reduce the pressure temperature rating of the valve.



- Ingress seals fitted as standard
- Flexible packing for replacement can extend field life further.
- Full material traceability of main components.
- Materials of construction can be supplied to meet the requirements of NACE MR-01-75 latest revision.

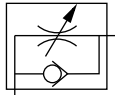
SPECIFICATIONS

Pressure Rating	2,500 PSI (172 Bar) to 6,000 PSI (414 Bar)
Temperature Rating	-54°C to 200°C* (-65°F to 392°F)
Cv	.05 to 6.96
Body Configurations	2 way, 3-way, 4 way and 5 way
Port Connection	6~25NB (1/4"~1") Tube compression - Twin Ferrule NPT (Male / Female) BSP
Seat/Packing	PFA-Perfluoroalkoxy/PTFE

* or -29° ~ 150°C if Viton seal fitted.

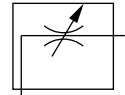
FLOW CONTROL REGULATORS FCV SERIES

MODEL FCV3 (ONE WAY) 3000 SERIES



Available Size	1/8" to 1/2" pipe thread.
Pressure Rating	Up to 16 bar [232psi]
Temperature Rating	Up to 120°C
End Connection	BSP/BSPT/NPT/SAE Straight Thread

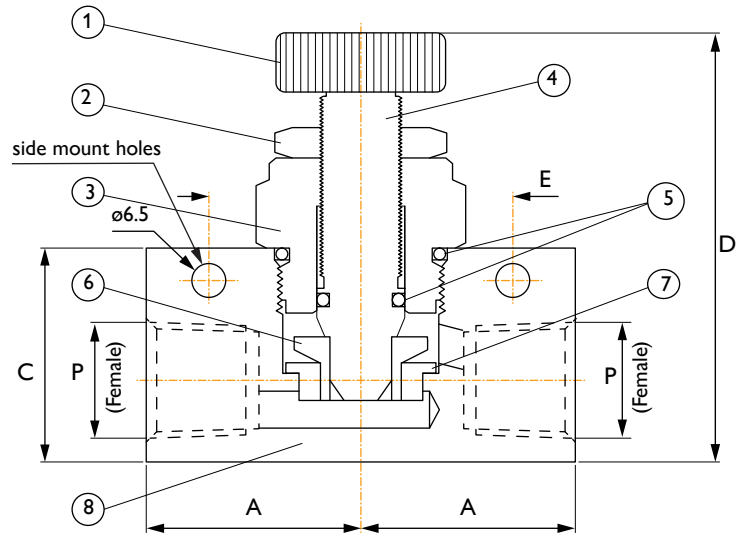
MODEL FCV4 (BI-DIRECTIONAL) 4000 SERIES



Available Size	1/8" to 1/2" pipe thread.
Pressure Rating	Up to 40 bar [580psi]
Temperature Rating	Up to 120°C
End Connection	BSP/BSPT/NPT/SAE Straight Thread

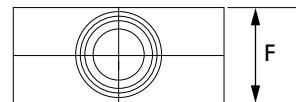


- Bifold style
- Side fixing panel or mount option.



MATERIAL OF CONSTRUCTION

Item#	Part Description	Material
1	Knob	SS316
2	Lock Position Nut (1)	SS316
3	Bonnet Body	SS316
4	Spindle (3)	SS316
5	O-Ring	Viton
6	Bushing	PTFE
7	Washer	Viton
8	Valve Body	SS316



- (1) Adjustable Nut set to maximum travel.
 (3) Variable controllable open position.

DIMENSIONS MM & KG

Pipe thread	Dimension					ev	kg	Orifice mm
	A	C	D max.	E	F			
1/8 BSP/NPT	16.5	22.0	52.0	23.8	16.0	.40	0.40	3
1/4 BSP/NPT	27.5	32.0	75.0	35.0	25.0	.50	0.45	4
3/8 BSP/NPT	27.5	32.0	75.0	35.0	25.0	.90	0.55	5
1/2 BSP/NPT	34.0	40.0	92.0	48.5	30.0	1.10	0.95	9

QUICK EXHAUST VALVES

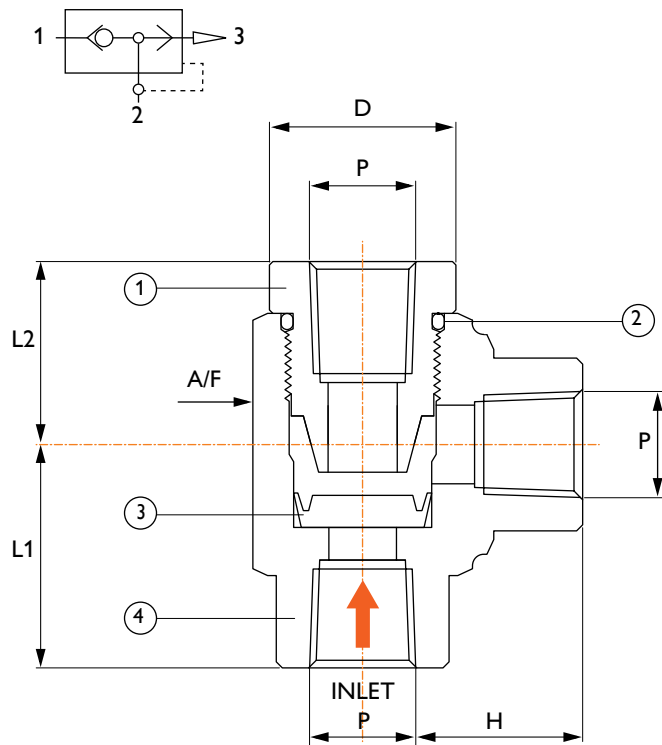
STAINLESS STEEL QUICK EXHAUST VALVES FL-S-QEV

Allows direct exhaust of compressed air due to increase of cylinder rod displacement speed, this result in reductions of cycle time.

Available Size	1/8" to 1/2" pipe thread.
Pressure Rating	Up to 10 bar [145psi]
Temperature Rating	Up to 120°C
Sealing Material	Viton
End Connection	BSP/BSPT/NPT PIPE Threads



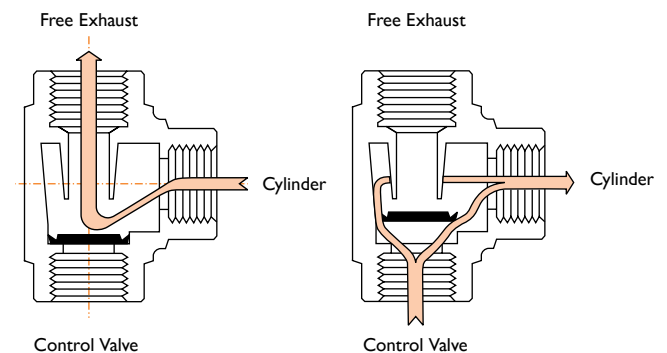
- Bifold style
- Quick acting, shuttle style.



VERTICAL INSTALLATION AS SHOWN

MATERIAL OF CONSTRUCTION

Item#	Part Description	Material
1	Cap/Plug	SS316
2	O-Ring	Viton
3	Sealing Disc	Viton
4	Body	SS316



DIMENSIONS MM & KG

P (Female)	D	H	L1	L2	A/F	Model
1/8" BSP/NPT	21.0	23.0	23.0	18.7	22.0	FL-QSVP-2N/E
1/4" BSP/NPT	21.0	25.5	25.5	19.7	22.0	FL-QSVP-4N/E
3/8" BSP/NPT	25.8	26.0	26.0	21.5	27.0	FL-QSVP-6N/E
1/2" BSP/NPT	31.0	36.0	36.0	27.8	32.0	FL-QSVP-8N/E
3/4" BSP/NPT	44.0	42.0	44.0	35.0	46.0	FL-QSVP-12N/E
1" BSP/NPT	44.0	46.0	48.0	35.0	46.0	FL-QSVP-16N/E

VENT SCREENS

VENT SCREEN SIDE PORTED

FEATURES

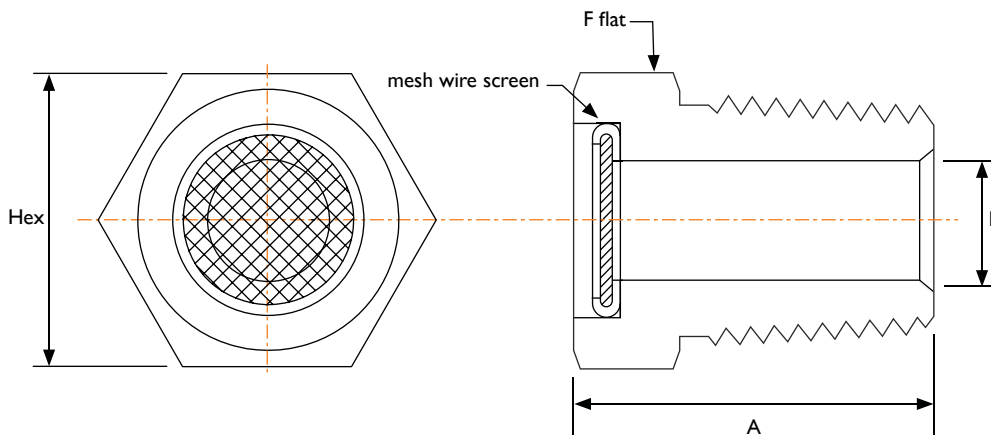
Twinlok Vent Screens protect from dust, dirt, and insects. Twinlok Vent Screens and Bug or ‘Mud Dauber’ Screens are manufactured from 316 Stainless Steel. Threaded into an exhaust or inlet port they offer effective protection against the ingress of dirt, dust, and insects with minimal effect on flow. The function of the Twinlok Vent Screen is based on a specially designed stainless steel wire mesh.

DESIGN

- Low profile
- High mechanical resistance
- Exceptional corrosion resistance



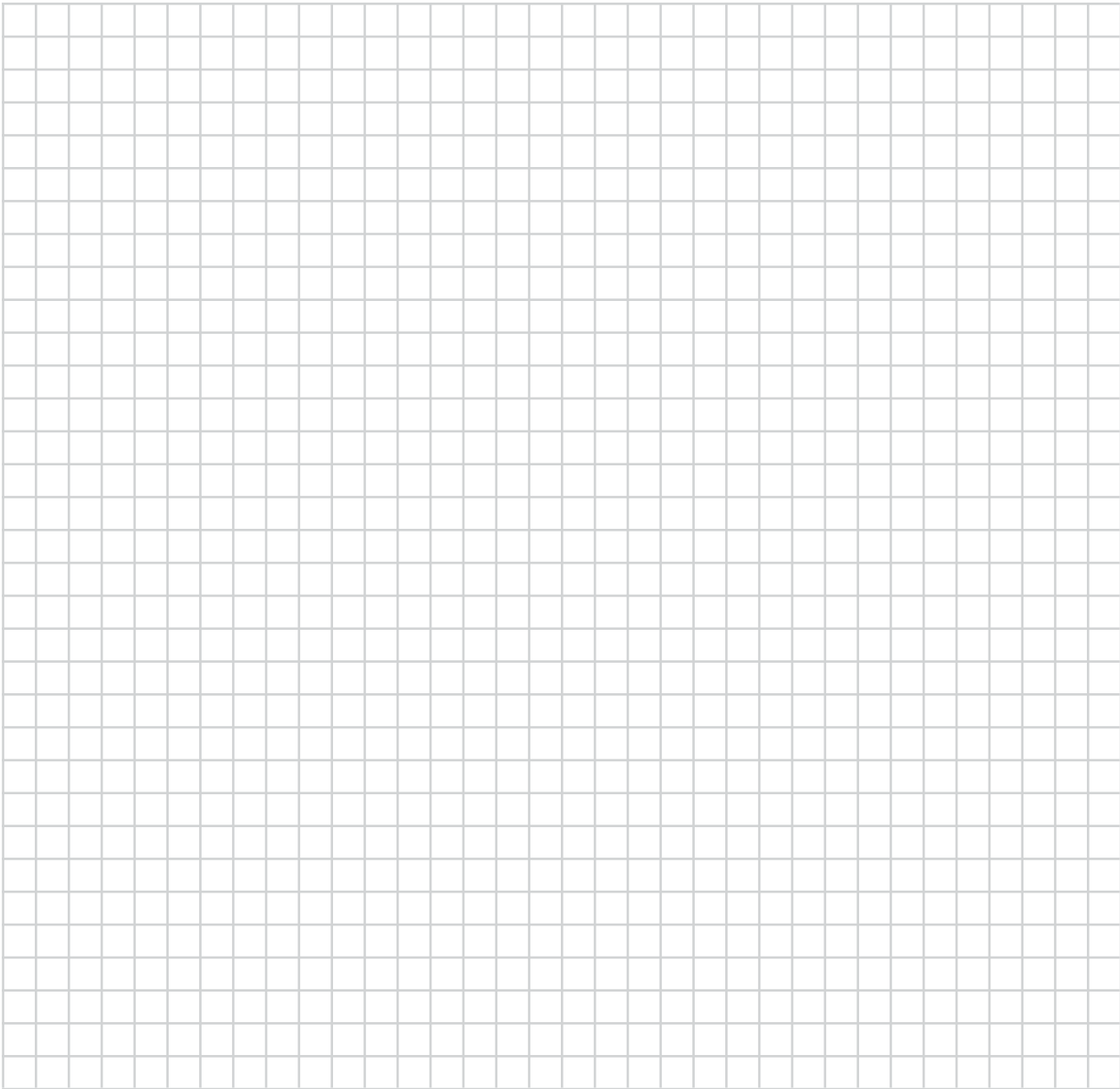
Construction	316 stainless steel body
Service	Pneumatic to 6000 psi (413.7 bar)
Function	Dust and bug screen
Port Sizes	1/8" to 1" NPT
Style	Side-ported



DIMENSIONS MM (INCHES)

Part Size Inch	DN	A mm (in)	E mm (in)	F mm (in)	Mesh	Description
1/8"	6	16.0 (0.63")	5.0 (0.20")	12.7 (1/2")	100	SSMD-2-316
1/4"	8	23.5 (0.92")	6.9 (0.27")	14.3 (9/16")	100	SSMD-4-316
3/8"	10	23.7 (0.93")	7.0 (0.28")	17.5 (11/16")	100	SSMD-6-316
1/2"	15	26.1 (1.03")	12.7 (0.50")	22.2 (7/8")	100	SSMD-8-316
3/4"	20	26.9 (1.06")	18.3 (0.72")	17.5 (1 1/16")	30~40	SSMD-12-316
1"	25	40.3 (1.59")	19.0 (0.75")	34.9 (1 3/8")	30~40	SSMD-16-316

NOTES





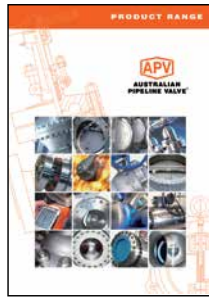
AUSTRALIAN PIPELINE VALVE®

COMPLETE PRODUCT LINE

“Australian Pipeline Valve produces isolation, control and flow reversal protection products for severe and critical service media in utility, steam, pipelines, oil & gas and process industries. APV valves and pipeline products form the most competitive portfolio in the market.”



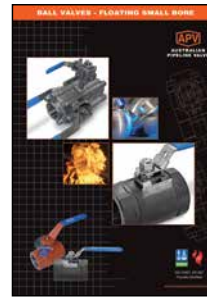
AUSTRALIAN PIPELINE VALVE BRAND RANGE - CATALOGUES



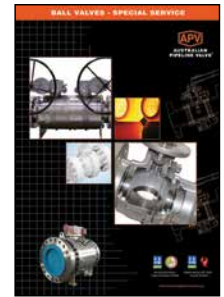
Product Brochure



Ball Valves Floating & Trunnion Mounted



Ball Valves Floating Small Bore



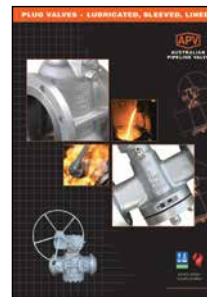
Ball Valves Special Service



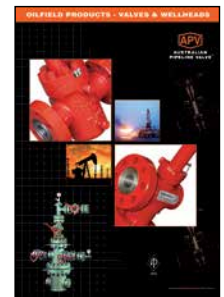
Gate, Globe & Check Valves - Cast Steel



Gate, Globe & Check Valves - Forged Steel



Plug Valves Lubricated, Sleeved & Lined

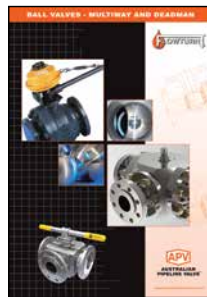


Oilfield Products - Valves & Wellheads

APV FAMILY OF BRANDS RANGE - CATALOGUES



Diamond Gear Gearboxes



Flowturn Ball Valves Multiway & Deadman



Flowturn Gate, Globe & Check Valves



Flowturn Instrument Valves



Flowturn Strainers & Sight Glasses



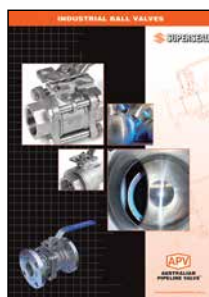
Steamco Steam Valves



Supercheck Wafer Check Valves



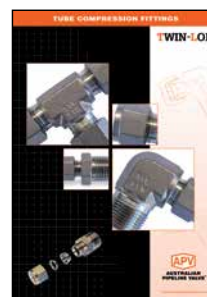
Superseal Butterfly Valves



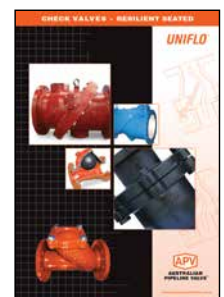
Superseal Industrial Ball Valves



Torqturn Actuators



TwinLok Tube Fittings



Uniflo Check Valves

Contact us for your local stockist/distributor



AUSTRALIAN PIPELINE VALVE®



www.australianpipelinevalve.com.au

LOCAL DISTRIBUTOR

Global Supply Line is distributor & stockist, supplying worldwide.
Full stock list on line www.globalsupplyline.com.au

Contact email: sales@globalsupplyline.com.au



QUALITY ASSURANCE AND CERTIFICATION

We are continually improving all facets of quality assurance. Full metallurgical and test certificates can be supplied.

We have endeavoured to provide a broad outline of our range and capabilities. Because we are continually developing new products for our customers this catalogue will, to some extent be incomplete. This catalogue is a general overview only, individual drawings and data sheets can be furnished on request.

If you have any requirement in the field of valves and fittings, please contact us for a prompt response. Continuous development of Australian Pipeline Valve products may necessitate changes in the design or manufacturing processes. Australian Pipeline Valve reserves the right to effect any such changes without prior notice.

