

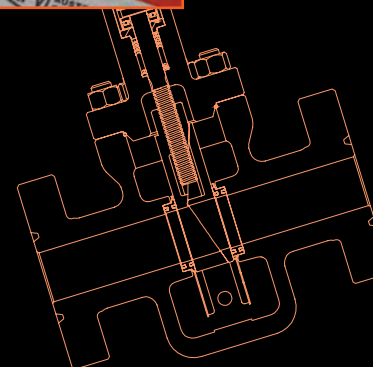
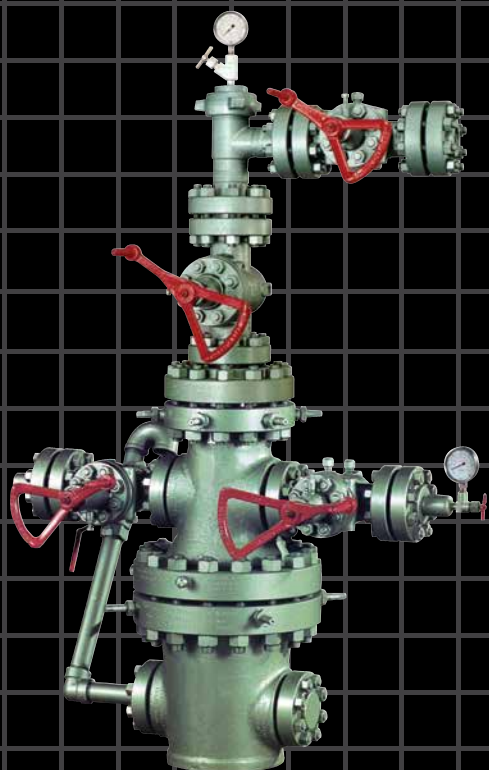
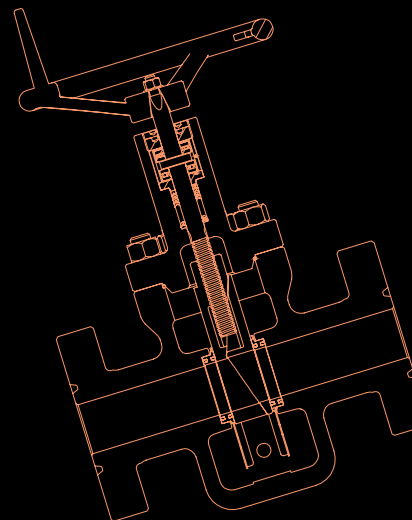
OILFIELD PRODUCTS - VALVES & WELLHEADS

SHORT VERSION

[Click here](#) for complete version of this catalogue



**AUSTRALIAN
PIPELINE VALVE®**



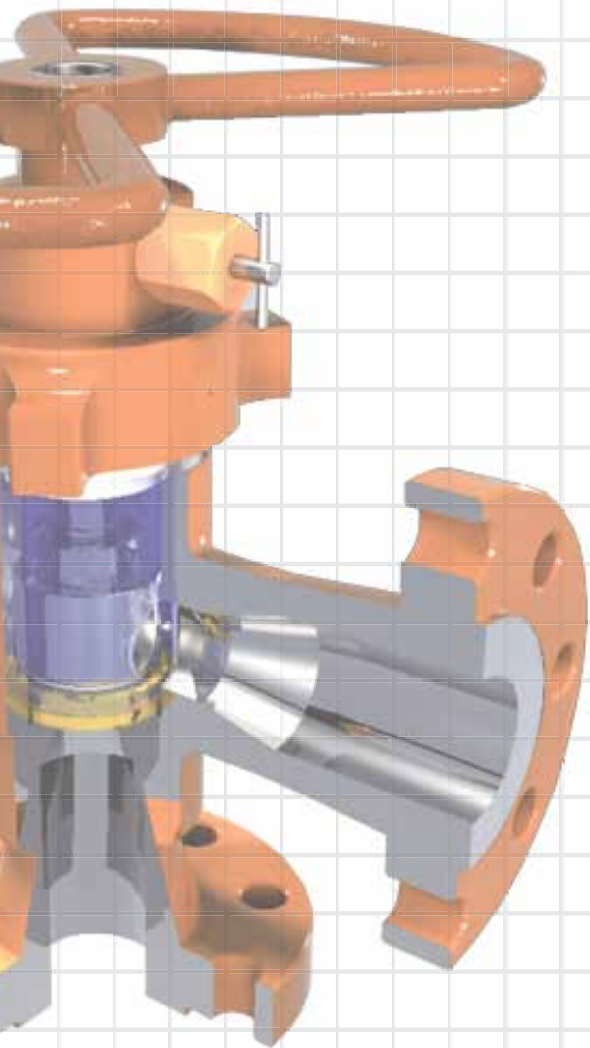
QUALITY VALVE MANUFACTURER

QUALITY COMMITMENT

Quality is Our First Priority.

Consistent product quality and a proven track record makes Australian Pipeline Valve a dependable choice for oilfield and pipeline products where total reliability is the number one concern.

Since its founding, APV's philosophy has been focused on quality. Our valves are manufactured in full compliance to worldwide standards (such as ASME/ANSI, API 6A, API 6D, EN, ISO, BS, AS).



**AUSTRALIAN
PIPELINE VALVE®**

70-78 Stanbel Road Salisbury Plain South Australia 5109

Telephone +61 (0)8 8285 0033

email: admin@australianpipelinevalve.com.au



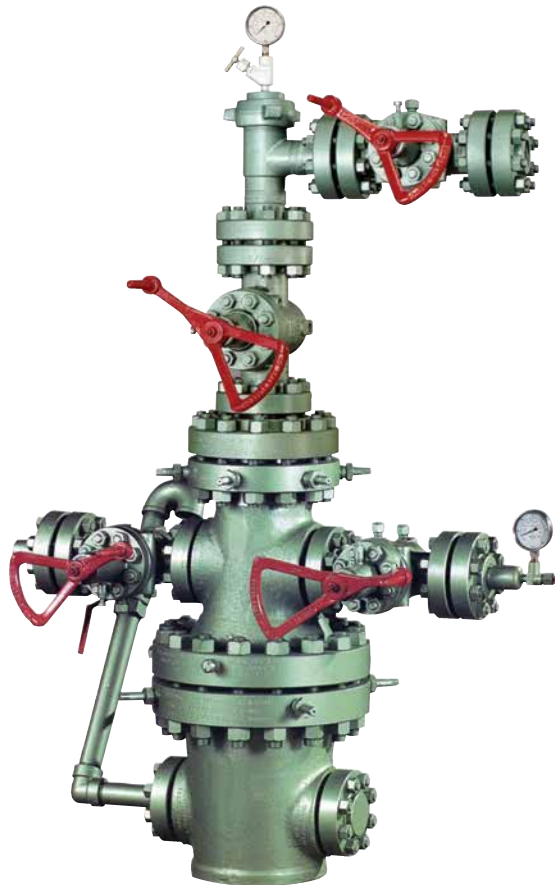
Australian Pipeline Valve (APV) has been a market leader operating since 1987 in the supply of API 6A Valves & Wellhead Equipment (FMC[®], WKM[®] & Cameron[®] style). APV are a short lead time manufacturer, specialising in fast track projects.

Australian Pipeline Valve supply high quality, reliable products. Our commitment to excellence has kept us at the forefront of the oil industry. Australian Pipeline Valve are proven in the world market.

All APV products are manufactured and finished to the highest quality standards. Our non compromising standards of certification, testing and documentation sets APV apart from the competition.

Australian Pipeline Valve partners with major sub-contractors who are ISO 9001 and API 6A licensed.

Cameron[®] and WKM[®] are Registered Trademarks of Cameron International Corporation.
FMC[®] is a Registered Trademark of TechnipFMC .



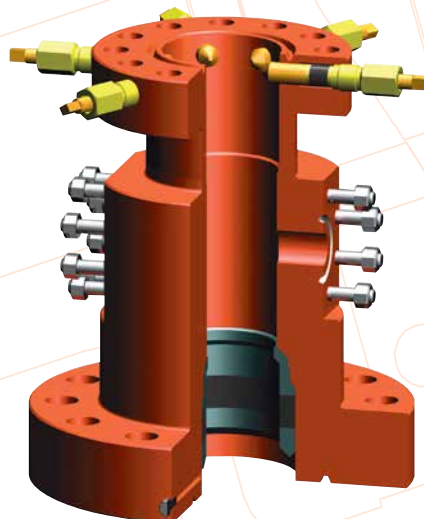
AUSTRALIAN PIPELINE VALVE[®]
70-78 Stanbel Road Salisbury Plain South Australia 5109
Telephone +61 (0)8 8285 0033
email: admin@australianpipelinevalve.com.au



TABLE OF CONTENTS



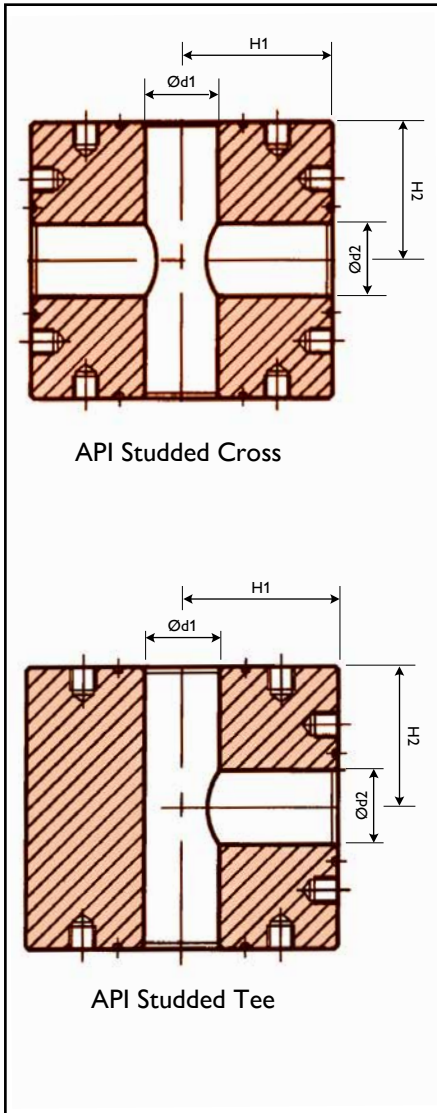
1	STUDDED CROSSES & TEES	5
	1.1 Pressure Rating - 2000 PSI	5
	1.2 Pressure Rating - 3000 PSI	5
	1.3 Pressure Rating - 5000 PSI	5
	1.4 Pressure Rating - 10000 PSI	5
	1.5 Pressure Rating - 15000 PSI	5
	1.6 Pressure Rating - 20000 PSI	5
2	WELLHEAD EQUIPMENT & RELATED ACCESSORIES	6 - 15
	C22 Casing Heads & Spools	6
	C21, C22 Casing Hangers	7
	T16 Tubing Heads	8
	T16, TC1W & TC1A Tubing Hangers	8 - 9
	TC Dual Hanger, 4- σ Reducer bushing & Dual Adapter	10
	B0-2 Tubing Head Adapter, Coupling & Type H BPV, Bottom Hole Test Adapter	11
	Bull Plugs, Nipples & VR Plugs	12
	Flanges - Packoff Adaptor, Companion & Blind	13
	T16 LP Wellheads, DSA's & Flow Tees	14
3	VALVES, CHOKES & SIGHT GLASSES	15 - 46
	Chokes	15 - 19
	Gate Valves Slab Version Overview Model M, HM & FC	20
	Gate Valves Slab Version Model M & HM	21 - 24
	Gate Valves Slab Version Model M, HM & FC Dimensions	25
	Gate Valves & Chokes Specifications	26 - 30
	Gate Valves SSV/SDV Actuated	31 - 32
	Mud Gate Valves	33 - 38
	Swing Check Valve	39
	Ball Check Valve	40
	Ball Valves	41 - 44
	Butterfly Valves	47 - 48
	Needle Valves	49
	Plug Valves	50 - 52
	Sight Glass Flanged	53



STUDDED CROSSES & TEES

1

*All dimensions are in inches



API Studded Cross

API Studded Tee

API FLANGE STUDDED CROSSES & TEES (As per API-6A)

(1.1) PRESSURE RATING:- 2000 PSI			
NOMINAL SIZE & BORE		CENTRE TO FACE	
Ød1 (vertical)	Ød2 (Outlet)	H2 (Vertical)	H1 (Horizontal)
2 1/4	2 1/4	3.50	3.50
2 1/4	2 1/4	3.50	4.00
2 1/4	2 1/4	4.50	4.50
3 1/2	2 1/4	3.50	4.50
3 1/2	2 1/4	4.50	4.50
3 1/2	3 1/2	4.50	4.50
4 1/2	2 1/4	4.50	5.50
4 1/2	2 1/4	4.50	5.50
4 1/2	3 1/2	4.50	5.50
4 1/2	4 1/2	5.50	5.50

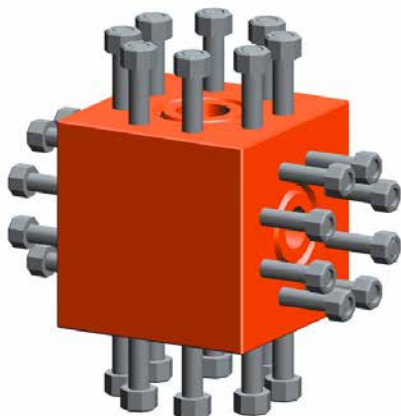
(1.2) PRESSURE RATING:- 3000 PSI			
NOMINAL SIZE & BORE		CENTRE TO FACE	
Ød1 (vertical)	Ød2 (Outlet)	H2 (Vertical)	H1 (Horizontal)
3 1/2	2 1/4	4.50	5.00
3 1/2	2 1/4	5.00	5.00
3 1/2	3 1/2	5.00	5.00
4 1/2	2 1/4	4.50	6.12
4 1/2	2 1/4	5.00	6.12
4 1/2	3 1/2	5.00	6.12
4 1/2	4 1/2	6.12	6.12

(1.3) PRESSURE RATING:- 5000 PSI			
NOMINAL SIZE & BORE		CENTRE TO FACE	
Ød1 (vertical)	Ød2 (Outlet)	H2 (Vertical)	H1 (Horizontal)
2 1/4	2 1/4	4.50	4.50
2 1/4	2 1/4	4.50	5.00
2 1/4	2 1/4	5.00	5.00
3 1/2	2 1/4	4.50	5.50
3 1/2	2 1/4	5.50	5.50
3 1/2	3 1/2	5.50	5.50
4 1/2	2 1/4	4.50	6.50
4 1/2	2 1/4	5.00	6.50
4 1/2	3 1/2	5.50	6.50
4 1/2	4 1/2	6.50	6.50

(1.4) PRESSURE RATING:- 10000 PSI			
NOMINAL SIZE & BORE		CENTRE TO FACE	
Ød1 (vertical)	Ød2 (Outlet)	H2 (Vertical)	H1 (Horizontal)
1 1/4	1 1/4	4.38	4.38
2 1/4	1 1/4	4.38	4.38
2 1/4	2 1/4	4.38	4.38
2 1/4	1 1/4	4.50	5.12
2 1/4	2 1/4	4.50	5.12
2 1/4	2 1/4	5.12	5.12
3 1/4	1 1/4	4.50	5.88
3 1/4	2 1/4	4.50	5.88
3 1/4	2 1/4	5.12	5.88
3 1/4	3 1/4	5.88	5.88
4 1/4	1 1/4	4.50	6.88
4 1/4	2 1/4	4.50	6.88
4 1/4	2 1/4	5.12	6.88
4 1/4	3 1/4	5.88	6.88
4 1/4	4 1/4	6.88	6.88

(1.5) PRESSURE RATING:- 15000 PSI			
NOMINAL SIZE & BORE		CENTRE TO FACE	
Ød1 (vertical)	Ød2 (Outlet)	H2 (Vertical)	H1 (Horizontal)
1 1/4	1 1/4	5.00	5.00
2 1/4	1 1/4	5.00	5.00
2 1/4	2 1/4	5.00	5.00
2 1/4	1 1/4	5.50	5.50
2 1/4	2 1/4	5.50	5.50
2 1/4	2 1/4	5.50	5.50
3 1/4	1 1/4	6.31	6.31
3 1/4	2 1/4	6.31	6.31
3 1/4	2 1/4	6.31	6.31
3 1/4	3 1/4	6.31	6.31
4 1/4	1 1/4	7.62	7.62
4 1/4	2 1/4	7.62	7.62
4 1/4	2 1/4	7.62	7.62
4 1/4	3 1/4	7.62	7.62
4 1/4	4 1/4	7.62	7.62

(1.6) PRESSURE RATING:- 20000 PSI			
NOMINAL SIZE & BORE		CENTRE TO FACE	
Ød1 (vertical)	Ød2 (Outlet)	H2 (Vertical)	H1 (Horizontal)
1 1/4	1 1/4	6.47	6.47
2 1/4	1 1/4	6.47	6.47
2 1/4	2 1/4	6.47	6.47
2 1/4	1 1/4	7.28	7.28
2 1/4	2 1/4	7.28	7.28
2 1/4	2 1/4	7.28	7.28
3 1/4	1 1/4	7.97	7.97
3 1/4	2 1/4	7.97	7.97
3 1/4	2 1/4	7.97	7.97
3 1/4	3 1/4	7.97	7.97
4 1/4	1 1/4	9.91	9.91
4 1/4	2 1/4	9.91	9.91
4 1/4	2 1/4	9.91	9.91
4 1/4	3 1/4	9.91	9.91
4 1/4	4 1/4	9.91	9.91



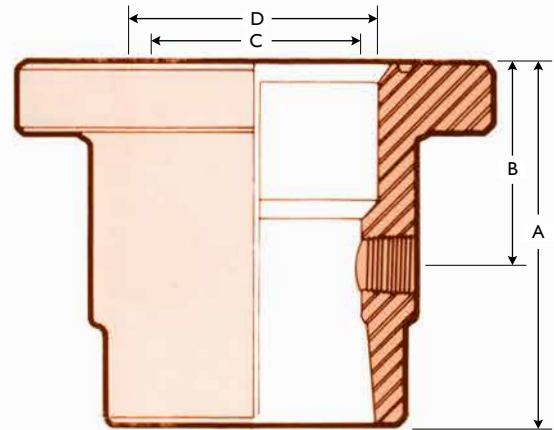
C-22 CASING HEADS

C-22 Casing Heads are straight bore bowl designs which avoid damage to the sealing (packoff) areas caused by drilling tools and permit hanging more weight than tapered bowls. C-29 Bowl also available.

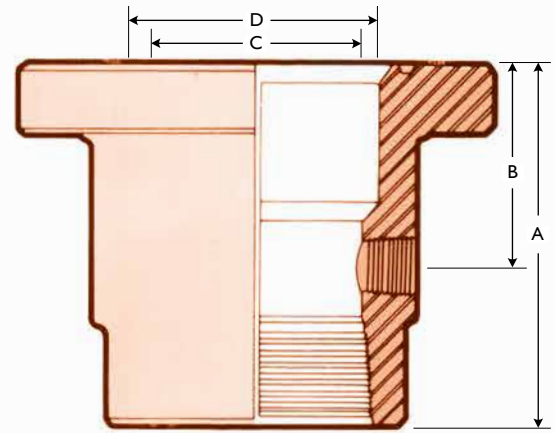
Normally furnished with threaded outlets. Longer bowls and optional lockdowns are available on request. Bottom preparation is threaded or slip-on welding, may be provided with O-Rings.

Part No.	Top Flange* ²		Bottom* Prep (in)	Outlets [†] (in)	Dimensions (in)				Approx. Weight Lbs	Approx. Weight Kgs
	Size (in)	Size (KPSI)			A	B	C	D		
-	9	2	7" 8rd	2" Thd	15	8 ¹ / ₄	6 ¹ / ₂	8 ¹ / ₂	210	95
-	9	3	7" 8rd	2" Thd	15 ¹ / ₂	9 ¹ / ₂	6 ¹ / ₂	8 ¹ / ₂	240	109
-	9	2	7 ¹ / ₂ " 8rd	2" Thd	15	8 ¹ / ₄	7	8 ¹ / ₂	210	95
-	9	3	7 ¹ / ₂ " 8rd	2" Thd	15 ¹ / ₂	9 ¹ / ₂	7	8 ¹ / ₂	240	109
277	9	2	8 ¹ / ₂ " 8rd	2" Thd	15 ¹ / ₂	8 ¹ / ₂	8	8 ¹ / ₂	180	87
280	9	3	8 ¹ / ₂ " 8rd	2" Thd	15 ¹ / ₂	9 ¹ / ₂	8	8 ¹ / ₂	240	109
-	9	5	8 ¹ / ₂ " 8rd	2" Thd	15 ¹ / ₂	9 ¹ / ₂	8	8 ¹ / ₂	250	113
201	11	2	8 ¹ / ₂ " 8rd	2" Thd	15 ¹ / ₂	9 ¹ / ₂	8	10 ¹ / ₂	340	154
213	11	3	8 ¹ / ₂ " 8rd	2" Thd	16 ¹ / ₂	9 ¹ / ₂	8	10 ¹ / ₂	460	209
225	11	5	8 ¹ / ₂ " 8rd	2" Thd	18 ¹ / ₂	11 ¹ / ₂	8	10 ¹ / ₂	710	322
202	11	2	9 ¹ / ₂ " 8rd	2" Thd	15 ¹ / ₂	9 ¹ / ₂	9	10 ¹ / ₂	320	145
214	11	3	9 ¹ / ₂ " 8rd	2" Thd	16 ¹ / ₂	9 ¹ / ₂	9	10 ¹ / ₂	430	195
226	11	5	9 ¹ / ₂ " 8rd	2" Thd	16 ¹ / ₂	9 ¹ / ₂	9	10 ¹ / ₂	680	308
203	11	2	10 ¹ / ₂ " 8rd	2" Thd	15 ¹ / ₂	9 ¹ / ₂	10	10 ¹ / ₂	300	136
215	11	3	10 ¹ / ₂ " 8rd	2" Thd	16 ¹ / ₂	9 ¹ / ₂	10	10 ¹ / ₂	410	186
227	11	5	10 ¹ / ₂ " 8rd	2" Thd	16 ¹ / ₂	9 ¹ / ₂	10	10 ¹ / ₂	590	268
207	13 ¹ / ₂	2	11 ¹ / ₂ " 8rd	2" Thd	17 ¹ / ₂	9 ¹ / ₂	11	13 ¹ / ₂	469	213
219	13 ¹ / ₂	3	11 ¹ / ₂ " 8rd	2" Thd	17 ¹ / ₂	9 ¹ / ₂	11	13 ¹ / ₂	587	266
-	13 ¹ / ₂	3	12 ¹ / ₂ " 8rd	2" Thd	16 ¹ / ₂	9 ¹ / ₂	12 ¹ / ₂	13 ¹ / ₂	500	227
208	13 ¹ / ₂	2	13 ¹ / ₂ " 8rd	2" Thd	15	9 ¹ / ₂	12 ¹ / ₂	13 ¹ / ₂	380	172
220	13 ¹ / ₂	3	13 ¹ / ₂ " 8rd	2" Thd	16 ¹ / ₂	9 ¹ / ₂	12 ¹ / ₂	13 ¹ / ₂	500	227
244	13 ¹ / ₂	5	13 ¹ / ₂ " 8rd	2" Thd	18 ¹ / ₂	12 ¹ / ₂	12 ¹ / ₂	13 ¹ / ₂	1430	649
-	16 ¹ / ₂	2	16" 8rd	2" Thd	18 ¹ / ₂	10 ¹ / ₂	15 ¹ / ₂	16 ¹ / ₂	980	445
-	16 ¹ / ₂	3	16" 8rd	2" Thd	18 ¹ / ₂	10 ¹ / ₂	15 ¹ / ₂	16 ¹ / ₂	995	451
-	20 ¹ / ₂	3	20" 8rd	2" Thd	21 ¹ / ₂	13 ¹ / ₂	19 ¹ / ₂	20 ¹ / ₂	1250	567
-	21 ¹ / ₂	2	20" 8rd	2" Thd	21 ¹ / ₂	13 ¹ / ₂	19 ¹ / ₂	20 ¹ / ₂	1400	635

† Available with Flanged Outlets
² Available with Lockdown Screws
 * Available with S.O.W. Bottom Preparation
 * Available with O-Rings



C-22 CASING HEAD
SLIP-ON WELD PREPARATION



C-22 CASING HEAD
8RD BOTTOM PREPARATION

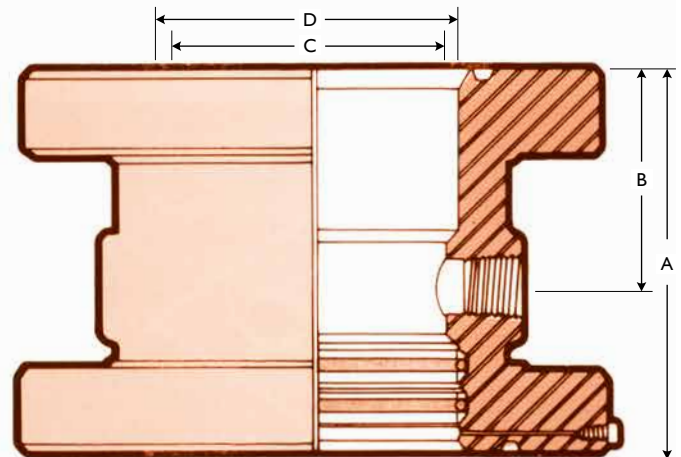
C-22 CASING SPOOLS

C-22 Casing Head Spools are straight bore bowl designs. Bottom preparation is of the R-Seal Type. Outlets are available threaded, studded or extended neck flanged.

Spools utilize the same C-22 automatic Casing Hangers as Casing Heads adding to equipment flexibility. Bowl Protectors and lockdowns are available on request. C-29 Bowl also available.

Part No.	Bottom Flange		Top Flange		Bottom Prep*	Outlet [†] (in)	Dimensions (in)				Approx. Weight Lbs	Approx. Weight Kgs
	Size (in)	WP (KPSI)	Size (in)	WP (KPSI)			A	B	C	D		
-	11	2	11	2	R-Seal	2" LPO	17 ¹ / ₂	8 ¹ / ₂	10	10 ¹ / ₂	520	236
644	11	3	11	5	R-Seal	2" LPO	17 ¹ / ₂	8 ¹ / ₂	10	10 ¹ / ₂	660	299
614	11	5	11	5	R-Seal	2" LPO	17 ¹ / ₂	8 ¹ / ₂	10	10 ¹ / ₂	710	322
607	13 ¹ / ₂	2	11	2	R-Seal	2" LPO	17 ¹ / ₂	8 ¹ / ₂	10	10 ¹ / ₂	680	308
654	13 ¹ / ₂	2	11	3	R-Seal	2" LPO	17 ¹ / ₂	8 ¹ / ₂	10	10 ¹ / ₂	680	308
602	13 ¹ / ₂	3	11	3	R-Seal	2" LPO	17 ¹ / ₂	8 ¹ / ₂	10	10 ¹ / ₂	710	322
604	13 ¹ / ₂	3	11	5	R-Seal	2" LPO	24 ¹ / ₂	12 ¹ / ₂	10	10 ¹ / ₂	1100	499
647	13 ¹ / ₂	5	11	5	R-Seal	2" LPO	24 ¹ / ₂	12 ¹ / ₂	10	10 ¹ / ₂	1254	569
645	13 ¹ / ₂	5	11	10	R-Seal	1 ¹ / ₂ " SSO	26 ¹ / ₂	14 ¹ / ₂	9	10 ¹ / ₂	1948	884
661	13 ¹ / ₂	5	13 ¹ / ₂	5	R-Seal	2" LPO	26 ¹ / ₂	14 ¹ / ₂	9	10 ¹ / ₂	1893	859
-	16 ¹ / ₂	2	11	3	R-Seal	2" LPO	17 ¹ / ₂	8 ¹ / ₂	10	10 ¹ / ₂	846	384
-	16 ¹ / ₂	3	11	3	R-Seal	2" LPO	17 ¹ / ₂	8 ¹ / ₂	10	10 ¹ / ₂	1080	490
662	16 ¹ / ₂	3	11	5	R-Seal	2" LPO	22 ¹ / ₂	12 ¹ / ₂	10	10 ¹ / ₂	1300	590
-	16 ¹ / ₂	3	13 ¹ / ₂	3	R-Seal	2" LPO	24 ¹ / ₂	13 ¹ / ₂	10	10 ¹ / ₂	1452	659
623	20 ¹ / ₂	3	13 ¹ / ₂	5	R-Seal	2" LPO	24 ¹ / ₂	12 ¹ / ₂	12 ¹ / ₂	13 ¹ / ₂	2450	1111
-	21 ¹ / ₂	2	13 ¹ / ₂	3	R-Seal	2" LPO	26 ¹ / ₂	14 ¹ / ₂	12 ¹ / ₂	13 ¹ / ₂	2063	936
-	21 ¹ / ₂	3	13 ¹ / ₂	3	R-Seal	2" LPO	26 ¹ / ₂	14 ¹ / ₂	12 ¹ / ₂	13 ¹ / ₂	2063	936

† Available with Flanged or Studded Outlets.
 * Available with 9", 10¹/₂" Blank Bottom Preparation.
 * Available with "00" Bottom.



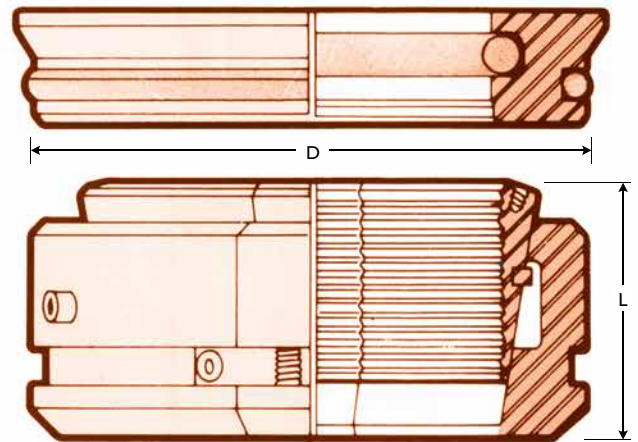
C-22 CASING SPOOL
"00" BOTTOM PREPARATION

C-21 CASING HANGERS WITH TYPE "H" SEAL

C-22 Casing Hangers consist of slips, slip bowls and floating type "H" seal rings. Slips and bowl wrap around the casing. The seal ring slips over casing and into casing head after casing has been suspended and cut off, providing positive annulus packoff.

Part No.	Bowl Size (in)	Casing Size (in)	Dimensions (in)		Approx. Weight Lbs	Approx. Weight Kgs
			D	L		
401	11	4½	10¾	4½	94	43
-	11	5	10¾	4¾	90	41
422	11	5½	10¾	4¾	79	36
-	11	6¾	10¾	4¾	84	38
-	11	7	10¾	4¾	67	30
-	11	7¾	10¾	4¾	59	27
-	13¾	4½	13¾	4¾	150	68

Other sizes upon request.



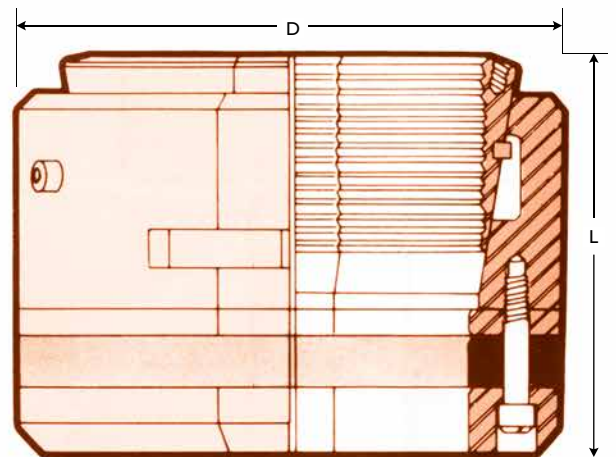
C-21 CASING HANGER

CASING HANGERS FOR C-22 CASING HEADS AND SPOOLS

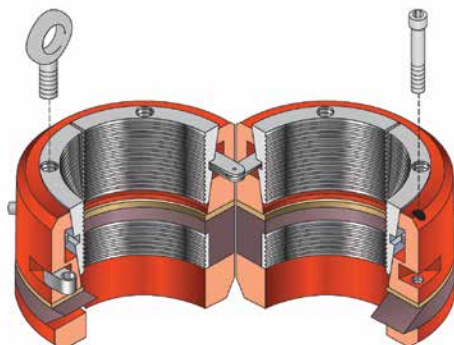
C-22 Casing Hangers combine packoff and slip bowl, and slip into a single unit. The packoff automatically seals the casing annulus below the slips when casing load is applied, allowing annulus packoff before removing BOPs.

Part No.	Bowl Size (in)	Casing Size (in)	Dimensions (in)		Approx. Weight Lbs	Approx. Weight Kgs
			D	L		
425	9	4½	8¾	8¾	45	20
-	9	5	8¾	8¾	40	18
426	9	5½	8¾	8¾	34	15
402	11	4½	10¾	8¾	95	43
417	11	5	10¾	8¾	89	40
414	11	5½	10¾	8¾	89	40
416	11	7	10¾	8¾	79	36
415	11	7¾	10¾	8¾	60	27
423	13¾	4½	13¾	8¾	167	76
424	13¾	5½	13¾	8¾	160	73
418	13¾	7	13¾	8¾	152	69
419	13¾	7¾	13¾	8¾	140	64
420	13¾	8	13¾	8¾	25	11
421	13¾	9	13¾	8¾	108	49
-	16¾	9	16¾	9	281	127
-	16¾	10	16¾	9	233	106
-	20	13¾	20	9	310	141

Other sizes upon request.



C-22 CASING HANGER



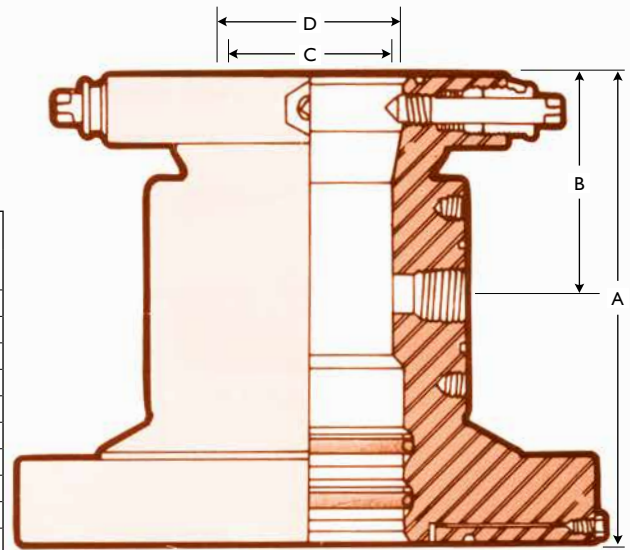
T-16 TUBING HEADS

T-16 Tubing Heads are tapered-bore heads and are available in various sizes and pressure ratings. Outlets are 2" threaded or studded. Larger outlets are available on request. Studded outlets will accept V-R Plugs enabling removal or repair of full opening valves.

Lockdown screws are supplied in top flanges enabling tubing hangers or stripper rubbers to be locked in bowl.

T-16 Tubing Heads are supplied with 9" blank bottoms or "00" bottom as well as R-Seal bottoms.

Part No.	Bottom Flange		Top Flange		Outlets (in)	Bottom Prep (in)	Dimensions (in)				Approx Weight Lbs	Approx Weight Kgs
	Size (in)	WP (PSI)	Size (in)	WP (KPSI)			A	B	C	D		
855	9	2	7 ¹ / ₁₆	2	2 LPO	9 BLK	17 ¹ / ₁₆	8 ¹ / ₁₆	6 ¹ / ₁₆	7	530	240
856	9	3	7 ¹ / ₁₆	3	2 LPO	9 BLK	17 ¹ / ₁₆	8 ¹ / ₁₆	6 ¹ / ₁₆	7	530	240
806	11	2	7 ¹ / ₁₆	2	2 LPO	9 BLK	15 ⁹ / ₁₆	7 ¹ / ₁₆	6 ¹ / ₁₆	7	420	191
807	11	3	7 ¹ / ₁₆	3	2 LPO	9 BLK	15 ¹ / ₁₆	6 ¹ / ₁₆	6 ¹ / ₁₆	7	480	218
808	11	3	7 ¹ / ₁₆	3	2 LPO	9 BLK	18 ¹ / ₁₆	8 ¹ / ₁₆	6 ¹ / ₁₆	7	615	279
810	11	3	7 ¹ / ₁₆	3	2 SSO	9 BLK	18 ³ / ₁₆	18 ³ / ₁₆	6 ¹ / ₁₆	7	620	281
828	11	3	7 ¹ / ₁₆	5	2 SSO	9 BLK	20 ¹ / ₁₆	10 ³ / ₁₆	6 ¹ / ₁₆	7	670	304
-	11	5	7 ¹ / ₁₆	5	2 SSO	9 BLK	20 ¹ / ₁₆	9 ¹ / ₁₆	6 ¹ / ₁₆	7	870	395
-	13 ¹ / ₁₆	2	7 ¹ / ₁₆	2	2 LPO	10 ¹ / ₁₆ BLK	18 ¹ / ₁₆	9 ¹ / ₁₆	6 ¹ / ₁₆	7	600	272
-	13 ¹ / ₁₆	2	7 ¹ / ₁₆	3	2 LPO	10 ¹ / ₁₆ BLK	20 ¹ / ₁₆	9 ¹ / ₁₆	6 ¹ / ₁₆	7	650	295
830	13 ¹ / ₁₆	3	7 ¹ / ₁₆	3	2 LPO	10 ¹ / ₁₆ BLK	20 ¹ / ₁₆	9 ¹ / ₁₆	6 ¹ / ₁₆	7	759	344
-	13 ¹ / ₁₆	3	7 ¹ / ₁₆	3	2 SSO	10 ¹ / ₁₆ BLK	20 ¹ / ₁₆	9 ¹ / ₁₆	6 ¹ / ₁₆	7	770	349
-	13 ¹ / ₁₆	3	7 ¹ / ₁₆	5	2 SSO	10 ¹ / ₁₆ BLK	18 ¹ / ₁₆	9 ¹ / ₁₆	6 ¹ / ₁₆	7	880	399



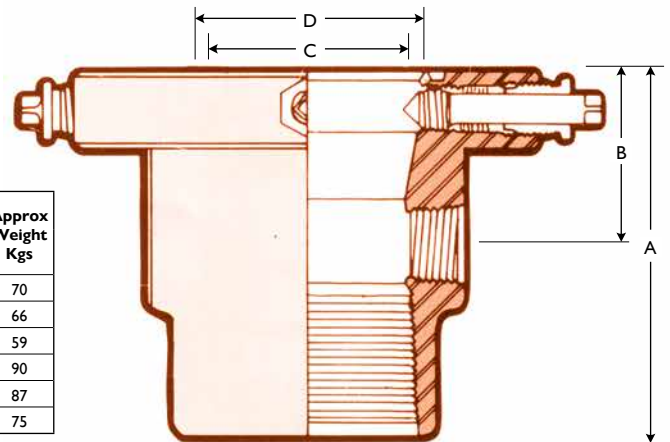
T-16 TUBING HEAD

T-16 THREADED BOTTOM TUBING HEADS

T-16 Threaded Bottom Tubing Heads are for low pressure and shallow well service. Heads accept T-16 and WA-5 tubing hangers and stripper rubber.

Part No.	Size (in)	Bottom		Side Outlet (in)	Dimensions (in)				Approx Weight Lbs	Approx Weight Kgs
		WP (KPSI)	Thread* (in)		A	B	C	D		
800	7 ¹ / ₁₆	2	4 ¹ / ₂ OD 8rd	2	14 ¹ / ₁₆	6 ¹ / ₁₆	4 ³ / ₁₆	7	154	70
801	7 ¹ / ₁₆	2	5 ¹ / ₂ OD 8rd	2	14 ¹ / ₁₆	6 ¹ / ₁₆	5	7	146	66
-	7 ¹ / ₁₆	2	7 OD 8rd	2	14 ¹ / ₁₆	6 ¹ / ₁₆	6 ¹ / ₁₆	7	129	59
802	7 ¹ / ₁₆	3	4 ¹ / ₂ OD 8rd	2	14 ¹ / ₁₆	6 ¹ / ₁₆	4 ³ / ₁₆	7	198	90
803	7 ¹ / ₁₆	3	5 ¹ / ₂ OD 8rd	2	14 ¹ / ₁₆	6 ¹ / ₁₆	5	7	192	87
-	7 ¹ / ₁₆	3	7 OD 8rd	2	14 ¹ / ₁₆	6 ¹ / ₁₆	6 ¹ / ₁₆	7	166	75

*Available with slip-on weld bottom preparation.

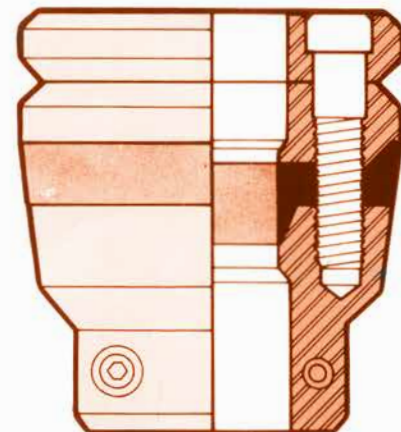


T-16 TUBING HEAD WITH THREADED BOTTOM

TUBING HANGERS FOR T-16 TUBING HEADS

WA-5 Tubing Hangers are slick joint, wrap-around that can be wrapped around any joint of tubing not requiring a polished joint. They can be lowered through BOP equipment and locked in place, allowing removal of BOP equipment while keeping the well under control. The upper section of the Christmas tree is installed on tubing threads or on a BO-2 coupling, permitting the operator to maintain control of the well while manipulating the tubing to set the packer.

Part No.	Size (in)	Approx. Weight Lbs	Approx. Weight Kgs
1216	7 ¹ / ₁₆ x 2 ¹ / ₂ OD	32	15
1217	7 ¹ / ₁₆ x 2 ¹ / ₂ OD	30	14
-	7 ¹ / ₁₆ x 3 ¹ / ₂ OD	28	13



WA-5 TUBING HANGER

TUBING HANGERS FOR T-16 TUBING HEADS

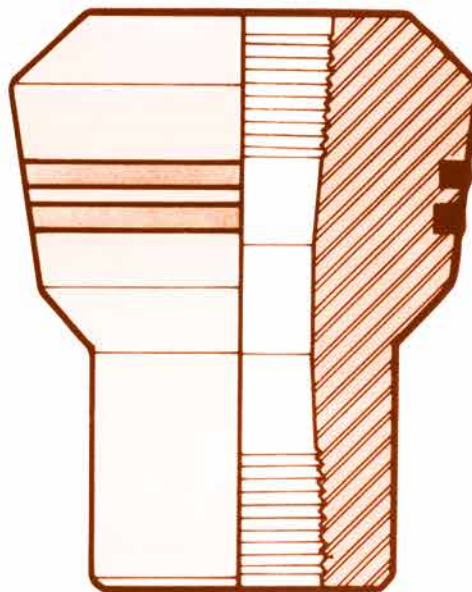
T-16 Tubing Hangers are threaded mandrel hangers with packing rings for annulus packoff. The T-16-B is the same type adding preparations for back pressure valves.

T-16

Part No.	Size (in)	Approx. Weight Lbs	Approx. Weight Kgs
1221	7/8 x 2 1/2 OD EUE	58	26
1222	7/8 x 2 1/2 OD EUE	56	25
-	7/8 x 3 1/2 OD EUE	56	25

T-16-B

Part No.	Size (in)	Approx. Weight Lbs	Approx. Weight Kgs
-	7/8 x 2 1/2 OD	50	23
-	7/8 x 2 1/2 OD	45	20
-	7/8 x 3 1/2 OD	48	22

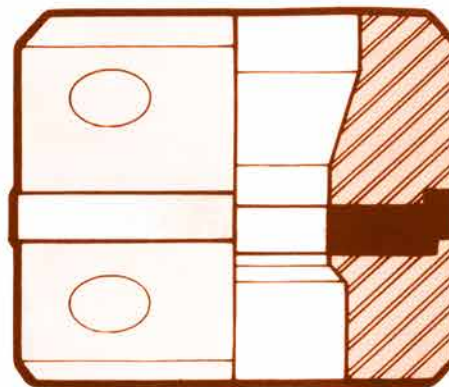


T-16 TUBING HANGER

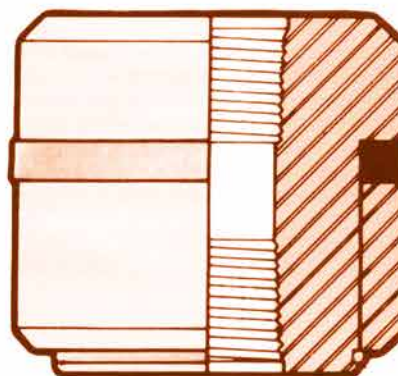
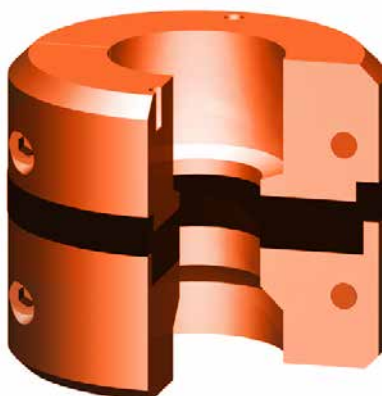
TC-1W AND TC-1A TUBING HANGERS FOR TCM TUBING HEADS

The TC-1W is a slick joint, wrap-around hanger not requiring a polished joint. The TC-1A is a threaded hanger with an automatic, load actuated packoff. Also available with back pressure valve preparation.

Part No.	Description	Size 7/8 x 2 1/2	Approx Weight Lbs	Approx Weight Kgs	Size 7/8 x 2 1/2	Approx Weight Lbs	Approx Weight Kgs	Size 7/8 x 3 1/2 OD	Approx Weight Lbs	Approx Weight Kgs
1210, 1211, 1212	Single TC-1A		60	27		60	27		55	25
	TC-1A (For BP Valve)		72	33		64	29		60	27
1203, 1204	TC-1W		70	32		65	29		60	27



TC-1W TUBING HANGER



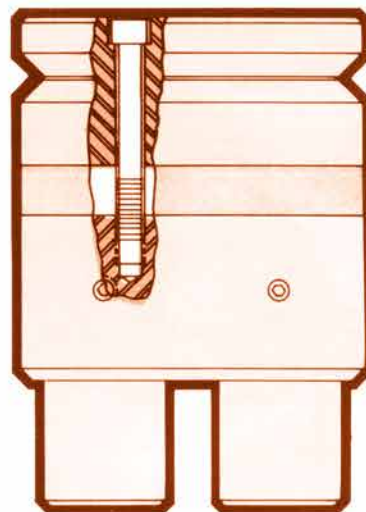
TC-1A TUBING HANGER

DUAL TUBING HANGER

TYPE TC

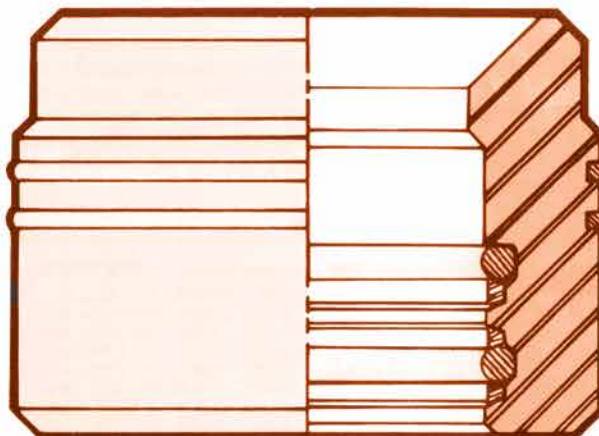
The TC Tubing Hanger is used on dual tubing completions

TYPE TC
TUBING
HANGER



4-0 REDUCER BUSHING

Part No.	Size (in)	Casing Size (in)	Approx. Weight Lbs	Approx. Weight Kgs
1026	9	4½	85	39
-	9	5	75	34
1027	9	5½	68	31
1028	9	7	43	20
1029	9	7½	30	14
-	10½	7	93	42
-	10½	7½	75	34
-	10½	8½	50	23

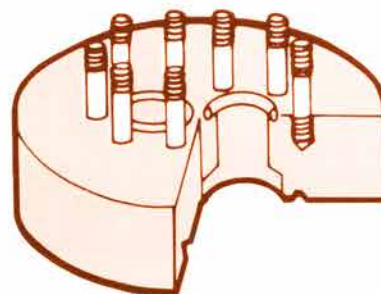


4/0 REDUCER BUSHING

DUAL ADAPTOR

Part No.	Bottom Flange		Top Flange (in)	Approx. Weight Lbs	Approx. Weight Kgs
	Size (in)	WP (KPSI)			
-	7½	5	2½ x 2½	225	102
-	9	5	2½ x 2½	350	159
-	11	5	3½ x 3½	570	259

Other sizes available upon request.



DUAL ADAPTOR

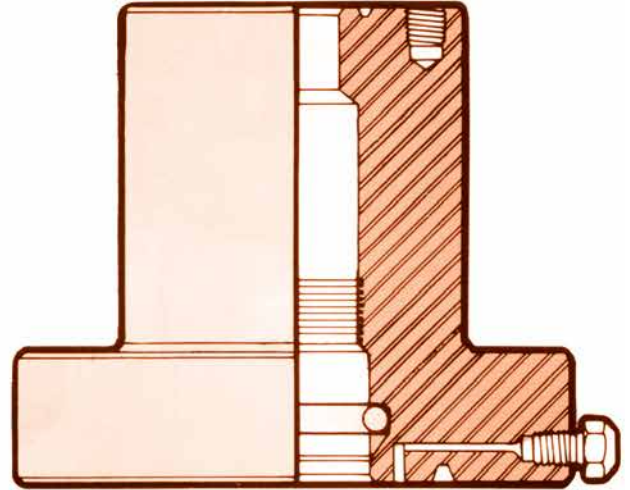
TUBING HEAD ADAPTORS

BO-2 Tubing Head Adaptors combined with BO-2 Hanger Couplings having Type "H" back pressure valve preparation and utilising a Acme thread makeup provides easy installation and reliable high pressure connection.

When needed, the back pressure valve can be installed for valve repair, removal, installation or changeout of complete Christmas tree. BO-2s are equipped with test ports for testing all seals.

Part No.	Bottom Flange		Top Flange		Tubing Size (in)	Approx Weight Lbs	Approx Weight Kgs
	Size (in)	WP (KPSI)	Size (in)	WP (KPSI)			
1601	7 ¹ / ₁₆	3	2 ¹ / ₁₆	5	2 ¹ / ₂	259	117
1602	7 ¹ / ₁₆	3	2 ¹ / ₁₆	5	2 ¹ / ₂	259	117
-	7 ¹ / ₁₆	3	3 ¹ / ₈	3	3 ¹ / ₂	255	116
1603	7 ¹ / ₁₆	5	2 ¹ / ₁₆	5	2 ¹ / ₂	281	127
1604	7 ¹ / ₁₆	5	2 ¹ / ₁₆	5	2 ¹ / ₂	281	127
-	7 ¹ / ₁₆	5	3 ¹ / ₈	5	3 ¹ / ₂	277	126
1611	7 ¹ / ₁₆	5	2 ¹ / ₁₆	10	2 ¹ / ₂	278	126
1605	7 ¹ / ₁₆	5	2 ¹ / ₁₆	10	2 ¹ / ₂	278	126
1606	7 ¹ / ₁₆	10	2 ¹ / ₁₆	10	2 ¹ / ₂	483	219
1607	7 ¹ / ₁₆	10	2 ¹ / ₁₆	10	2 ¹ / ₂	483	219
1608	7 ¹ / ₁₆	10	3 ¹ / ₈	10	3 ¹ / ₂	479	217
-	7 ¹ / ₁₆	15	2 ¹ / ₁₆	15	2 ¹ / ₂	601	273
1610	7 ¹ / ₁₆	15	2 ¹ / ₁₆	15	2 ¹ / ₂	601	273
-	7 ¹ / ₁₆	15	3 ¹ / ₈	15	3 ¹ / ₂	597	271

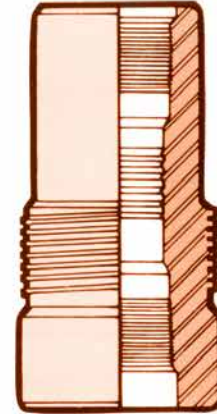
Other sizes available upon request.



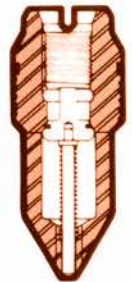
BO-2 ADAPTOR

BO-2 HANGER COUPLINGS AND BACK PRESSURE VALVES

Part No.	Size	Approx. Weight Lbs	Approx Weight Kgs
1617	2 ¹ / ₂ OD EUE x 2 ¹ / ₂ OD EUE	22	10
1615	2 ¹ / ₂ OD EUE x 2 ¹ / ₂ OD EUE	15	7
1616	3 ¹ / ₂ OD EUE x 3 ¹ / ₂ OD EUE	35	16



BO-2 COUPLING

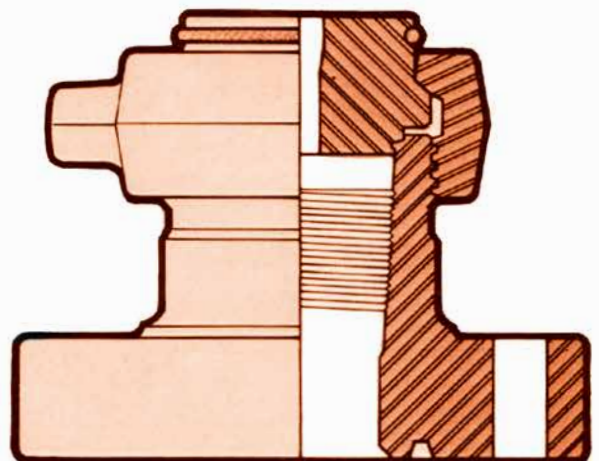


TYPE H BACK PRESSURE VALVE

BOTTOM HOLE TEST ADAPTORS (TREE CAP)

Available in various sizes and working pressures up to 15,000 PSI.

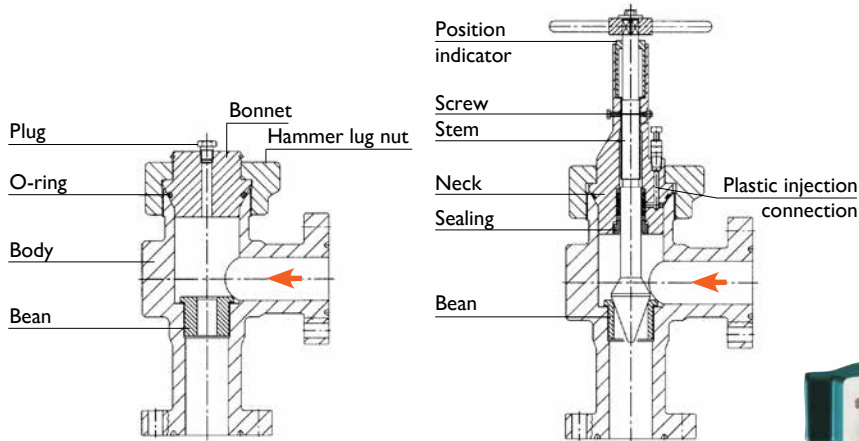
Part No.	Lower Conn.	Bore	Lift Thread	Approx Weight Lbs	Approx Weight Kgs
-	2 ¹ / ₁₆ -2,000	2 ¹ / ₁₆	2 ¹ / ₂ EUE	36	16
2601	2 ¹ / ₁₆ -5,000	2 ¹ / ₁₆	2 ¹ / ₂ EUE	52	24
-	2 ¹ / ₁₆ -2,000	2 ¹ / ₁₆	2 ¹ / ₂ EUE	40	18
2602	2 ¹ / ₁₆ -5,000	2 ¹ / ₁₆	2 ¹ / ₂ EUE	60	27
2603	2 ¹ / ₁₆ -10,000	2 ¹ / ₁₆	2 ¹ / ₂ EUE	84	38
2614	2 ¹ / ₁₆ -15,000	2 ¹ / ₁₆	2 ¹ / ₂ EUE	90	41
2604	2 ¹ / ₁₆ -10,000	2 ¹ / ₁₆	2 ¹ / ₂ EUE	88	40
2615	2 ¹ / ₁₆ -15,000	2 ¹ / ₁₆	2 ¹ / ₂ EUE	95	43
2605	3 ¹ / ₁₆ -10,000	3 ¹ / ₁₆	3 ¹ / ₂ EUE	95	43
2616	3 ¹ / ₁₆ -15,000	3 ¹ / ₁₆	3 ¹ / ₂ EUE	103	47



BOTTOM HOLE TEST ADAPTOR



API 6A CHOKE



Available in flanged and screwed type. (mandrel type)

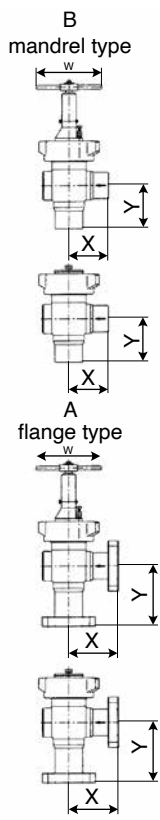
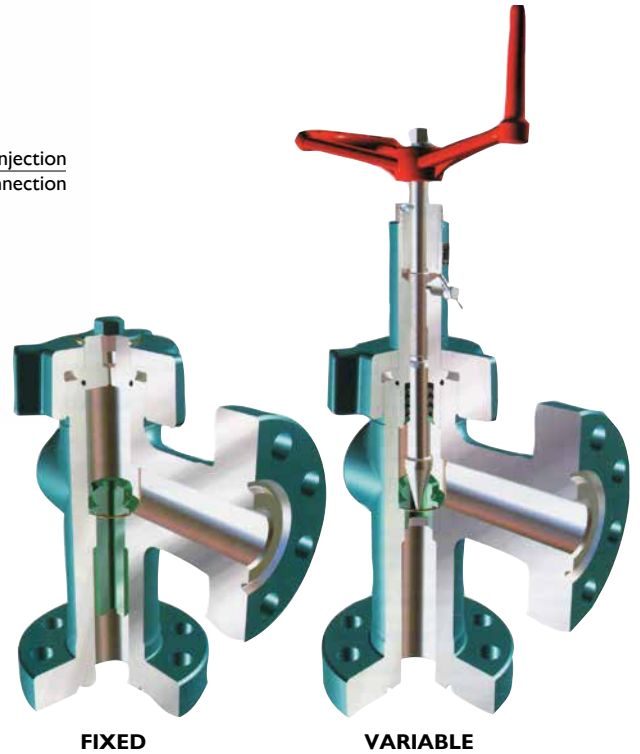
POSITIVE CHOKE

The flow rate is determined by the choke bean, which are changeable. Positive chokes can be converted readily to adjustable choke by replacement of the interchangeable bonnets and internals.

ADJUSTABLE CHOKE

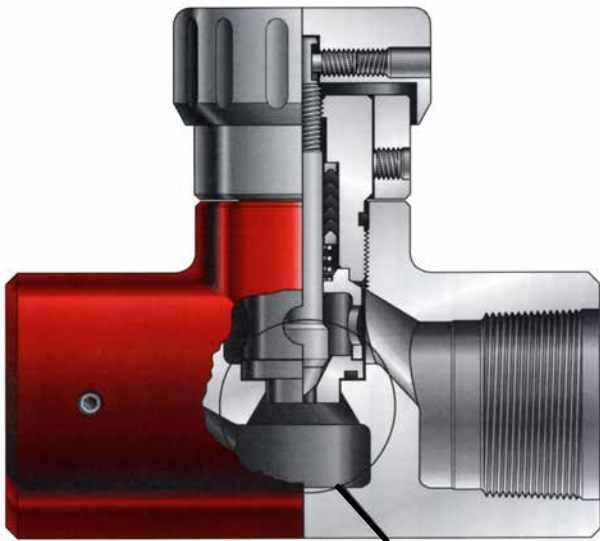
The flow rate can be adjusted.

TRIM/SERVICE - See Page 26 to 29.



Maximum bean size 1" (Orifice)											
Flange Size	Mandrel Size	Working Pressure PSI	Type	w		x		y		z	
				mm	in	mm	in	mm	in	mm	in
-	2" LP	3000	B			87.3	3 ¹ / ₁₆ "	115.9	4 ¹ / ₁₆ "		
-	2" LP	5000	B			87.3	3 ¹ / ₁₆ "	115.9	4 ¹ / ₁₆ "		
2 ¹ / ₁₆ "	-	2000	A			169.9	6 ¹ / ₁₆ "	198.4	7 ¹³ / ₁₆ "		
2 ¹ / ₁₆ "	-	5000	A			174.6	6 ⁷ / ₁₆ "	203.2	8"		
2 ⁹ / ₁₆ "	-	5000	A			176.2	6 ¹⁵ / ₁₆ "	209.6	8 ¹ / ₄ "		
3 ¹ / ₈ "	-	3000	A			198.4	7 ³ / ₁₆ "	227.0	8 ¹⁵ / ₁₆ "		
3 ¹ / ₈ "	-	5000	A			246.1	9 ¹ / ₁₆ "	242.9	9 ⁹ / ₁₆ "		
2 ¹ / ₁₆ "	-	10000	A			195.3	7 ¹ / ₁₆ "	223.8	8 ¹³ / ₁₆ "		
2 ⁹ / ₁₆ "	-	10000	A			208.0	8 ⁷ / ₁₆ "	236.5	9 ⁵ / ₁₆ "		
Maximum bean size 2" (Orifice)											
-	-	3000	B			114.3	4 ¹ / ₂ "	177.8	7"		
2 ¹ / ₁₆ "	-	5000	A			227.0	8 ⁵ / ₁₆ "	290.5	11 ⁷ / ₁₆ "		
2 ⁹ / ₁₆ "	-	5000	A			225.4	8 ⁷ / ₁₆ "	298.5	11 ³ / ₄ "		
3 ¹ / ₈ "	-	2000	A			225.4	8 ⁷ / ₁₆ "	288.9	11 ³ / ₈ "		
3 ¹ / ₈ "	-	3000	A			225.4	8 ⁷ / ₁₆ "	288.9	11 ³ / ₈ "		
3 ¹ / ₈ "	-	5000	A			225.4	8 ⁷ / ₁₆ "	288.9	11 ³ / ₈ "		
4 ¹ / ₁₆ "	-	3000	A			263.5	10 ³ / ₈ "	295.3	11 ⁵ / ₈ "		
4 ¹ / ₁₆ "	-	5000	A			263.5	10 ³ / ₈ "	320.7	12 ⁵ / ₈ "		
2 ¹ / ₁₆ "	-	10000	A			263.5	10 ³ / ₈ "	304.8	12"		
2 ⁹ / ₁₆ "	-	10000	A			263.5	10 ³ / ₈ "	298.6	11 ³ / ₄ "		
3 ¹ / ₁₆ "	-	10000	A			263.5	10 ³ / ₈ "	298.5	11 ³ / ₄ "		

FCV SERIES GAS LIFT FLOW CONTROL VALVES



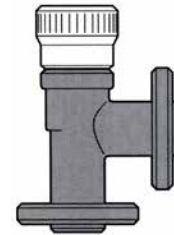
FCV Flow Control Valve

Optional Reverse Flow Check Seat



APV FCV Series Flow Control Valves are manually adjusted valves designed to provide repeatable settings. Available in 1 and 2-inch body sizes and a wide range of bodies and trim configurations, these valves feature an adjustable handwheel calibrated in sixty-fourths of an inch, and teflon packing for positive seal and maintenance. threaded connections are rated for Service up to 5000 PSI. They are designed to operate in any position and to resist the effects of vibration on the selected setting. Their construction allows easy inspections or replacement of internals without removing the valve from the line. Type 316, 410 or duplex stainless steel bodies, and stainless steel handles and indicator rings are available for corrosive service.

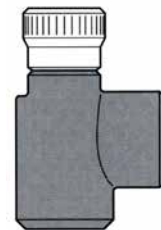
Valve trims and seats are available in 1/8, 1/4, 1/2, 3/4 and 1 inch trim sizes in stainless steel, hard chrome and tungsten carbide materials.



1-Inch Flanged Angle Body



2-Inch Through Body



2-Inch Thread Angle Body



FCVT High Temperature Flow Control Valve

APV FCVT High Temperature Flow Control Valves are designed for steam injection or other high temperature gas or liquid service. Rated at 3700 psi working pressure at 150°C, these angle body valves feature 1/4, 1/2, 3/4 and 1 inch size trim with stainless steel, hard chrome or tungsten carbide long throat trim and high temperature packing. The high temperature configuration is also available in adjustable choke valve model (ACVT-5). This valve series is also available with flanged end connections.

WFC SERIES WATERFLOOD CONTROL VALVES



APV WFC Waterflood Control Valves are designed specifically for waterflood applications. They are available in either 1 or 2-inch angle body configurations with threaded, buttweld or flanged connections. This design contains a long throat seat to control the turbulence and erosion associated with liquid service. Standard features of this valve include the adjustable hand wheel calibrated in sixty-fourths of an inch and teflon packing for positive seal and minimum maintenance. An optional feature is the availability of a secondary positive choke bean for high pressure differentials. This feature is designed for a 60% and 40% pressure drop across the primary and secondary controls respectively.

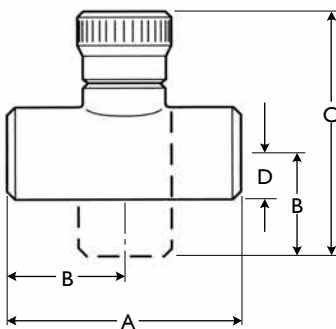
Stainless steel, hard chrome or tungsten carbide trims are available in 1/8, 1/4, 1/2, 3/4 and 1 inch trim sizes. The long throat seat, stainless steel handle and indicator ring are standard.



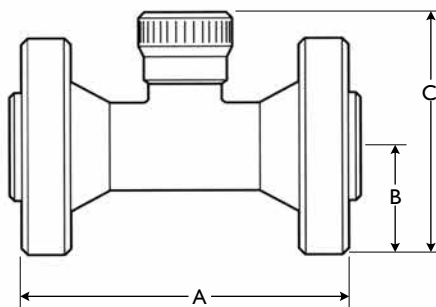
WFC Waterflood Valve

DIMENSIONAL DATA FOR FCV, WFC AND FCV-2X

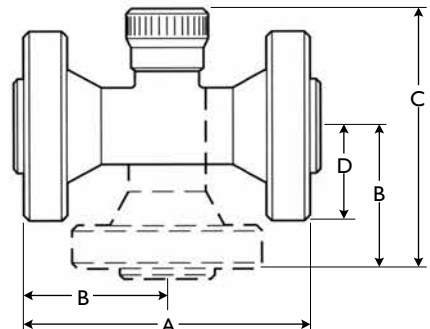
End Connections	Dimensions (inches)												Approximate Weight in Lbs.		
	A			B			C			D					
Type / Size	1	2	2x	1	2	2x	1	2	2x	1	2	2x	1	2	2x
Screwed	6.30	7.80		2.95	3.90		7.90	8.81		1.06	1.72		10	20	
Butt Weld	5.00	6.75		2.50	3.37		7.45	8.065		1.06	1.72		10	20	
Socket Weld	5.12	6.75		2.56	3.37		7.51	8.65		1.06	1.72		10	20	
Series 150 RF		9.00			4.50			9.78			3.00			32	
Series 300 RF		10.00		5.00				10.28			3.25			32	
Series 600 RF	8.50	11.50	11.50	4.25	5.75	5.75	9.20	11.03	9.65	2.44	3.25	3.25	18	40	34
Series 600 RJ	8.50	11.62	11.60	4.25	5.81	5.81	9.20	11.09	9.71	2.44	3.25	3.25	18	40	34
Series 1500 RF	10.00	14.50		5.00	7.25		9.95	12.53		2.94	4.25		30	70	
Series 1500 RJ	10.00	14.62		5.00	7.31		9.95	12.59		2.94	4.25		30	70	
Series 900 RF	10.00	14.50	14.50	5.00	7.25	7.25	9.95	12.53	11.25	2.94	4.25	4.25	30	70	
Series 900 RJ	10.00	14.62	14.62	5.00	7.31	7.31	9.95	12.59	11.21	2.94	4.25	4.25	30	70	90
API 3000		14.62			7.31			12.59			4.25			70	
API 5000		14.62			7.31			12.59			4.25			70	



FCV - WFC



FCV - FLANGED



FCV - 2X

OVERVIEW

MODEL M/HM & FC GATE VALVE OVERVIEW

APV API 6A Gate Valves are integral body, bi-directional, parallel sided gate valves that are available in solid slab with a floating seat (Model FC) where the sealing force supplied by line pressure, or in expanding self energised slab (Model R).

The Type 'M', 'HM' and 'FC' Gate Valves are proven designs that have been standard in the oil field for more than forty years. Because of APV's commitment to quality and the reliability of these standard designs, these valves can be maintained anywhere in the world, even in the most remote locations, without having to procure hard to find parts.

Available from 1-13/16" to 7-1/16" and from 2,000 psi to 15,000 PSI working pressures.

FEATURES AND BENEFITS

MINIMAL TORQUE Upper and lower bearings are used to minimize operating stem torque and are isolated from well fluids to increase durability.

BI-DIRECTIONAL SEALS The one piece, parallel sided (Model FC) slab gate seals on a floating seat. The sealing force is supplied by line pressure. The expanding type self energised slab (Model M/HM) seals on both seats.

METAL TO METAL STEM BACK SEAT The gate stem has a bevelled shoulder which allows for metal-to-metal sealing to the bonnet seat.

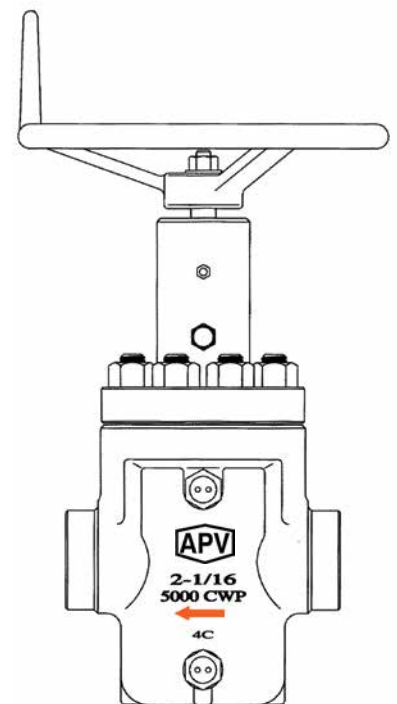
FULL THROUGH CONDUIT The full through conduit I.D. provides smooth flow with minimal turbulence as well as providing an unobstructed passage for well intervention tools.

REPLACEABLE GATE AND SEATS Gate and seats are field-replaceable.

RE-ENERGIZABLE STEM PACKING The Stem Packing can be re-energized by injection plastic sealant in between the packing stacks.

STEM PACKING REPLACEABLE WITH VALVE UNDER PRESSURE The bonnet stem to back-seat seal allows the stem packing to be replaced with the valve under pressure.

GREASE FITTING The valve body may be greased through the fitting provided in the valve Bonnet.

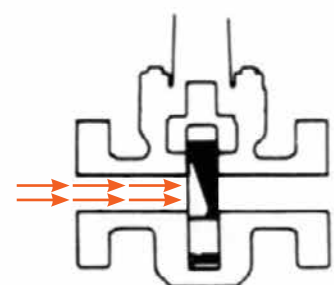
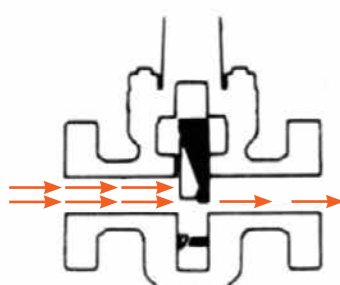
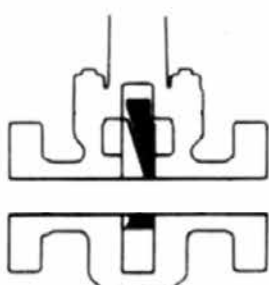


OPERATION

TO CLOSE THE VALVE rotate the handwheel clockwise, the gate will move downward to the bottom of the body, then rotate the handwheel counter-clockwise one half of a rotation to permit the gate movement under pressure. Do not "cheat".

TO OPEN THE VALVE rotate the handwheel counter-clockwise until the gate stops at the bonnet

TO CLOSE THE VALVE rotate the handwheel clockwise until the gate stops at the bottom.





API Spec 6A Gate Valves

MODEL M/HM GATE VALVE

FEATURES

FULL BORE THROUGH-CONDUIT

The through-conduit design of the model “M” and “HM” gives a full round bore. Destructive turbulence is eliminated.

SEALS WITHOUT LUBRICATION

Model “M” and “HM” gate valves do not require lubrication for positive sealing in normal operation. Lubrication can be employed as an emergency measure to help effect a temporary seal in the event the gate or seals have become damaged by foreign matter in the valve.

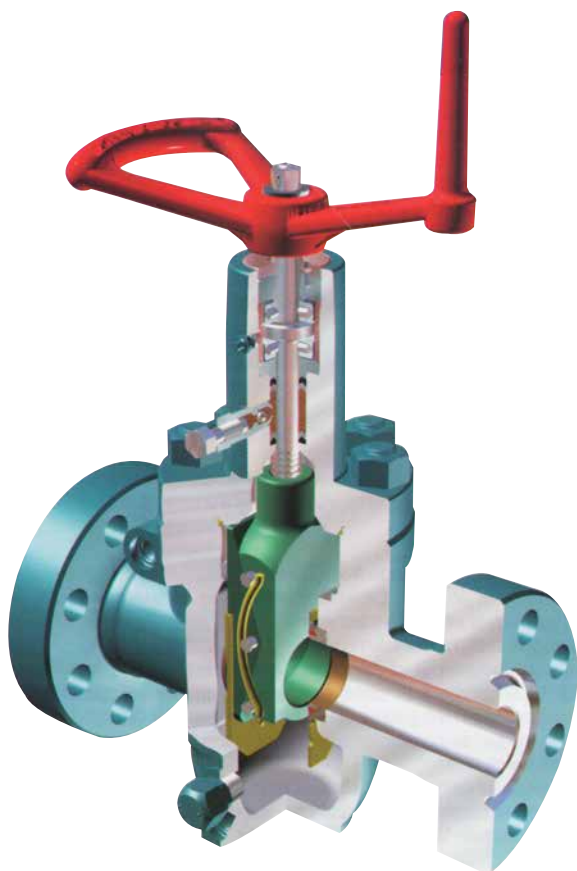
Two safety-capped grease fittings are provided so that the entire valve body can be filled with grease.

REPACKABLE UNDER PRESSURE

APV plastic stem packing can be added to the packing box while the valve is under pressure.

SEAT INSERTS GIVE DOUBLE SEAL

Seat inserts of PTFE (tetrafluoroethylene resin) give an initial PTFE-to-metal seal in addition to the metal-to-metal seal which is obtained when the gate assembly is fully expanded. All metal to metal stellite faced seating also available.



TRIM CHART

Application	*H2S	**CO2	Fluid Class
General Service (A) Non Corrosive	<0.05	<7	AA
General Service (B) Slightly corrosive (Low CO2)	<0.05	7 to 30	BB
General Service (C) Moderately to highly corrosive (High CO2)	<0.05	>30	CC
Sour Service (D) Meets Nace MR-0175 H2S	>0.05	<7	DD
Sour Service (E) Slightly corrosive H2S (Low CO2)	>0.05	7 to 30	EE
Sour Service mod. (H) to highly corrosive (High CO2 + H2S)	>0.05	>30	FF
Sour Service mod. to highly corrosive and chlorides (High H2S high CO2)	>0.05	>30	HH

* Hydrogen sulphide partial pressure (in psi a) as defined by NACE MR - 01 - 75

** Partial pressure of carbon dioxide (in psi a).

Formula: Partial pressure (PP) = well pressure (psi) X percent of constituent in total well fluid X 1/100

Example: CO2 PP= 3000 psi X 4% x 1/100 = 120 psi*

Material must be chosen to resist CO2 weight loss corrosion.

MODEL M & HM

RUGGED & DEPENDABLE PROVEN DESIGN

The APV API 6A valve is designed for the primary control of high pressure gas and fluid. The valve is a through-conduit type allowing positive closure of the full bore. In both the open/close positions the expanding gate is forced into contact with the seats by the wedging force derived from the design of the gate.

The gate assembly design is a two-piece design with the stem to gate interface on the gate major segment sub-assembly. The gate assembly is bored with the port size, and milled with the "V" surface to accommodate the minor segment sub-assembly.

The gate assembly design uses the "V" to force the two segments out and into contact with the seats as shown in the illustration. The lateral travel generated with this design promotes a complete seal between the seat and gate. This feature promotes the use of this valve in all pressure ranges when a positive seal is required with no pressure assisting the closure.

FIELD PROVEN DESIGN FEATURES

INTEGRAL CAST STEEL BODY of the valve meets or exceeds the API Standard 6A and NACE MR-01-75 requirements. Forged body also available.

BONNET on the valve uses standard field service tools for valve maintenance.

EXTERNAL GREASE FITTING to ensure easy access for lubrication.

COATED STEMS for reduced friction.

High Efficiency Thrust Bearings are used to reduce torque to a minimum.

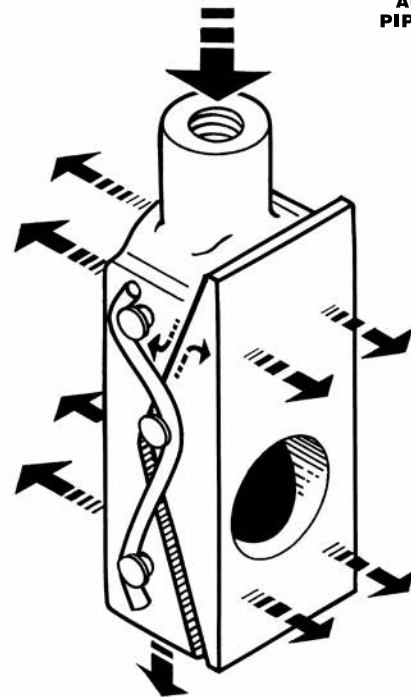
SECONDARY PLASTIC packing injection port for emergency pack-off.

AUXILIARY OPERATORS are easily installed.

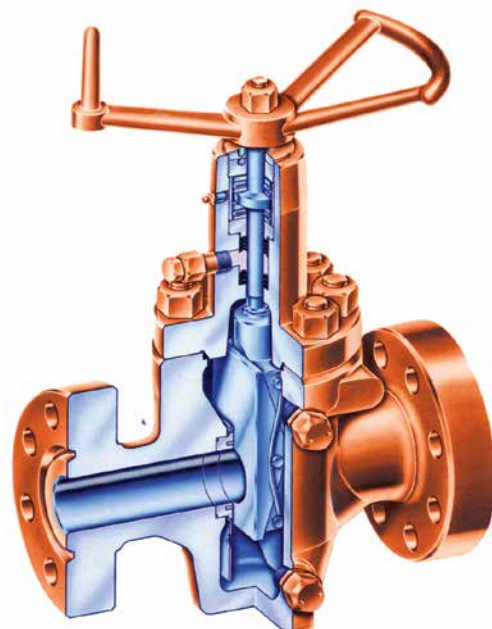
EXPANDING GATE ASSEMBLY ensures a positive seal. The M and HM series valve offer a dual sealing design with an elastomeric low pressure seal in addition to metal-to-metal high pressure sealing. All metal to metal stellite faced seating also available. Floating seated style with pressure energised solid slab is also available (Type FC).

SEAT design eliminates the seat from being displaced from the pocket by high pressure. The seats are field replaceable without moving the valves from the tree.

TRIMS AVAILABLE for eight standard service environments. Special trims are available on request from APV to meet the most demanding environments.



CONCEPT OF EXPANDING GATE (MODEL M)
(Solid Floating Gate also Available type FC)

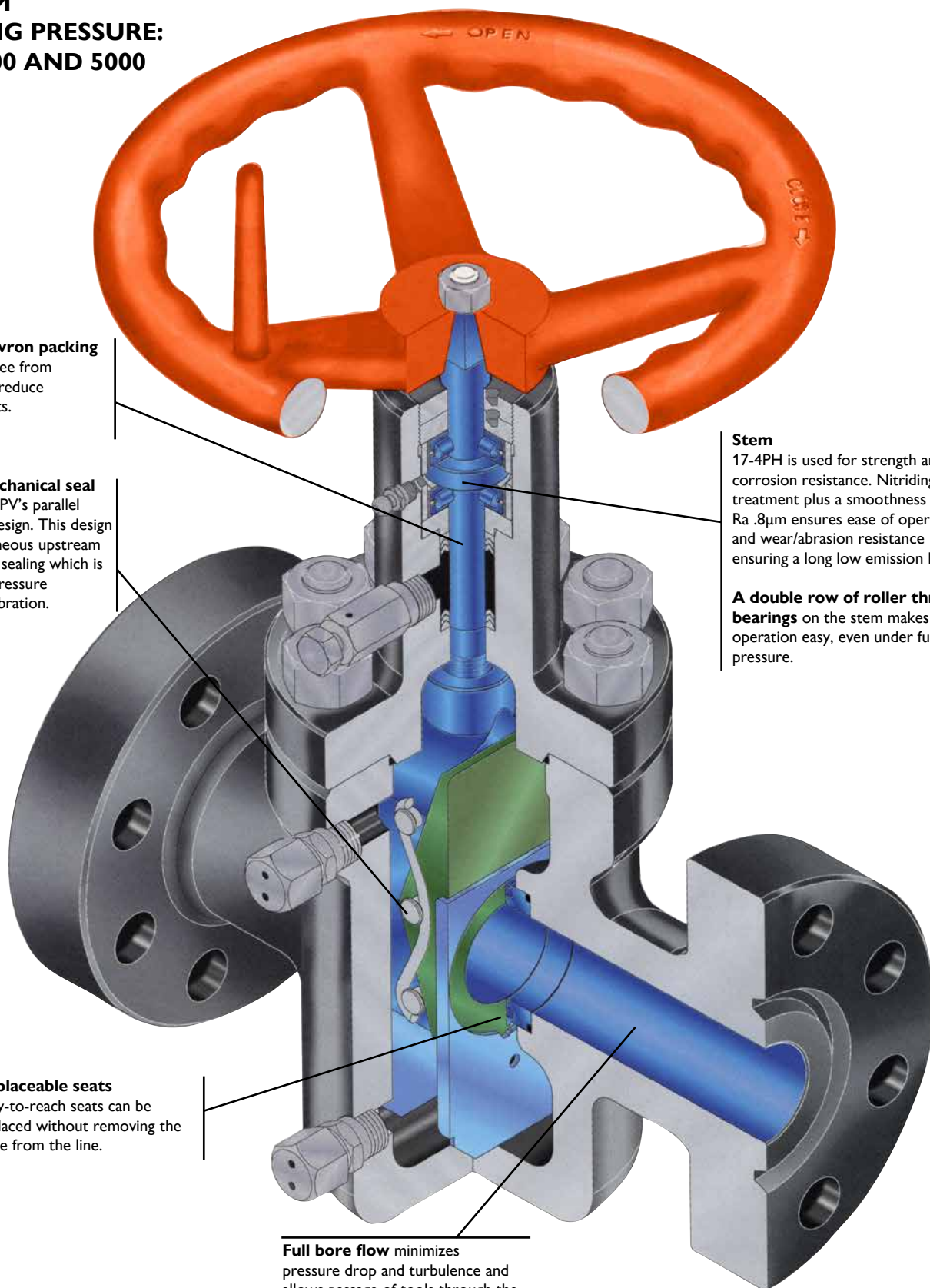


MODEL M



EXPANDING SEAL

MODEL M
WORKING PRESSURE:
2000, 3000 AND 5000
PSI



Reinforced chevron packing stays clean and free from contaminants to reduce maintenance costs.

Dead-tight mechanical seal is assured with APV's parallel expanding gate design. This design provides simultaneous upstream and downstream sealing which is not affected by pressure fluctuations or vibration.

Stem
17-4PH is used for strength and corrosion resistance. Nitriding treatment plus a smoothness of Ra .8µm ensures ease of operation and wear/abrasion resistance ensuring a long low emission life.

A double row of roller thrust bearings on the stem makes operation easy, even under full pressure.

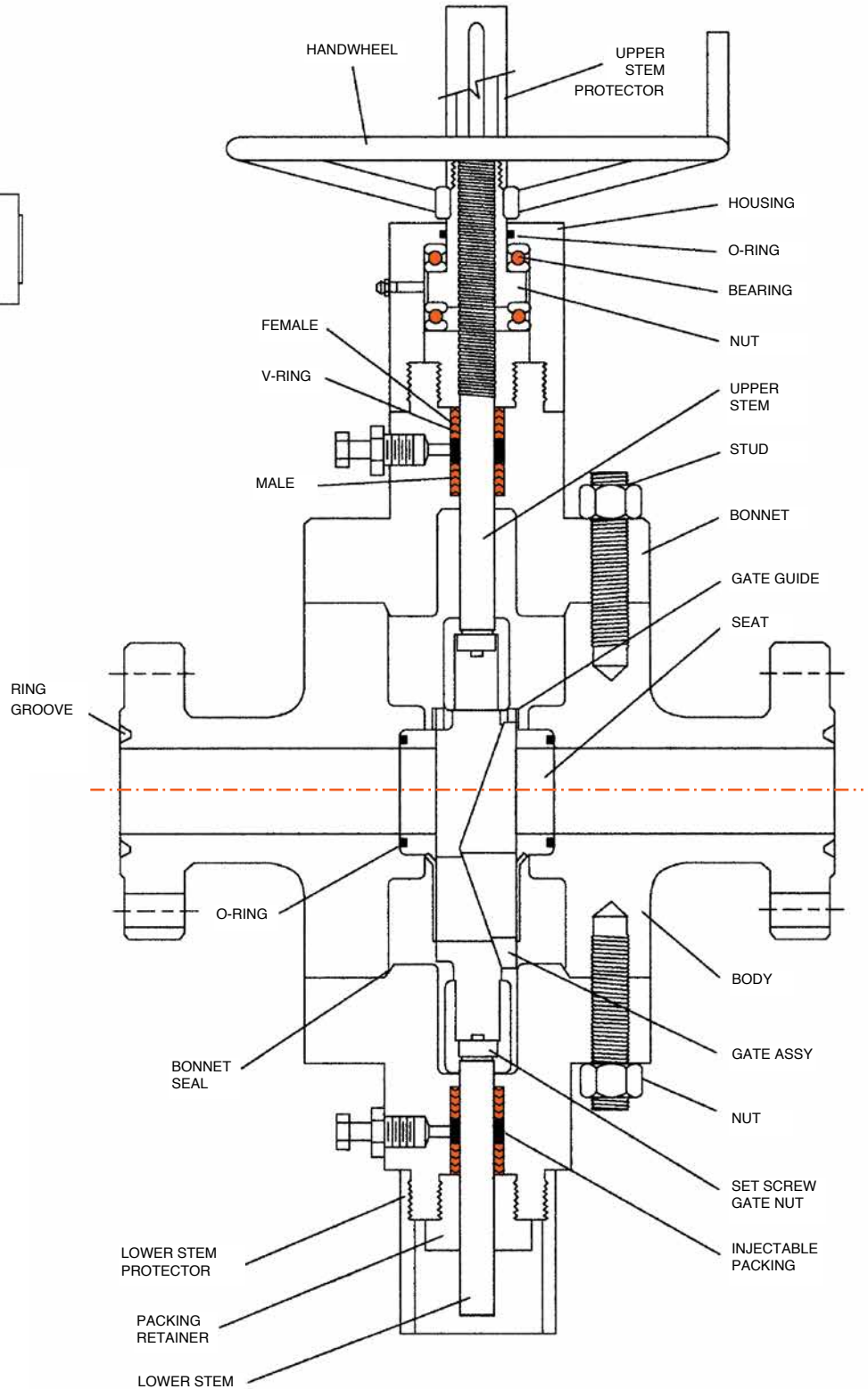
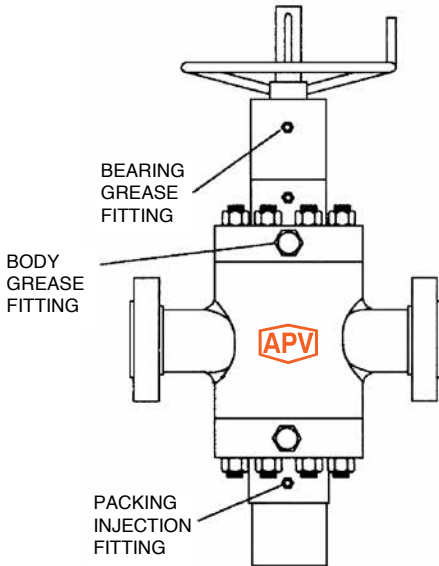
Replaceable seats
Easy-to-reach seats can be replaced without removing the valve from the line.

Full bore flow minimizes pressure drop and turbulence and allows passage of tools through the valve.

API 6A GATE VALVES

3

MODEL HM WORKING PRESSURE: 10,000 AND 15,000PSI

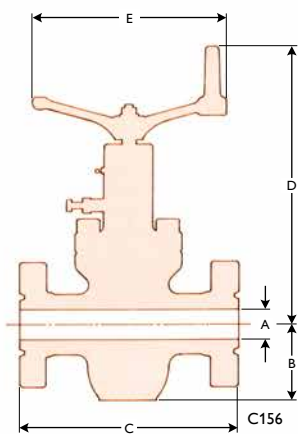


API 6A GATE VALVES

3



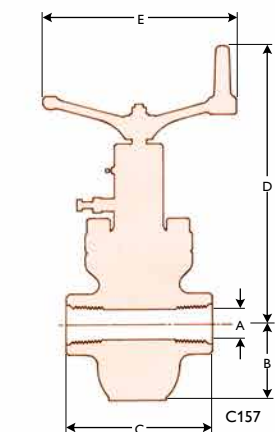
DIMENSIONS MODEL M AND FC API GATE VALVE



FLANGED END VALVES 2000, 3000, 5000 PSI MODEL M AND FC

Size	Working Pressure	A	B	C	D	E	N*	Weight lbs	Weight kgs
2 1/8"	2000 3000, 5000	2 1/8	4 13/16 5 1/8	11 1/8 14 3/8	19 1/4 19 1/8	11 13	13	91 150	41 68
2 3/8"	2000 3000, 5000	2 3/8	5 5/8 5 13/16	13 3/8 16 1/8	20 3/8 20 1/8	13 16	15 1/2	125 205	57 93
3 1/8"	2000 3000 5000	3 1/8-3 3/8	6 15/16 7 7/16 7 1/8	14 3/8 17 1/8 18 3/8	22 1/2 22 3/4 22 3/4	13 16 16	20	181 265 296	82 120 134
4 1/8"	2000 3000 5000	4 1/8	8 3/8 9 1/8 9 1/8	17 1/8 20 1/8 21 1/8	25 13/16 26 3/8 26 3/8	16 20 20	24 1/2	345 515 530	156 234 240

*Number of turns to open.

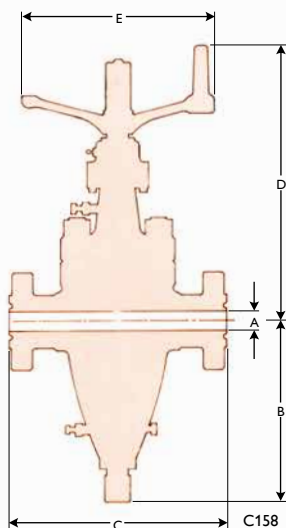


THREADED VALVES 2000, 3000, 5000 PSI WP MODEL M AND FC

Size	Working Pressure	A	B	C	D	E	N*	Weight lbs	Weight kgs
2 1/8"	2000 3000, 5000	2 1/8	4 13/16 5 1/8	6 3/8	19 1/4 19 1/8	11 13	13	91 150	41 68
2 3/8"	2000 3000, 5000	2 3/8	5 5/8 5 13/16	10 1/4	20 3/8 20 1/8	13 16	15 1/2	125 205	57 93
3 1/8"	2000 3000, 5000	3 1/8-3 3/8	6 15/16 7 7/16	11 1/8	22 1/2 22 3/4	13 16 16	20	181 265 296	82 120 134
4 1/8"	2000 3000, 5000	4 1/8	8 3/8 9 1/8	13	25 13/16 26 3/8	16 20 20	24 1/2	345 515 530	156 234 240

*Number of turns to open.

MODEL HM API GATE VALVE



FLANGED END VALVES 10000 PSI WP MODEL HM

Size	A	B	C	D	E	N*	Weight lbs	Weight kgs
1 3/8"	1 3/8	14 3/8	18 3/4	21 1/4	14	14	275	125
2 1/8"	2 1/8	16	20 1/2	23 3/4	18	12	545	247
2 3/8"	2 3/8	19	22 1/4	26 1/2	20	15	565	256
3 1/8"	3 1/8	21 1/4	24 3/8	29 1/2	24		900	408
4 1/8"	4 1/8	27 1/2	26 3/8	36 3/4	26	23	1080	490

*Number of turns to open.

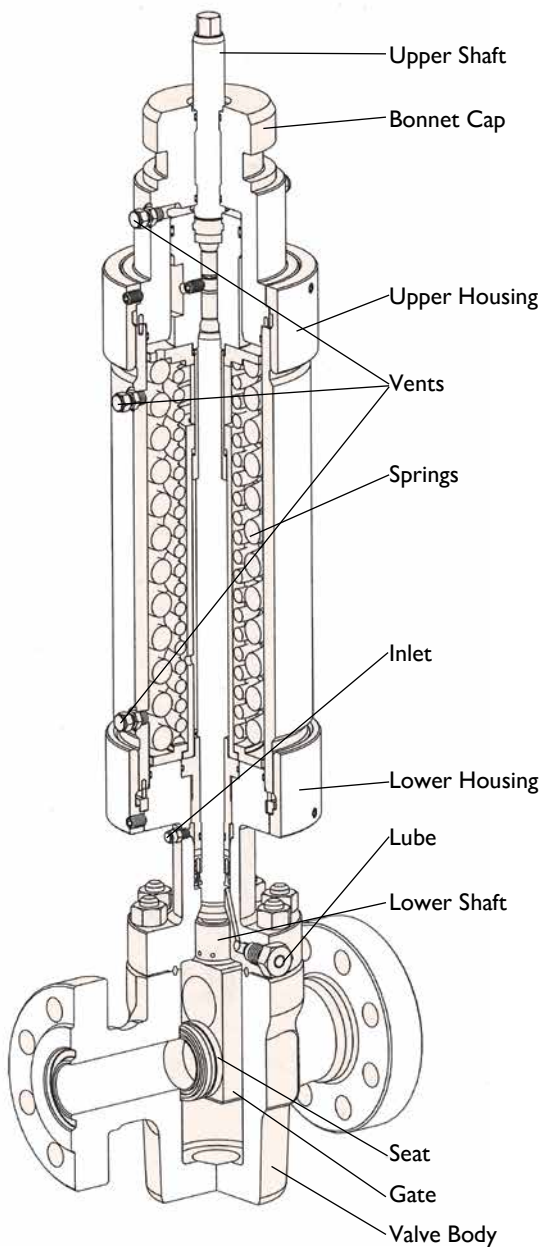
FLANGED END VALVES 15000 PSI WP MODEL HM

Size	A	B	C	D	E	N*	Weight lbs	Weight kgs
1 3/8"	1 3/8	14 1/2	18 3/4	21 1/2	12	12	280	127
2 1/8"	2 1/8	16	20 1/2	23	18	14	490	222
2 3/8"	2 3/8	19	22 1/4	25	20	15	570	259
3 1/8"	3 1/8	21	24 3/8	29	23	18	850	386
4 1/8"	4 1/8	26	26 3/8	36	26	23	1080	490

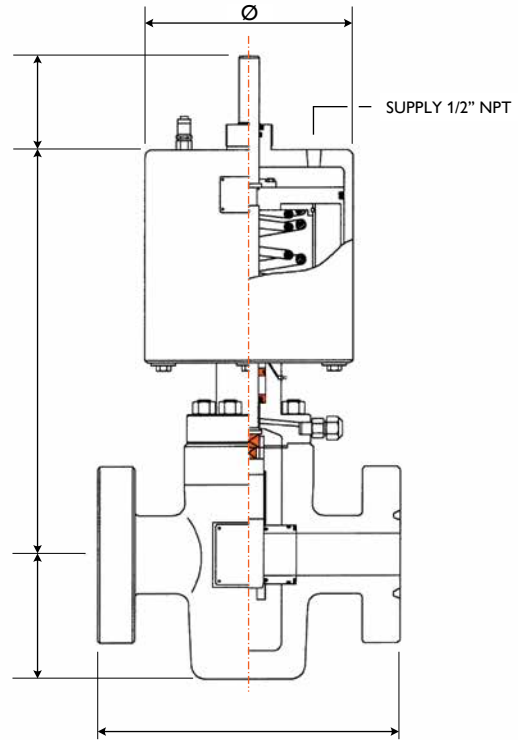


HYDRAULIC ACTUATED SLAB GATE VALVE (SSV)

The SSV Gate Valve Actuator operates with hydraulic pressure. Pressure is applied to the top of the piston. This process is designed to open a normally closed (reverse) gate valve, or close a normally open gate valve.



SDV-ASSY PNEUMATIC ACTUATED GATE VALVE 3000-10,000 PSI



TECHNICAL DATA

SIZE 1 13/16" - 7 1/16" API 6A

VALVE SERIES M 30SL

ACTUATOR TYPE OFS/PN-29SLA

VALVE ACTION SDV-SSV (Fail Safe Close) BI-DIRECTIONAL

ASSEMBLY No 94176 for SDV-SSV

BORE 79.3 mm.

CYLINDER PRESSURE RATING Up to 250 PSI

CONTROL PRESSURE (Bar) (0.03 x Valve Pressure) + 1

WEIGHT Kg.



Position Indicator/Limit Switch



Manual Override - Fuseable



Manual Override



Fusible Lock Open Device



Lock Open Cap



API 6A MUD GATE VALVE X-DM



PRODUCT DESCRIPTION

The Mud Gate Valve, with superior design features and precision workmanship is proven to meet the harsh drilling requirements in today's oilfields.

The Valve conforms to the standard dimensions and pressure rating of 3000 and 5000 PSI working pressure, and temperature service up to 400°F.

The Valve standard trim includes 316SS, Gates 316SS Stems and Buna N seats, optional trims are available which include Ni Plated, Carbon Steel, Monel and Aluminium Bronze gates. Seats are offered in Viton and Hypalon and optional 303SS Stem is available.

CONSTRUCTION

All the Valves conform to API flange specification in all pressure class ratings. The valves have rising stems that are driven by a double threaded hub for quick opening and closing with minimum turning effort. The permanently lubricated stems and stem screws are a fully sealed assembly consisting of homogenous and fabric backed rings for high and low pressure sealing.

APPLICATION FOR THE MUD GATE VALVE

Mud pump lines and Standpipe manifolds, Oil and gas pipelines, Sour gas and crude oil, Corrosive water flood lines, Cementing services, Wellheads, Well treating chemicals.

PARTS INTERCHANGE

Our X-DM parts are fully interchangeable.

END CONNECTIONS

Available in Buttweld, NPT female, hammer union ends, flanged, male threaded etc.



MUD GATE VALVE

3



API 6A MUD GATE VALVE X-DM



APPLICATION

- Drilling and well-treating chemicals
- Sour gas and crude oil
- Abrasive drilling mud
- Pipelines and manifolds
- Wellheads
- Water, oil and gas lines
- Cements and slurries
- Corrosive water flood lines
- Up to 5000 PSI and 400°F services



SEAT ELASTOMERS

Buna N (nitrile) is the basic seat elastomer. It is excellent for petroleum oil and gases, fueled oils and alcohols from -10°F to +200°F. **Hypalon** is optionally offered compounded for maximum chemical resistance, particularly suited for oxidizing acids, it resists hydrocarbon oils and fuels from -10°F to +250°F. **Viton** is highly resistant to mineral acids and hydrocarbons and resists moderate concentrations of hydrogen sulphide. Serviceable from -10°F to +400°F (Not suitable for steam)

PLASTIC COATINGS

Internally plastic-coated valve bodies and bonnet are available on request.

TESTING

Mud Gate Valves are hydrostatically tested. Stem seal, body and seat are inspected for zero leakage under pressure, before acceptance.

WELD END DIMENSIONS

Weld End bodies are machined at each end to match the corresponding pipe OD and ID.

NOMINAL SIZE in.	(mm)	OD	ID			
			Sch. 40	Sch. 80	Sch. 160	XXH
1½	(40)	1.900	1.610	1.500	-	-
2	(50)	2.375	2.067	1.939	1.687	1.503
2½	(65)	2.875	2.469	2.323	2.125	1.771
3	(80)	3.500	3.068	2.900	2.624	2.300
4	(100)	4.500	4.026	3.826	3.438	3.152
5	(125)	5.563	-	4.813	4.313	4.063
6	(150)	6.625	6.065	5.761	5.187	4.897

PRESSURE RATINGS OF VALVE

CLASS 400	CLASS 600	CLASS 900	CLASS 1500	1000 WP	2000 WP	3000 WP	5000 WP	7500 WP
900 WVP	1480 WVP	2220 WVP	3705 WVP	1000 WVP	2000 WVP	3000 WVP	5000 WVP	7500 WVP
1500 Test	2225 Test	3350 Test	5575 Test	2000 Test	4000 Test	6000 Test	7500 Test*	11,250 Test

* 3 inch & below are tested to 10,000 psi, 4" & above 7500 psi except on special orders.

Valve rating must be selected to match the piping system in which the valve will be installed.

Shown below are working pressures at 100°F for ASTM A106 Grade B and AISI 4130 60K minimum yield pipe in sizes corresponding to APV Gate Valves.

PRESSURE RATINGS OF PIPE

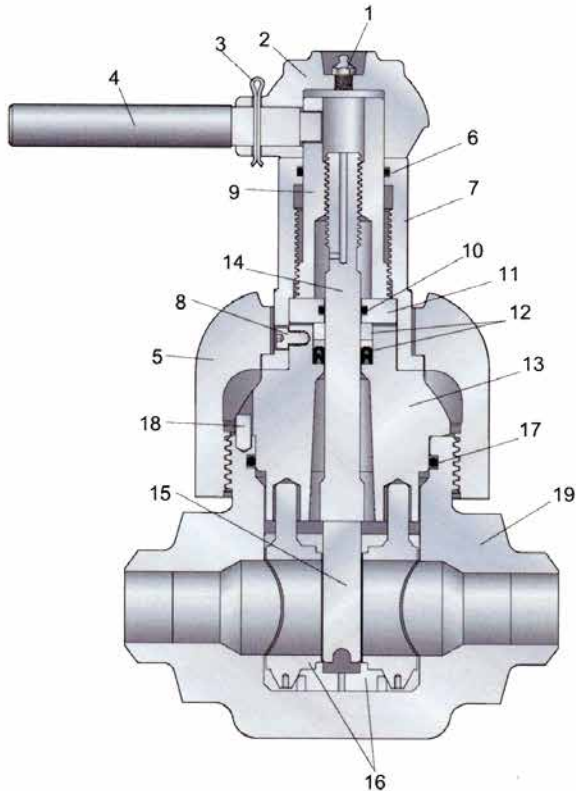
SIZE in.	(mm)	ASTM A106 GRADE B				4130 60K Min Yield XXH
		Sch. 40	Sch. 80	Sch. 160	XXH	
1½	(40)	1340	2430	-	-	-
2	(50)	1210	2220	4300	5970	10234
2½	(65)	1620	2590	3950	6590	-
3	(80)	1460	2370	3930	5880	10080
4	(100)	1300	2130	3830	5150	8826
5	(125)	-	1970	3730	4650	7971
6	(150)	1110	1970	3650	4724	8098
8	(200)	1030	1790	-	-	-

MUD GATE VALVE

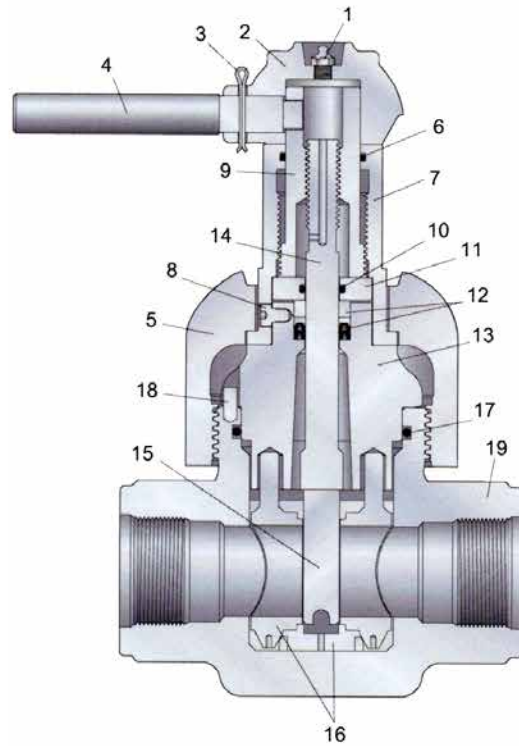
3



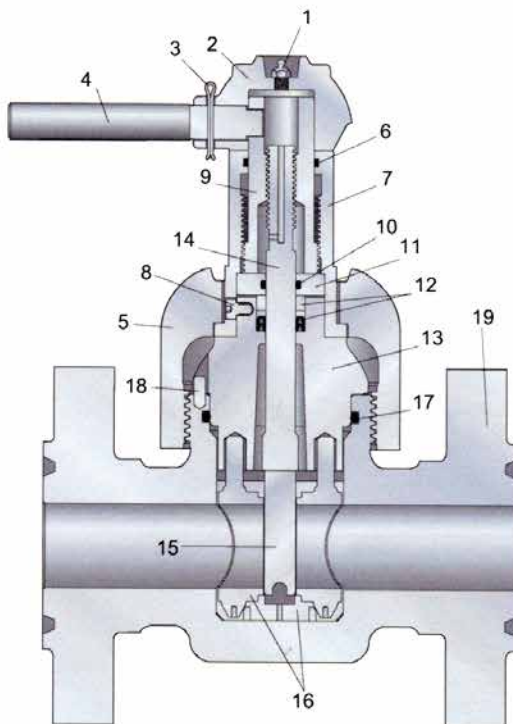
API 6A MUD GATE VALVE X-DM 2" 2000, 3000 & 5000 PSI



Butt Weld End



Screwed End



RTJ Flanged

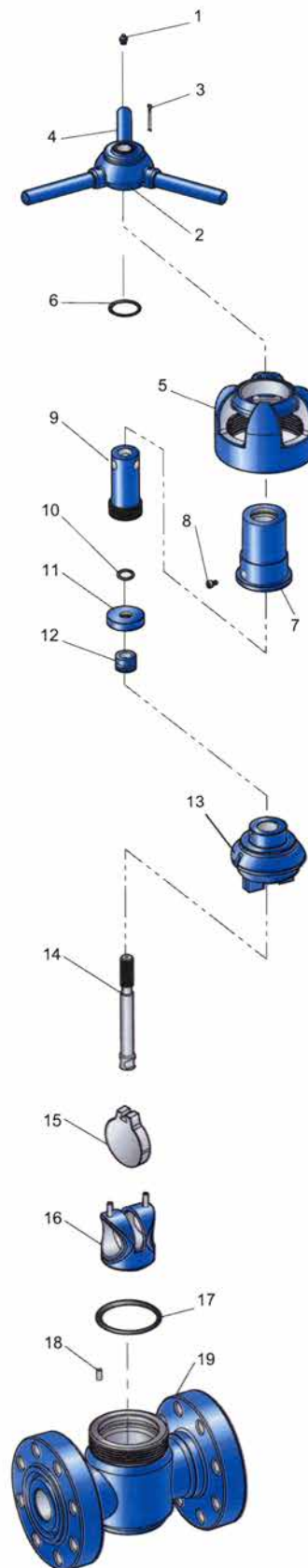


API 6A MUD GATE VALVE X-DM

BILL OF MATERIAL 2" - 2000, 3000 & 5000 WP

Item No.	Description	
1	Lube Fitting	Steel
2	Hub Assembly	Steel
3	Pin, Lock Handle	Steel
4	Lock Handle	Steel
5	Coupling	WCB Steel
6	Stem Screw Seal	70 D Buna-N 75 D Viton
7	Screw Housing	Steel
8	Lock Screw	Steel
9	Stem Screw	Steel
10	Secondary Seal	90 D Buna-N 90 D Viton
11	Retainer	Steel
12	Stem Seal Assembly (includes bronze bushing)	90 D Buna-N 90 D Viton
13	Bonnet (A487 Steel)	4130 1029
14	Stem 316SS	316SS or 410SS
15	Gate 316SS	316SS or 410SS
16	Seat Steel	90 D Buna-N
	Seat 316SS or 410SS	70 D Buna-N 90 D Viton
17	Bonnet Seal	90 D Buna-N 90 D Viton
18	Index Pin	Steel
19	Body Screwed End	LP (NPT) EUE
	Flanged End	RTJ
	Weld End	Sch 80 Sch XXH Sch 160

Example only, parts and materials can vary according to specified trim, pressure and model variations. Refer to as-built drawing for each pressure class.

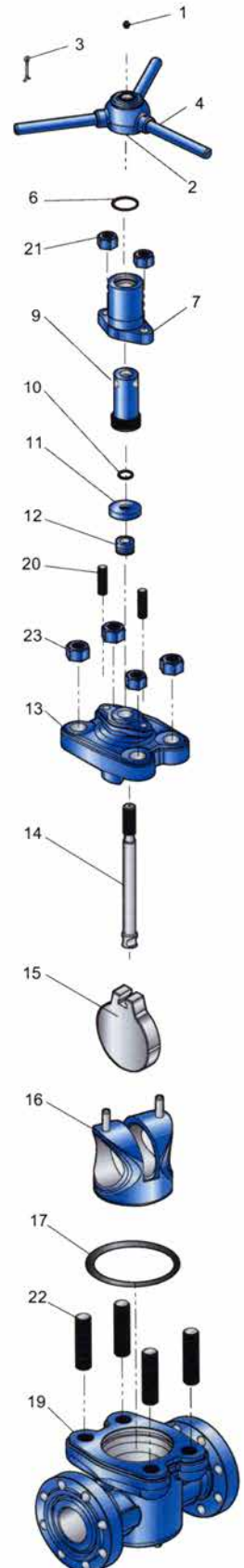


API 6A MUD GATE VALVE X-DM

BILL OF MATERIAL 3" AND 4" - 3000 & 5000 WP

Item No.	Description	
1	Lube Fitting	Steel
2	Hub Assembly	Steel
3	Pin, Lock Handle	Steel
4	Lock Handle	Steel
6	Stem Screw Seal	Buna-N Viton
7	Screw Housing	Steel
9	Stem Screw	Steel
10	Secondary Seal	Buna-N Viton
11	Retainer	Steel
12	Stem Seal Assembly (includes bronze bushing)	90 D Viton
13	Bonnet	A-487 Steel
14	Stem	316SS or 410SS
15	Gate	316SS or 410SS
16	Seat Steel	70 D Buna-N
	Seat 316SS or 410SS	70 D Buna-N 90 D Viton
17	Bonnet Seal	Buna-N Viton
19	Body Screwed End	LP (NPT) NUE EUE
	Flanged End	RTJ
	Weld End	Sch 80 Sch XXH Sch 160
20	Bonnet Stud (2) A-320-L7 or B7	Each
21	Bonnet Stud Nut (2) A-320-L7 or 2H	Each
22	Body Stud (4 Required) A-320-L7 or B7	Each
23	Body Stud Nut (4) A-320-L7 or 2H	Each

Example only, parts can vary according to specified trim on different sizes. Refer to as-built drawing.
For 4" 3000 and 5000 consult as-built drawing as design is slightly different.



MUD GATE VALVE

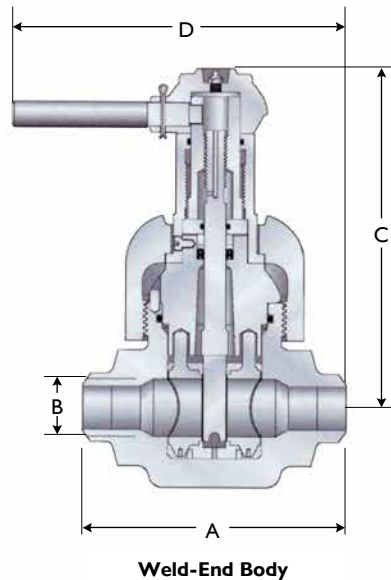
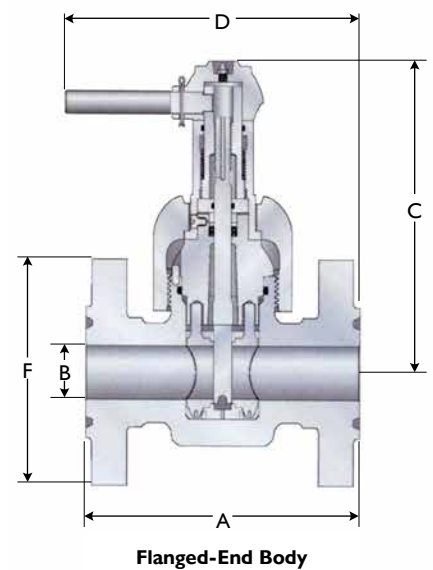
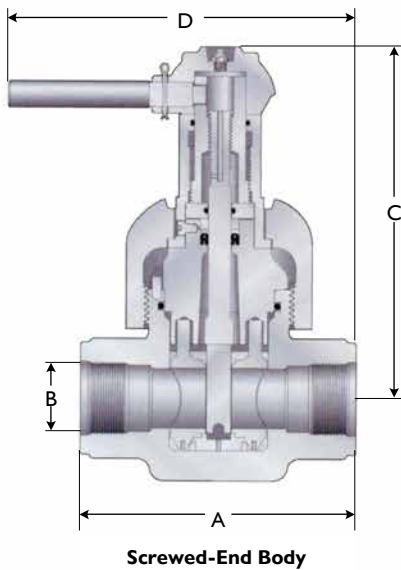
3



API 6A MUD GATE VALVE X-DM

DIMENSIONS - 2000, 3000 AND 5000 WP

Pressure Rating		2000 WP (4,000 PSI Test)			3000 WP (6,000 PSI Test)			5000 WP (10,000 PSI Test)				
		2	3	4	2	3	4 4 ¹ / ₁₆	2	3	4 4 ¹ / ₁₆	5 x 4	6 x 4
Size		in	in	in	in	in	in	in	in	in	in	in
A	Screwed End	9	11	13	9	11	13	9	11	13	13	N/A
	Weld End	9	11	13	9	11	13	9	11	13	13	13
	Flanged End	11 ¹ / ₂	14 ¹ / ₂	16 ¹ / ₂	11 ¹ / ₂	14 ¹ / ₂	16 ¹ / ₂	12 ¹ / ₂	15 ¹ / ₂	18	29	N/A
B	(Bore)	2	3	4	2	3	4	2	3	4	4	4
C	(Open)	13	18	21 ¹ / ₄	13	18	21 ¹ / ₄	13	18	24 ¹ / ₂	24 ¹ / ₂	24 ¹ / ₂
D	(Handle)	14	19	23	14	19	23	14	19	23	23	23
F	(Flange Diameter)	6 ¹ / ₂	8 ¹ / ₄	10 ¹ / ₄	8 ¹ / ₂	9 ¹ / ₂	11 ¹ / ₂	8 ¹ / ₂	10 ¹ / ₂	12 ¹ / ₄	14 ¹ / ₄	N/A
	Flange Bolts (Qty)	(8)	(8)	(8)	(8)	(8)	(8)	(8)	(8)	(8)	(8)	N/A
	Size	³ / ₈	¹ / ₄	¹ / ₂	³ / ₈	¹ / ₂	1 ¹ / ₂	³ / ₈	1 ¹ / ₄	1 ¹ / ₂	1 ¹ / ₂	N/A
	Ring No. (RTJ)	R23	R31	R37	R24	R31	R37	R24	R35	R39	R44	N/A



SWING CHECK VALVE

3

SWING CHECK NPT SCREWED END - BOLTED BONNET TO 5000 PSI

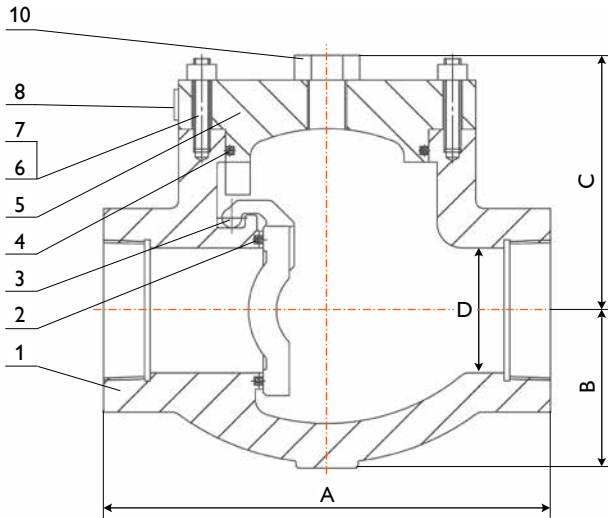


FIG. NO. APSCF01



SPECIFICATION

Design API 6D / API 6A
Ends NPT/LP
Face to Face B16.10 / API 6A
 Nace MR-01-75
 Screwed Bonnet also available.

- Body (1)** ASTM A216 Gr. WCB / A351 CF8M
 - Cover (5)** ASTM A216 Gr. WCB / A351 CF8M
 - Disk, Arm (3) and Pin** ASTM A351 Gr. CF8M or A216 Gr. WCB + 410SS
 - Bushings** 316SS/CR13 SS
 - Disc Seal (2)** Viton/F6/CPTFE/PEEK
 - Cover Seal (4)** Buna-N/Viton/Spiral Wound
 - Cover Stud (6)** ASTM A193 Gr. B7 / 38M
 - Cover Nut (7)** ASTM A194 Gr. 2H / Gr. 8
 - Plug (10)** ASTM A105 / 316
 - Name Plate (8)** Aluminium
- Note** Material specifications conform to latest edition of NACE MR-0175

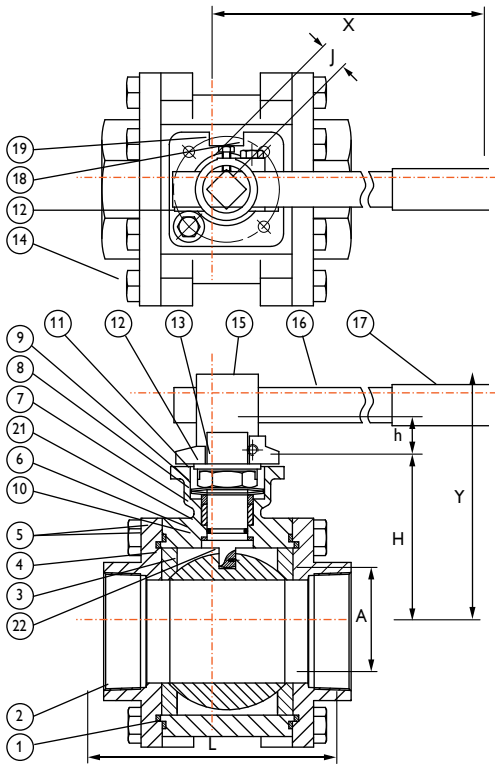
DIMENSIONS (inch)

NOMINAL SIZE	MOP (PSI)	A	B	C	D (NOMINAL)
2 NPT	1000	9	2 $\frac{3}{8}$	4 $\frac{1}{2}$	2
3 NPT		10 $\frac{1}{4}$	3	5 $\frac{1}{8}$	3
4 NPT		12	3 $\frac{3}{8}$	6 $\frac{1}{8}$	4
2 NPT	1500	9	2 $\frac{3}{8}$	4 $\frac{1}{2}$	2
3 NPT		10 $\frac{1}{4}$	3	5 $\frac{1}{8}$	3
4 NPT		12	3 $\frac{3}{8}$	6 $\frac{1}{8}$	4
2 NPT	2000	9	2 $\frac{3}{8}$	4 $\frac{1}{2}$	2
3 NPT		10 $\frac{1}{4}$	3	5 $\frac{1}{8}$	3
4 NPT		12	3 $\frac{3}{8}$	6 $\frac{1}{8}$	4
2 NPT	3000	9	2 $\frac{3}{8}$	4 $\frac{1}{2}$	2
3 NPT		10 $\frac{1}{4}$	3	5 $\frac{1}{8}$	3
4 NPT		12	3 $\frac{3}{8}$	6 $\frac{1}{8}$	4
2 NPT	4000	9	2 $\frac{3}{8}$	4 $\frac{1}{2}$	2
2 NPT	5000	9	2 $\frac{3}{8}$	4 $\frac{1}{2}$	2

BALL VALVES

3

BALL VALVE 1500 & 2000 PSI BV100 SERIES



API 6FA 3rd Edition
API 607 5th
ISO 10497



ISO 15848-1
Endurance Test Certified

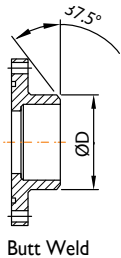


MATERIALS LIST

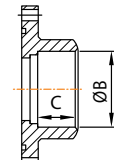
NO.	PART NAME	STAINLESS STEEL	CARBON STEEL
1	Body	ASTM A351 CF8M	ASTM A216 WCB
2	End Cap	ASTM A351 CF8M	ASTM A216 WCB
3	Ball	ASTM A351 CF8M/316	ASTM A351 CF8M/316
4	Seats	R-TFE	
5-1	Body Gasket - Outer	Graphite	
5-2	Body Gasket - Inner	PTFE	
6-1	Thrust Washer	Graphite	
6-2		PTFE	
7	Stem Packing	Graphite	
8	Gland	AISI 304	
9	Belleville Washer	AISI 301	
10	Stem	ASTM A276 316	ASTM A276 304
11	Gland Nut	AISI 304	
12	Lock Clip	AISI 304	
13	Flat Washer	AISI 304	
14	Body Bolt	ASTM A193 B8	ASTM A193 B7
15	Handle	ASTM A351 CF8	Carbon Steel
16	Steel Pipe	AISI 304	Carbon Steel
17	Sleeve	Vinyl Plastisol	
18	Fixing Screw (Pipe)	AISI 304	Carbon Steel
19	Fixing Screw (Stem)	AISI 304	Carbon Steel
20	Stop Pin	AISI 304	Carbon Steel
21	Stem O-Ring	Viton / NBR	
22	Antistatic Device	AISI 316	

FEATURES

- Full Port DN 65NB~100NB (2 1/2" - 4")
- 2000PSI (13780 kPa) 65NB~80NB
1500PSI (10335 kPa) 100NB
- Firesafe Certified
- Long life for Actuated Valve Applications
- Belleville Washer Set for Automatic Compression of Stem Sealing
- Direct Mount Pad (ISO 5211)
- Precision Investment Heavy 3 Piece Cast Body
- Blow-Out Proof Stem
- Available in Carbon Steel or Stainless Steel
- Various End Connections Available (NPT, ISO 7/1, ISO 228/1, BSP, DIN 2999, DIN 259, etc.)



Butt Weld



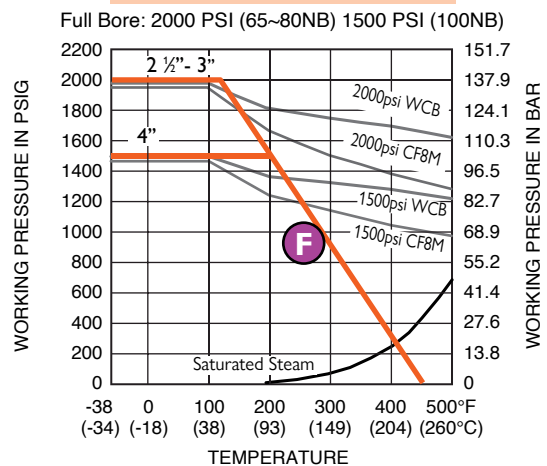
Socket Weld

DIMENSIONS, WEIGHT & TORQUE

SIZE		A	h	H	L	J	X	Y	ØB	ØD	C	ISO 5211	WEIGHTS KG	TORQUE NM
IN	DN													
2 1/2"	65	65	24	116.5	185	22	460	173	73.9	76.3	17	F07-F10	13.4	85
3"	80	80	24	127.0	205	22	460	184	89.8	89.1	17	F07-F10	21.0	96
4"	100	100	29	159.0	240	27	600	242	115.2	114.3	20	F10	34.4	185

P-T RATINGS

F TM4215



BALL VALVES

3

BALL VALVE CLASS 600/800 High Cycle FS660 SERIES



AUSTRALIAN PIPELINE VALVE®

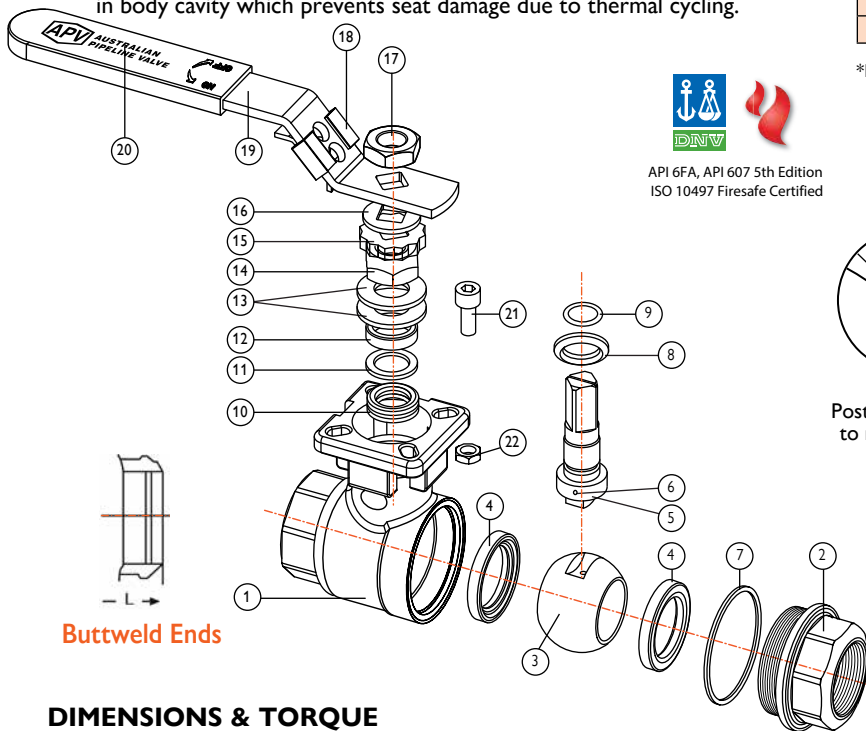
FEATURES

- 2000PSI (13790 kPa) 8~25NB.
1500PSI (10342 kPa) 32~80NB.
- Full Port DN 8NB~80NB (1/4" - 3").
- Longlife for Actuated Valve Applications.
- Belleville Washer Set for Automatic Compression of Stem Sealing.
- Blow-Out Proof Stem.
- Graphite Gasket & Stem Packing Prevents Post-fire External Leakage.
- Tested according to API 598.
- Direct Mount Pad (ISO 5211).
- TA Luft Fugitive Emission Compliant.
- Precision Investment Heavy 2 Piece Cast Body.
- Available in Carbon Steel or Stainless Steel.
- Casting Approved by TUV AD 2000-Merkblatt W0.
- Various End Connections Available (NPT, ISO 7/1, ISO 228/1, BSP, DIN 2999, DIN 259, etc.).
- Basic design complies with ANSI B16.34 & MSS SP-110.
- Ball includes Pressure Equalisation Hole to prevent trapped pressure in body cavity which prevents seat damage due to thermal cycling.



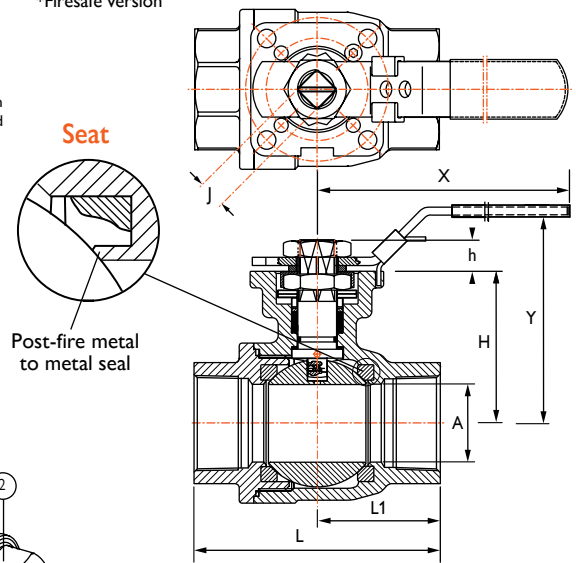
MATERIALS LIST

NO.	PART NAME	Quantity	MATERIAL
1	Body	1	WCB/CF8M
2	End Cap	1	WCB/CF8M
3	Ball	1	316/CF8M
4	Ball Seat	2	PTFE/TFM1600/TFM4215
5	Stem	1	SUS316
6	Antistatic Device	1	SUS316
7	Body Gasket	1	PTFE/TFM1600/Graphite*
8	Taperseal Stem Seal	1	PTFE/TFM1600/RTFE
9	O-Ring	1	FKM
10	Stem Packing Set	2 or 4	PTFE V- Rings or Graphite*
11	Bushing	2	50% SS+50% PTFE
12	Gland	1	SUS316
13	Belleville Washers	2	SUS301
14	Stem Nut	1	A194-8
15	Stop-Lock Cap	1	SUS304
16	Handle Gland	1	SUS304
17	Handle Nut	1	A194-8
18	Lock Device	1	SUS304
19	Handle	1	SUS304
20	Handle Sleeve	1	Vinyl Plastic
21	Stop Bolt	1	A2-70/SUS304
22	Stop Nut	1	A2-70/SUS304



API 6FA, API 607 5th Edition
ISO 10497 Firesafe Certified

*Firesafe version



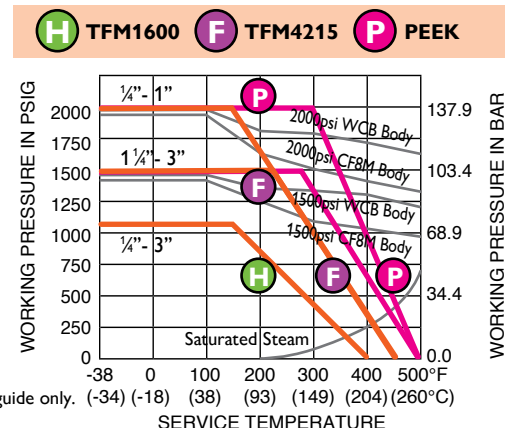
Buttweld Ends

DIMENSIONS & TORQUE

SIZE		A	h	H	L	L1	J	X	Y	TORQUE NM
IN	DN									
1/4"	8	65	9.0	43.1	62	29.0	9	147	74	7
3/8"	10	80	9.0	43.1	62	29.0	9	147	74	8
1/2"	15	100	9.0	43.1	75	34.5	9	147	74	8
3/4"	20	15.0	9.0	50.7	80	37.0	9	147	82	9
1"	25	25.0	11.0	58.5	90	45.0	11	177	90	16
1 1/4"	32	32.0	11.0	63.0	110	51.0	11	177	94	26
1 1/2"	40	38.0	14.0	73.5	120	60.0	14	197	107	37
2"	50	50.0	14.0	83.0	140	70.0	14	197	117	55
2 1/2"	65	63.5	17.0	102.3	185	92.5	17	267	151	85
3"	80	76.0	17.0	110.7	205	102.5	17	267	160	146

P-T RATINGS

Full Bore: 2000 PSI (8~25NB) 1500 PSI (32~80NB)



This catalogue is general in it's nature and design and can vary at any time. This catalogue is to be used as a guide only. (-34) (-18) (38) (93) (149) (204) (260°C)

OILPATCH BUTTERFLY VALVES X-NE-C (X-DEMC-0)



DEMCO STYLE

- Parts fully interchangeable

BLOWOUT PROOF STEM

- Tapered stem shoulder

POSITIVE STEM/DISC ORIENTATION

- Handle indicates disc position.

HIGH FLOW DISC

- No stem boss in the path of line fluid.

INCREASED PRESSURE RANGE

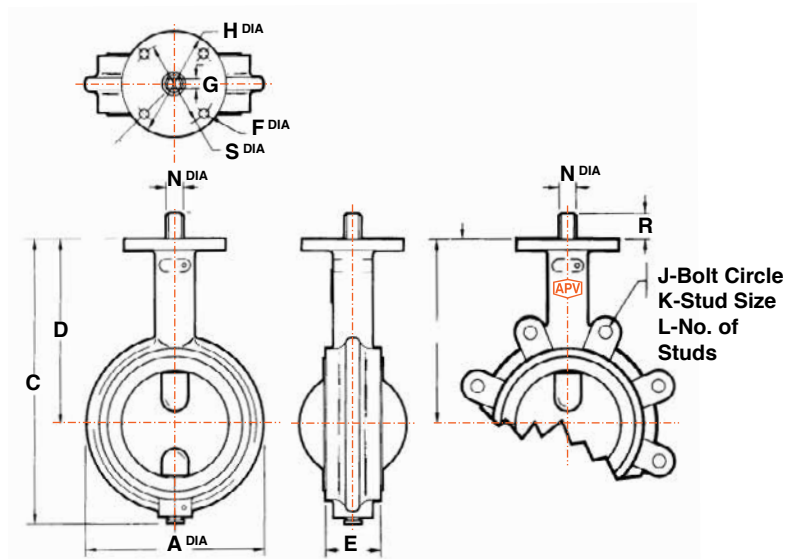
- Standard 200 psi.
- High pressure 285 psi.

LONG NECK

- Available in all body and trim options.

PROVEN DESIGN

- Suit ANSI 125/150 or AS/BS Table D, E Flanging.



DIMENSIONS

Valve Size	A	C	D	E	F	G	H	J	K	L	N	S
2"	4.12	8.44	5.62	1.74	0.408	0.375	4.00				0.625	3.25
2½"	4.88	9.19	6.12	1.86	0.408	0.35	4.00				0.625	3.25
3"	5.38	9.69	6.38	1.86	0.408	0.375	4.00				0.625	3.25
4"	6.88	11	7.12	2.11	0.408	0.375	4.00				0.625	3.25
5"	7.75	12.12	7.75	2.24	0.408	0.500	4.00				0.838	3.25
6"	8.75	13.25	8.25	2.24	0.408	0.500	4.00				0.838	3.25
8"	11	15.56	9.44	2.54	0.533	0.500	6.00				0.838	5.00
10"	13.38	18.69	11.25	2.74	0.533	0.625	6.00				0.963	5.00
12"	16.12	21.69	12.19	3.24	0.533	0.750	6.00				1.338	5.00



OILPATCH PLUG VALVES NON LUBRICATED - LT STYLE

Quarter-turn valves for standard and sour gas services to 20,000 psi. Rugged plug valves 1 to 3 inches and with threaded or detachable Weco[®]* style wing union ends. Used for cementing, fracturing, acidizing and other high-pressure lines which handle slurries, abrasives, drilling muds, chemicals and other similar products. These valves are equivalent to Lo-Torc[®]* style.

Floating segments ensure positive seal

Two seal segments which float slightly to offset possible micro-expansion of the valve body in extreme high-pressure applications and to ensure a positive seal at all times.

Easy operation under pressure

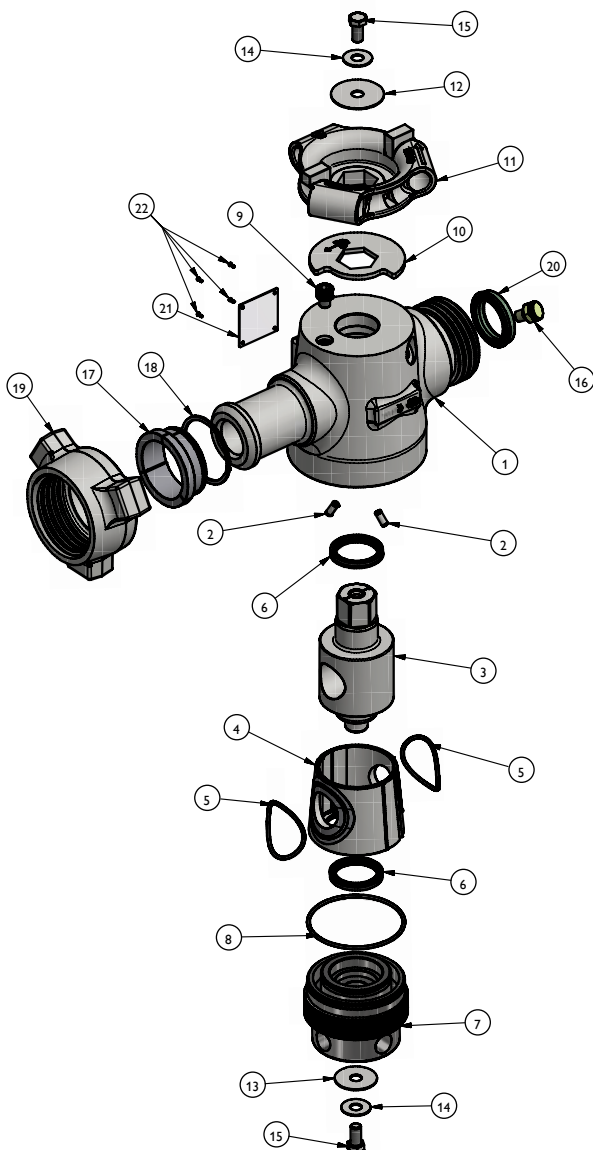
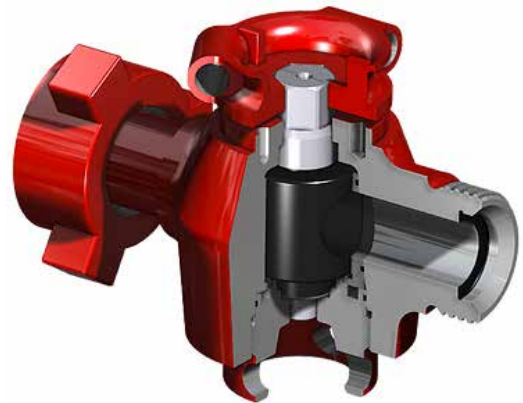
The plug valve's cylindrical plug fits between a set of seal and side segments to prevent the plug from sticking to the valve body, permitting easy operation under pressure.

Visible indication of valve position

A visible, quarter-turn stop on the plug cap indicated clearly when the valve is fully open or fully closed. A detent spring holds the valve in the desired position.

In-line maintenance

Can be rebuilt in-line by replacing the side and seal segments.



MATERIALS

Item	Qty.	Description	Material
1	1	Body	AISI 4130
2	2	Roll Pin	STD.
3	1	Plug	AISI 4130
4	1	Insert Set	AISI 4130
5	2	O-Ring	Viton
6	2	Plug Seal	Viton
7	1	Adjusting Nut	AISI 4130
8	1	O-Ring	Viton
9	1	Bolt, Allen, 1/2" 13 UNC x 1/2"	STD.
10	1	Stop Plate	Mild Steel + ZP
11	1	Handle Actuator	Alloy Steel BS 3100 BT1
12	1	Washer, Plain	Mild Steel + ZP
13	1	Washer, Plain	Mild Steel + ZP
14	2	Washer, Plain	Mild Steel + ZP
15	2	Bolt, Hex, 1/2" 20 UNF x 1"	STD.
16	1	Grease Fitting 1/4" NPT	STD.
17	1	Retainer Segment	AISI 4130
18	1	Retainer, Ring Spiral	STD.
19	1	Nut	AISI 4130
20	1	Seal Ring	Viton
21	1	Name Plate	SS
22	4	Rivet, 3mm X 6mm	STD.

PLUG VALVES

3



SIZE	TYPE	RATED CWP	TYPE CONNECTION
1	1 x 1	5000	1" Female Line Pipe Thread
1	1 x 2	15000	2" Male Line Pipe Thread Long
1	1 x 2 x 1	15000	2" Male LPTL x Female LPT
1	1 x 1	15000	1" Fig. 1502 Female x 1" Fig. 1502 Male
1	1 x 1½	15000	1½" Fig. 1502 Female x 1½" Fig. 1502 Male
1	1 x 2	15000	2" Fig. 1502 Female x 2" Fig. 1502 Male
1	1 x 2	15000	2" Fig. 1502 Female x 2" Fig. 1502 Male
1½	1½ x 1½	10000	1½" Female Line Pipe Thread
1½	1½ x 1½	15000	1½" Fig. 1502 Female x 1½" Fig. 1502 Male
1½	1½ x 2	15000	1½" Fig. 1502 Female x 2" Fig. 1502 Male
2	2 x 2	5000	2" Female Line Pipe Thread Long
2	2 x 2	10000	2" Female Line Pipe Thread Long
2	2 x 2	10000	2" Fig. 1002 Female x 2" Fig. 1002 Male
2	2 x 2	15000	2" Female Line Pipe Thread Long
2	2 x 2	15000	2" Fig. 1502 Female x 2" Fig. 1502 Male
2	2 x 2	15000	2" Fig. 1502 Female x 2" Fig. 1502 Male

3 inch also available.



DIMENSIONAL DETAILS

1" and 2" 5,000 CWP								
A	B	C	D	E	PORT SIZE	THREAD SIZE	APPROX WEIGHT LBS	APPROX WEIGHT KGS
6	2.31	4.62	7.37	4.88	.87	1" LPT	20	9
8.50	3.28	6	8.25	6.81	1.75*	2" LPTL	43	20

*2½" Port model UT also available.

1½" and 2" 10,000 CWP								
A	B	C	D	E	PORT SIZE	THREAD SIZE	APPROX WEIGHT LBS	APPROX WEIGHT KGS
7.31	3.28	6	8.25	6.81	1.30	1½" LPT	55	25
8.50	3.28	6	8.25	6.81	1.75*	2" LPTL	52	24

*2½" Port model UT also available.

2" 15,000 CWP								
A	B	C	D	E	PORT SIZE	THREAD SIZE	APPROX WEIGHT LBS	APPROX WEIGHT KGS
8.50	3.44	6.63	8.50	7.89	1.75	2" LPTL	85	39

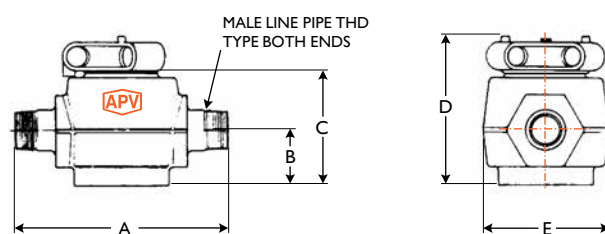
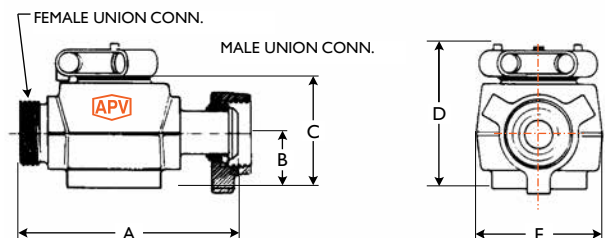
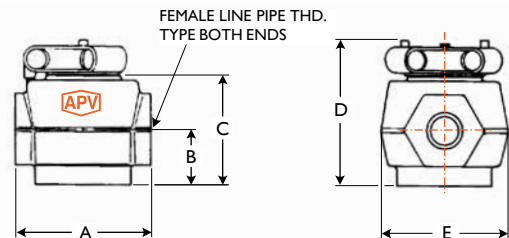
3 inch also available.

1", 1½" and 2" 10,000 and 15,000 CWP								
A	B	C	D	E	PORT SIZE	UNION SIZE	APPROX WEIGHT LBS	APPROX WEIGHT KGS
10.56	2.31	4.62	7.37	4.88	.87	1" - 1502	50	23
10.56	2.31	4.62	7.37	4.88	.87	1½" - 1502	54	24
10.56	2.31	4.62	7.37	4.88	.87	2" - 1502	57	26
10.56	2.31	4.62	7.37	4.88	.87	2" - 1502	57	26
12.63	3.28	6	8.25	6.81	1.30	1½" - 1502	51	23
12.63	3.28	6	8.25	6.81	1.30	1½" F, 2" M	53	24
12.63	3.28	6	8.25	6.81	1.75	2" - 1002	51	23
13.87	3.44	6.63	8.50	7.89	1.75	2" - 1502	100	45

3 inch also available.

2" 15,000 CWP								
A	B	C	D	E	PORT SIZE	THREAD SIZE	APPROX WEIGHT LBS	APPROX WEIGHT KGS
9.13	2.31	4.62	7.37	4.88	.87	2" LPTL	27	12
9.13	2.31	4.62	7.37	4.88	.87	2" M x 1" F	30	14

3 inch also available.





AUSTRALIAN PIPELINE VALVE®

COMPLETE PRODUCT LINE

“Australian Pipeline Valve produces isolation, control and flow reversal protection products for severe and critical service media in utility, steam, pipelines, oil & gas and process industries. APV valves and pipeline products form the most competitive portfolio in the market.”



SUPER-CHECK®



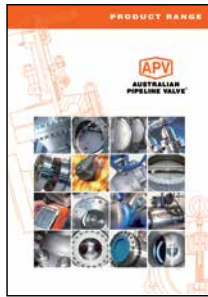
TORQTURN®

TWIN-LOK®

UNIFLO®



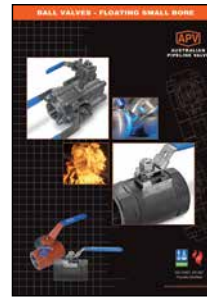
AUSTRALIAN PIPELINE VALVE BRAND RANGE - CATALOGUES



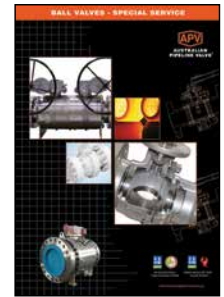
Product Brochure



Ball Valves Floating & Trunnion Mounted



Ball Valves Floating Small Bore



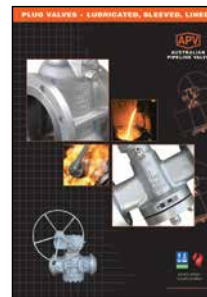
Ball Valves Special Service



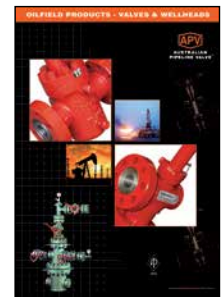
Gate, Globe & Check Valves - Cast Steel



Gate, Globe & Check Valves - Forged Steel



Plug Valves Lubricated, Sleeved & Lined



Oilfield Products Valves & Wellheads

APV FAMILY OF BRANDS RANGE - CATALOGUES



Diamond Gear Gearboxes



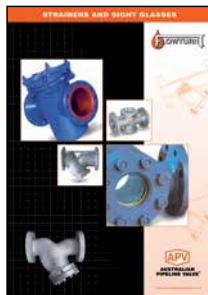
Flowturn Ball Valves Multiway & Deadman



Flowturn Gate, Globe & Check Valves



Flowturn Instrument Valves



Flowturn Strainers & Sight Glasses



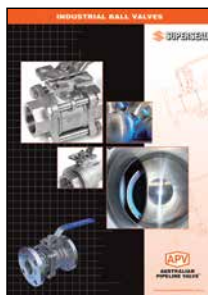
Steamco Steam Valves



Supercheck Wafer Check Valves



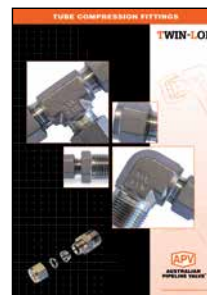
Superseal Butterfly Valves



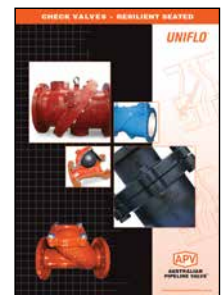
Superseal Industrial Ball Valves



Torqturn Actuators



TwinLok Tube Fittings



Uniflo Check Valves

Contact us for your local stockist/distributor



AUSTRALIAN PIPELINE VALVE®



www.australianpipelinevalve.com.au

LOCAL DISTRIBUTOR

Global Supply Line is distributor & stockist, supplying worldwide.
Full stock list on line www.globalsupplyline.com.au

Contact email: sales@globalsupplyline.com.au



QUALITY ASSURANCE AND CERTIFICATION

We are continually improving all facets of quality assurance. Full metallurgical and test certificates are always supplied for all pressure retaining parts, we also provide it on all major trim components.

We have endeavoured to provide a broad outline of our range and capabilities. Because we are continually developing new products for our customers this catalogue will, to some extent be incomplete. This catalogue is a general overview only, individual drawings and data sheets can be furnished on request.

If you have any requirement in the field of valves, please contact us for a prompt response. Continuous development of Australian Pipeline Valve products may necessitate changes in the design or manufacturing processes. Australian Pipeline Valve reserves the right to effect any such changes without prior notice.

